

POWERED MIXER

EMX5014C

SERVICE MANUAL



- **OPTION (別売品)**
RK5014 RACK MOUNT KIT
(ラックマウントキット)

■ CONTENTS (目次)

| | |
|---|-------|
| SPECIFICATIONS (総合仕様) | 3/5 |
| PANEL LAYOUT (パネルレイアウト) | 7 |
| CIRCUIT BOARD LAYOUT (ユニットレイアウト) | 11 |
| WIRING DIAGRAM (基板結線図) | 12 |
| DIMENSIONS (寸法図) | 13 |
| DISASSEMBLY PROCEDURE (分解手順) | 14 |
| LSI PIN DESCRIPTION (LSI端子機能表) | 25 |
| IC BLOCK DIAGRAM (ICブロック図) | 27 |
| CIRCUIT BOARDS (シート基板図) | 29 |
| INSPECTION (検査) | 55/66 |
| PA UNIT INSPECTION (PAユニット検査) | 77/80 |
| PS CIRCUIT BOARD REPAIR GUIDE (PSシート故障修理ガイド) | 84/94 |
| PARTS LIST | |
| IC & DIODE OUTSIDE FIGURE (外形図) | |
| BLOCK DIAGRAM (ブロックダイアグラム) | |
| CIRCUIT DIAGRAM (回路図) | |



このサービスマニュアルはエコバルブ
(ECF: 無塩素系漂白バルブ) を使用しています。
This document is printed on chlorine free (ECF) paper

PA 011817

EMX5014C 200604-131250
RK5014 200604-005250

YAMAHA
HAMAMATSU, JAPAN

Copyright (c) Yamaha Corporation All rights reserved. 06 03

IMPORTANT NOTICE

This manual has been provided for the use of authorized Yamaha Retailers and their service personnel. It has been assumed that basic service procedures inherent to the industry, and more specifically Yamaha Products, are already known and understood by the users, and have therefore not been restated.

WARNING: Failure to follow appropriate service and safety procedures when servicing this product may result in personal injury, destruction of expensive components and failure of the product to perform as specified. For these reasons, we advise all Yamaha product owners that all service required should be performed by an authorized Yamaha Retailer or the appointed service representative.

IMPORTANT: This presentation or sale of this manual to any individual or firm does not constitute authorization, certification, recognition of any applicable technical capabilities, or establish a principal-agent relationship of any form.

The data provided is believed to be accurate and applicable to the unit (s) indicated on the cover. The research engineering, and service departments of Yamaha are continually striving to improve Yamaha products. Modifications are, therefore, inevitable and changes in specification are subject to change without notice or obligation to retrofit. Should any discrepancy appear to exist, please contact the distributor's Service Division.

WARNING: Static discharges can destroy expensive components. Discharge any static electricity your body may have accumulated by grounding yourself to the ground bus in the unit (heavy gauge black wires connect to this bus).

IMPORTANT: Turn the unit OFF during disassembly and parts replacement. Recheck all work before you apply power to the unit.

WARNING: CHEMICAL CONTENT NOTICE!

The solder used in the production of this product contains LEAD. In addition, other electrical/electronic and/or plastic (Where applicable) components may also contain traces of chemicals found by the California Health and Welfare Agency (and possibly other entities) to cause cancer and/or birth defects or other reproductive harm.

DO NOT PLACE SOLDER, ELECTRICAL/ELECTRONIC OR PLASTIC COMPONENTS IN YOUR MOUTH FOR ANY REASON WHATSOEVER!

Avoid prolonged, unprotected contact between solder and your skin! When soldering, do not inhale solder fumes or expose eyes to solder/flux vapor!

If you come in contact with solder or components located inside the enclosure of this product, wash your hands before handling food.

IMPORTANT NOTICE FOR THE UNITED KINGDOM

Connecting the Plug and Cord

IMPORTANT. GREEN-AND-YELLOW: EARTH
BLUE: NEUTRAL
BROWN: LIVE


As the colours of the wires in the mains lead of this apparatus may not correspond with the coloured markings identifying the terminals in your plug proceed as follows:


The wire which is coloured GREEN-and-YELLOW must be connected to the terminal in the plug which is marked by the letter E or by the safety earth symbol or colored GREEN or GREEN-and-YELLOW.

The wire which is coloured BLUE must be connected to the terminal which is marked with the letter N or coloured BLACK.

The wire which is coloured BROWN must be connected to the terminal which is marked with the letter L or coloured RED.

■ WARNING

Components having special characteristics are marked  and must be replaced with parts having specification equal to those originally installed.

 印の部品は、安全を維持するために重要な部品です。交換する場合は、安全のために必ず指定の部品をご使用ください。

SPECIFICATIONS

General Specifications

| | | | MIN | TYP | MAX | UNIT |
|--|---------------------------|---|------------------------------|------|------|------|
| Maximum Output Power (SPEAKERS) | (RL=4 ohms) | Both ch drive, 1kHz, THD+N ≤ 0.5% | 500 | | | W |
| | (RL=8 ohms) | | 350 US,AU) 320 (EU) | | | |
| Total Harmonic Distortion (THD+N) 20 Hz-20 kHz | (ST, ST SUB, AUX, EFFECT) | +14dBu output into 600 ohms | | | 0.3 | % |
| | (REC) | 0 dBV output into 10 kohms | | | 0.5 | % |
| Frequency Response | (ST, ST SUB, AUX, EFFECT) | GAIN at minimum level, PAD=OFF, 20Hz-20kHz, nominal output level @ 1kHz | -3.0 | 0.0 | 1.0 | dB |
| | (SPEAKERS) | | -3.0 | 0.0 | 1.0 | dB |
| EIN=Equivalent Input Noise | CH1-CH6(ST OUT) | GAIN at maximum level, 20Hz-20kHz | | | -128 | dBu |
| Residual Output Noise | (SPEAKERS) | | | | -68 | dBu |
| | (ST, ST SUB, AUX) | | | | -95 | dBu |
| Crosstalk @ 1kHz | | adjacent inputs | | | -68 | dB |
| | | input to output | | | -68 | dB |
| Maximum Voltage Gain @1kHz | | CH MIC INPUT → SPEAKERS | | 109 | | dB |
| | | CH MIC INPUT → ST OUT | | 84 | | dB |
| | | CH MIC INPUT → AUX SEND (PRE), ST SUB | | 80 | | dB |
| | | CH MIC INPUT → AUX SEND (POST) | | 90 | | dB |
| | | CH MIC INPUT → EFFECT SEND | | 78 | | dB |
| | | CH MIC INPUT → REC OUT | | 62.2 | | dB |
| Phantom Voltage | (CHs 1-6, 7/8, 9/10) | No load | | 48 | | V DC |

Output impedance of signal generator: 150 ohms

| | | |
|--|--|--|
| Monaural/Stereo channel Equalizer ± 15 dB (Maximum Variation) Turn over/roll-off frequency of shelving, 3 dB below maximum variable level. | HIGH | 10kHz (peaking) |
| | MID (MONO) | 250-5kHz (peaking) |
| | MID (ST) | 2.5kHz (peaking) |
| | LOW | 100Hz (shelving) |
| PEAK Indicator | On each channel: indicator lights if post-EQ signal (on ST channels, if either post-EQ signal or post-mic-amp signal) comes within 3 dB of the clipping level. | |
| SIGNAL Indicator | On each channel: indicator lights if post-EQ signal (on ST channels, if either post-EQ signal or post-mic-amp signal) reaches -10 dB. | |
| FCL Indicator | Input signal level: -75dB | |
| LEVEL meter | (ST, PFL/AFL) | Two 12-points LED level meter (PEAK, +5, +3, +1.0, -1, -3, -5, -7, -10, -15, -20 dB) PEAK lights if the signal comes within 3 dB of the clipping level. |
| Graphic Equalizer | (ST OUT) | 9 band (63, 125, 250, 500, 1k, 2k, 4k, 8k, 16 kHz) ±12 dB (Maximum Variation) |
| Internal Digital Effect | 16 programs, Parameter control | |
| | Foot Switch (Internal Effect ON/OFF) | |
| Power Amplifier Protection | POWER Switch on/off mute | |
| | DC-fault: power supply shutdown/manual reset | |
| | Thermal/heatsink temp ≥ 90°C: output mute/auto reset | |
| | VI limiter /RL ≤ 2 ohms | |
| | Clip limiter/THD ≥ 1 % , Indicator × 2 | |
| Power Supply Protection | Thermal/heatsink temp ≥ 100°C: power supply shutdown/manual reset | |
| Cooling | Dual variable-speed fan | |

| | | MIN | TYP | MAX | UNIT |
|-------------------|--------|-----|------|-----|------|
| Power Consumption | | | 500 | | W |
| AC Cord | Length | | 2500 | | mm |
| Dimensions | Height | | 155 | | mm |
| | Depth | | 493 | | mm |
| | Width | | 444 | | mm |
| Weight | | | 10.5 | | kg |

* These specifications apply to rated power supplies of 120V, 230V and 240V.

• Input Characteristics

| Input Terminals | PAD | GAIN | Actual Load Impedance | For Use with Nominal | Input Level | | | Connector |
|----------------------------|-------|--------|-----------------------|----------------------|-----------------------|-----------------------|----------------------|-------------------------------|
| | | | | | Sensitivity *2 | Nominal | Max. before Clip | |
| CH INPUT A 1-6 | 0 dB | -60 dB | 3 kohms | 50-600 ohms Mics | -80 dBu (0.078 mV) | -60 dBu (0.775 mV) | -40 dBu (7.75 mV) | XLR-3-31 type *3 |
| | | -16 dB | | | -36 dBu (12.3 mV) | -16 dBu (123 mV) | +4 dBu (1.23 V) | |
| | 26 dB | -34 dB | | | -54 dBu (1.55 mV) | -34 dBu (15.5 mV) | -14 dBu (155 mV) | |
| | | +10 dB | | | -10 dBu (245 mV) | +10 dBu (2.45 V) | +30 dBu (24.5 V) | |
| CH INPUT B 1-6 | 0 dB | -60 dB | 10 kohms | 600 ohms Lines | -80 dBu (0.078 mV) | -60 dBu (0.775 mV) | -40 dBu (7.75 mV) | Phone Jack *4 |
| | | -16 dB | | | -36 dBu (12.3 mV) | -16 dBu (123 mV) | +4 dBu (1.23 V) | |
| | 26 dB | -34 dB | | | -54 dBu (1.55 mV) | -34 dBu (15.5 mV) | -14 dBu (155 mV) | |
| | | +10 dB | | | -10 dBu (245 mV) | +10 dBu (2.45 V) | +30 dBu (24.5 V) | |
| ST CH INPUT B 7/8-9/10 | - | -60 dB | 3 kohms | 50-600 ohms Mics | -80 dBu (0.078 mV) | -60 dBu (0.775 mV) | -40 dBu (7.75 mV) | XLR-3-31 type *3 |
| | | -16 dB | | | -36 dBu (12.3 mV) | -16 dBu (123 mV) | -10 dBu (245 mV) | |
| | - | -34 dB | 10 kohms | 600 ohms Lines | -54 dBu (1.55 mV) | -34 dBu (15.5 mV) | -14 dBu (155 mV) | Phone Jack *5 |
| | | +10 dB | | | -10 dBu (245 mV) | +10 dBu (2.45 V) | +30 dBu (24.5 V) | |
| ST CH INPUT 11/12-13/14 | - | -34 dB | 10 kohms | 600 ohms Lines | -54 dBu (1.55 mV) | -34 dBu (15.5 mV) | -14 dBu (155 mV) | Phone Jack *5 RCA Pin Jack |
| | | +10 dB | | | -10 dBu (245 mV) | +10 dBu (2.45 V) | +30 dBu (24.5 V) | |
| CH INSERT IN(1-6) | - | - | 10 kohms | 600 ohms Lines | -20 dBu (77.5 mV) | 0 dBu (0.775 V) | +20 dBu (7.75 V) | Phone Jack *5 |

*1 0 dBu is referenced to 0.775 Vrms.

*2 Input sensitivity: the lowest level that will produce an output of +4 dBu(1.23 V), or the nominal output level when the unit is set to maximum level. (All faders and level controls are at maximum position.)

*3 XLR-3-31 type connectors are balanced. (1/Sleeve=GND, 2/Tip=HOT, 3/Ring=COLD)

*4 Phone Jacks are balanced. (Tip=HOT, Ring=COLD, Sleeve=GND)

*5 Phone Jacks are unbalanced.

• Output Characteristics

| Output Terminals | Actual Source Impedance | For Use with Nominal | Output Level | | Connector |
|-------------------|-------------------------|----------------------|------------------|------------------|--------------------------|
| | | | Nominal | Max. before Clip | |
| ST OUT [L, R] | 150 ohms | 600 ohms Lines | +4 dBu (1.23 V) | +20 dBu (7.75 V) | Phone Jack *2 |
| ST SUB OUT [L, R] | 150 ohms | 600 ohms Lines | +4 dBu (1.23 V) | +20 dBu (7.75 V) | Phone Jack *2 |
| AUX SEND 1, 2 | 150 ohms | 600 ohms Lines | +4 dBu (1.23 V) | +20 dBu (7.75 V) | Phone Jack *2 |
| EFFECT SEND | 150 ohms | 600 ohms Lines | +4 dBu (1.23 V) | +20 dBu (7.75 V) | Phone Jack *2 |
| CH INSERT OUT 1-6 | 600 ohms | 10 kohms Lines | 0 dBu (0.775 V) | +20 dBu (7.75 V) | Phone Jack *2 |
| REC OUT [L, R] | 600 ohms | 10 kohms Lines | -10 dBV (316 mV) | +10 dBV (3.16 V) | RCA Pin Jack |
| PHONES [L, R] | 100 ohms | 8 ohms/40 ohms Lines | 1 mW/3 mW | 20 mW/75 mW | Phone Jack (TRS) |
| SPEAKER OUT | 0.1 ohms | 4 ohms Speakers | 125 W | 500 W | SPEAKON Phone Jack *2 |

*1 0 dBu is referenced to 0.775 Vrms. 0 dBV is referenced to 1 Vrms.

*2 Phone Jacks are unbalanced.

■ 総合仕様

・ 一般仕様

| | | 最小 | 標準 | 最大 | 単位 | | | |
|--------------------------------|---------------------------------------|---|----|------|------|-----|------|------|
| 最大出力 (SPEAKERS) | (RL=4 ohms) | 500 | | | W | | | |
| | (RL=8 ohms) | 370 | | | | | | |
| 全高調波歪率 (THD+N) 20 Hz-20 kHz | (ST, ST SUB, AUX, EFFECT) | +14dBu 600 ohms 出力 | | | 0.3 | % | | |
| | (REC) | 0 dBV 10 kohms 出力 | | | 0.5 | % | | |
| 周波数特性 | (ST, ST SUB, AUX, EFFECT) | GAIN= 最小レベル, PAD=OFF, 20Hz-20kHz, ノミナル出力レベル @ 1kHz | | | -3.0 | 0.0 | 1.0 | dB |
| | (SPEAKERS) | | | | -3.0 | 0.0 | 1.0 | dB |
| 入力換算ノイズ | CH1-CH6 (ST OUT) | GAIN= 最大レベル, 20Hz-20kHz | | | | | -128 | dBu |
| 残留ノイズ | (SPEAKERS) | | | | | | -68 | dBu |
| | (ST, ST SUB, AUX) | | | | | | -95 | dBu |
| クロストーク@ 1 kHz | 入力チャンネル間 | | | | | | -68 | dB |
| | 入出力チャンネル間 | | | | | | -68 | dB |
| 最大電圧ゲイン @1 kHz | CH MIC INPUT → SPEAKERS | | | 109 | | | | dB |
| | CH MIC INPUT → ST OUT | | | 84 | | | | dB |
| | CH MIC INPUT → AUX SEND (PRE), ST SUB | | | 80 | | | | dB |
| | CH MIC INPUT → AUX SEND (POST) | | | 90 | | | | dB |
| | CH MIC INPUT → EFFECT SEND | | | 78 | | | | dB |
| | CH MIC INPUT → REC OUT | | | 62.2 | | | | dB |
| ファンタム電源 | (CHs 1-6, 7/8, 9/10) | 負荷なし | | | 48 | | | V DC |

シグナルジェネレーターの出力インピーダンスは 150 ohms

| | | |
|--|---|---|
| モノラル/ステレオチャンネルイコライザー ± 15 dB(最大可変幅) シェルピングタイプのターンオーバー/ロールオフ周波数: 最大可変幅に対して 3 dB 下がったポイント | HIGH | 10kHz (ピーキングタイプ) |
| | MID(MONO) | 250-5kHz (ピーキングタイプ) |
| | MID(ST) | 2.5kHz (ピーキングタイプ) |
| | LOW | 100Hz (シェルピングタイプ) |
| PEAK インジケーター | 各チャンネル: イコライザー後 (ステレオチャンネルは、イコライザー後または MIC アンプ後) の信号のレベルが、クリッピング手前 3 dB に達すると点灯 | |
| SIGNAL インジケーター | 各チャンネル: イコライザー後の信号のレベルが、- 10 dB に達すると点灯 | |
| FCL インジケーター | 入力信号レベル: - 75dB | |
| レベルメーター | (ST, PFL/AFL) | 12- ポイント LED レベルメーター (PEAK, + 5, + 3, + 1.0, - 1, - 3, - 5, - 7, - 10, - 15, - 20 dB) クリッピング手前 3 dB に達すると赤く点灯。 |
| グラフィックイコライザー | (ST OUT) | 9 バンド (63, 125, 250, 500, 1k, 2k, 4k, 8k, 16 kHz) ± 12 dB(最大可変幅) |
| 内蔵デジタルエフェクト | 16 プログラム, Parameter コントロール フットスイッチ (内蔵エフェクト ON/OFF) | |
| パワーアンプ保護回路 | POWER スイッチ on/off ミュート | |
| | DC 検知: 電源シャットダウン/自動復帰なし | |
| | 温度/ヒートシンク温度 ≥ 90 °C: 出力ミュート/自動復帰 | |
| | VI リミッター /RL ≤ 2 ohms Clip インジケーター/THD ≥ 1 %, インジケーター × 2 | |
| 電源保護回路 | 温度/ヒートシンク温度 ≥ 100 °C: 電源シャットダウン/自動復帰なし | |
| クーリング | 連続可変式ファン (デュアル) | |

| | | 最小 | 標準 | 最大 | 単位 |
|--------|----|----|------|----|----|
| 消費電力 | | | 500 | | W |
| 電源コード | 長さ | | 2500 | | mm |
| 最大外形寸法 | 高さ | | 155 | | mm |
| | 奥行 | | 493 | | mm |
| | 幅 | | 444 | | mm |
| 質量 | | | 10.5 | | kg |

・ 入力仕様

| 入力端子名称 | PAD | GAIN | 入力インピーダンス | 適合インピーダンス | 入力レベル | | | 端子仕様 |
|----------------------------|----------|---------|-----------|-------------------|------------------------|------------------------|-----------------------|----------------------|
| | | | | | 感度*2 | ノミナルレベル | 最大ノンクリップレベル | |
| CH INPUT A 1-6 | 0 dB | - 60 dB | 3 kohms | 50 - 600 ohms マイク | - 80 dBu (0.078 mV) | - 60 dBu (0.775 mV) | - 40 dBu (7.75 mV) | XLR-3-31 タイプ*3 |
| | | - 16 dB | | | - 36 dBu (12.3 mV) | - 16 dBu (123 mV) | + 4 dBu (1.23 V) | |
| | 26 dB | - 34 dB | | | - 54 dBu (1.55 mV) | - 34 dBu (15.5 mV) | - 14 dBu (155 mV) | |
| | | +10 dB | | | - 10 dBu (245 mV) | +10 dBu (2.45 V) | + 30 dBu (24.5 V) | |
| CH INPUT B 1-6 | 0 dB | - 60 dB | 10 kohms | 600 ohms ライン | - 80 dBu (0.078 mV) | - 60 dBu (0.775 mV) | - 40 dBu (7.75 mV) | フォーン端子*4 |
| | | - 16 dB | | | - 36 dBu (12.3mV) | - 16 dBu (123 mV) | + 4 dBu (1.23 V) | |
| | 26 dB | - 34 dB | | | - 54 dBu (1.55 mV) | - 34 dBu (15.5 mV) | - 14 dBu (155 mV) | |
| | | +10 dB | | | - 10 dBu (245 mV) | + 10dBu (2.45 V) | + 30 dBu (24.5 V) | |
| ST CH INPUT 7/8-9/10 | - | - 60 dB | 3 kohms | 50 - 600 ohms マイク | - 80 dBu (0.078 mV) | - 60 dBu (0.775 mV) | - 40 dBu (7.75 mV) | XLR-3-31 タイプ*3 |
| | | - 16 dB | | | - 36 dBu (12.3mV) | - 16 dBu (123 mV) | - 10 dBu (245 mV) | |
| | - | - 34 dB | 10 kohms | 600 ohms ライン | - 54 dBu (1.55 mV) | - 34 dBu (15.5 mV) | - 14 dBu (155 mV) | フォーン端子*5 |
| | | +10 dB | | | - 10 dBu (245 mV) | + 10dBu (2.45 V) | + 30 dBu (24.5 V) | |
| ST CH INPUT 11/12-13/14 | - | - 34 dB | 10 kohms | 600 ohms マイク | - 54 dBu (1.55 mV) | - 34 dBu (15.5 mV) | - 14 dBu (155 mV) | フォーン端子*5 RCA ピン端子 |
| | | +10 dB | | | - 10 dBu (245 mV) | + 10dBu (2.45 V) | + 30 dBu (24.5 V) | |
| CH INSERT IN(1-6) | - | - | 10 kohms | 600 ohms ライン | - 20 dBu (77.5 mV) | 0 dBu (0.775 V) | + 20 dBu (7.75 V) | フォーン端子*5 |

*1 0 dBu = 0.775 Vrms.

*2 入力感度：すべてのフェーダーとレベルコントロールを最大位置にしたときに、+4 dBu(1.23 V)またはノミナル出力が得られる最小入力レベル

*3 バランス型 XLR-3-31 タイプ端子 (1/Sleeve = GND, 2/Tip = Hot, 3/Ring = COLD)

*4 バランス型フォーン端子 (Tip = HOT, Ring = COLD, Sleeve = GND)

*5 アンバランス型フォーン端子

・ 出力仕様

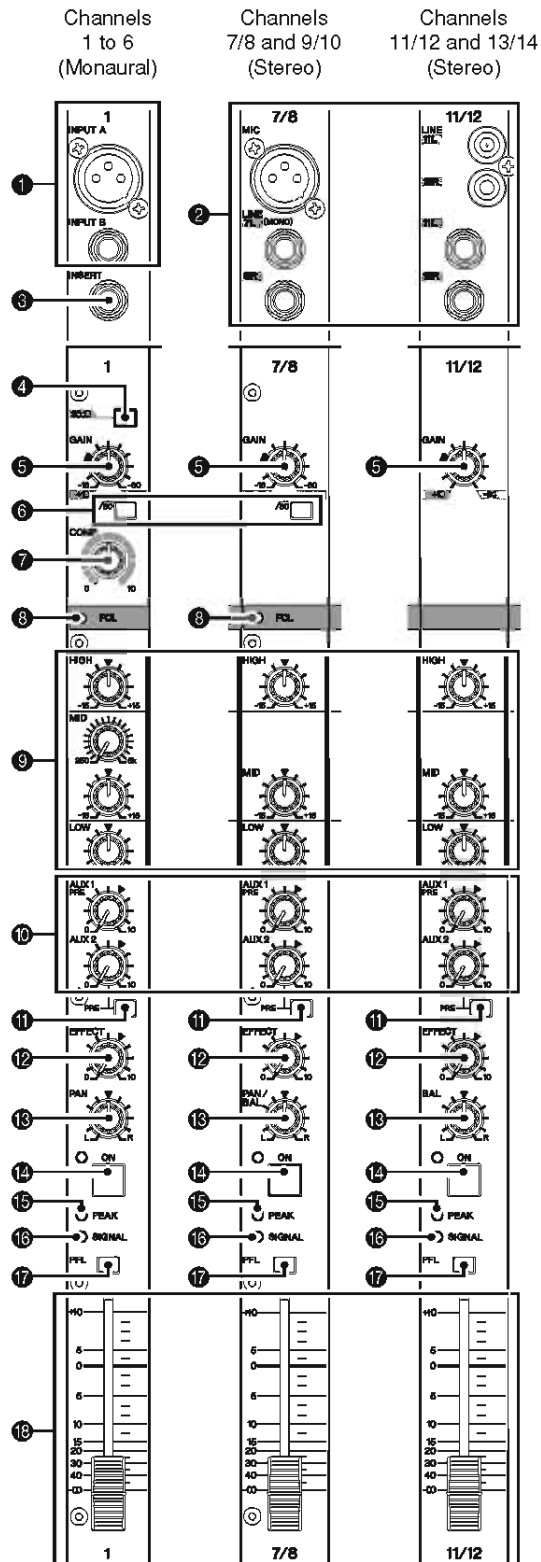
| 出力端子名称 | 出力インピーダンス | 適合インピーダンス | 出力レベル | | 端子仕様 |
|-------------------|-----------|--------------------|----------------------|----------------------|---------------------|
| | | | ノミナルレベル | 最大ノンクリップレベル | |
| ST OUT [L,R] | 150 ohms | 600 ohms ライン | + 4 dBu (1.23 V) | + 20 dBu (7.75 V) | フォーン端子 *2 |
| ST SUB OUT [L,R] | 150 ohms | 600 ohms ライン | + 4 dBu (1.23 V) | + 20 dBu (7.75 V) | フォーン端子 *2 |
| AUX SEND 1, 2 | 150 ohms | 600 ohms ライン | + 4 dBu (1.23 V) | + 20 dBu (7.75 V) | フォーン端子 *2 |
| EFFECT SEND | 150 ohms | 600 ohms ライン | + 4 dBu (1.23 V) | + 20 dBu (7.75 V) | フォーン端子 *2 |
| CH INSERT OUT 1-6 | 600 ohms | 10 kohms ライン | 0 dBV (0.775 V) | + 20 dBu (7.75 V) | フォーン端子 *2 |
| REC OUT [L, R] | 600 ohms | 10 kohms ライン | - 10 dBV (316 mV) | + 10 dBV (3.16 V) | RCA ピン端子 |
| PHONES [L, R] | 100 ohms | 8 ohms/40 ohms ライン | 1 mW/3 mW | 20 mW/75 mW | フォーン端子 (TRS) |
| SPEAKER OUT | 0.1 ohms | 4 ohms Speakers | 125 W | 500 W | スピコン端子 フォーン端子 *2 |

*1 0 dBu=0.775 Vrms, 0 dBV=1 Vrms とする

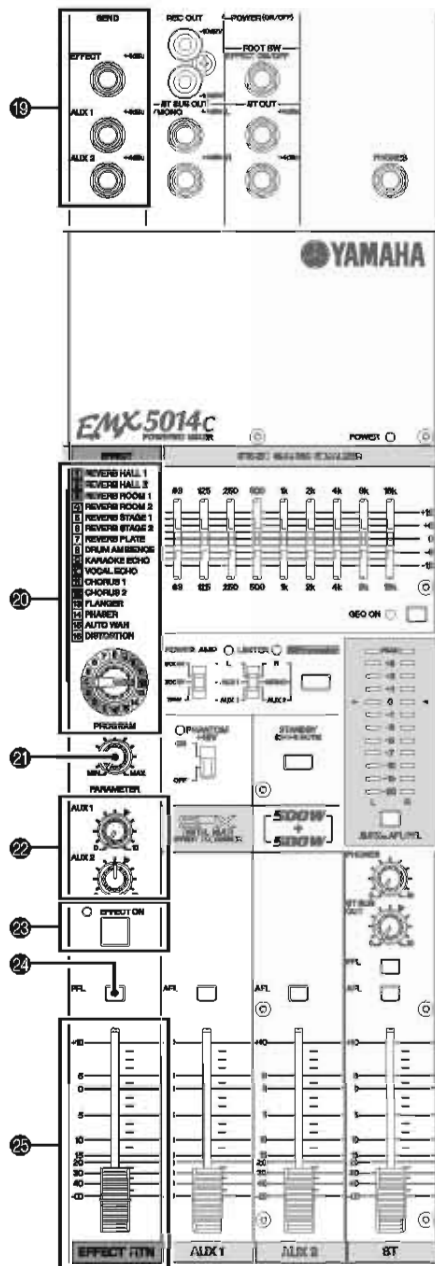
*2 アンバランス型フォーン端子

■ PANEL LAYOUT (パネルレイアウト)

• Controls on Each Channel (各チャンネルコントロール)



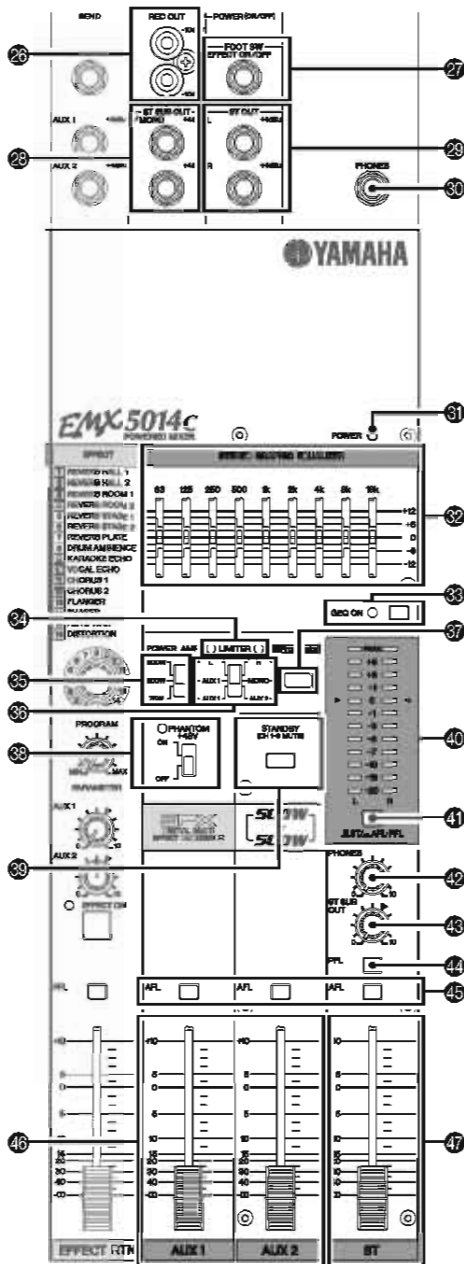
• Digital Effects Section (デジタルエフェクト部)



- ⑲ SEND Jack
- ⑳ PROGRAM Dial
- ㉑ PARAMETER Control
- ㉒ AUX1/2 Controls
- ㉓ EFFECT ON Switch/Indicator
- ㉔ PFL (Pre-Fader Listen) Switch
- ㉕ EFFECT RTN Fader

- ⑲ SEND端子
- ⑳ PROGRAM選択ダイアル
- ㉑ PARAMETERコントロール
- ㉒ AUX 1/2コントロール
- ㉓ EFFECT ONスイッチ/インジケータ
- ㉔ PFLスイッチ (Pre-Fader Listen)
- ㉕ EFFECT RTNフェーダー

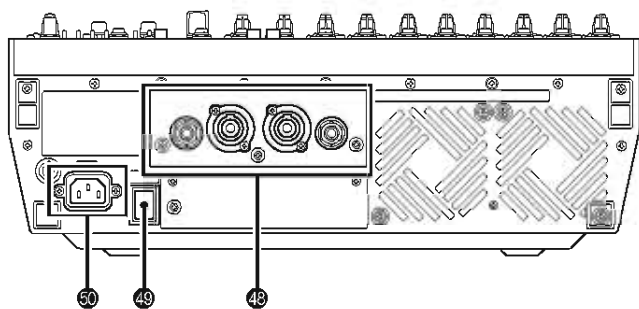
• Master Section (マスター部)



- 26 REC OUT Jacks
- 27 EFF ON/OFF Jack
- 28 ST SUB OUT Jacks
- 29 ST OUT Jacks
- 30 PHONES Jack
- 31 POWER Indicator
- 32 Graphic Equalizer
- 33 GEQ ON Switch
- 34 LIMITER Indicator
- 35 Maximum Output Switch
- 36 POWER AMP Switch
- 37 YS Processing Switch
- 38 PHANTOM Switch and Indicator
- 39 STANDBY Switch
- 40 LEVEL Meters
- 41 ST/AFL-PFL Switch
- 42 PHONES Control
- 43 ST SUB OUT Control
- 44 PFL (Pre-Fader Listen) Switch
- 45 AFL (After-Fader Listen) Switches
- 46 AUX1 and AUX2 Faders
- 47 ST Master Fader

- 26 REC OUT端子
- 27 EFF ON/OFF端子
- 28 ST SUB OUT端子
- 29 ST OUT端子
- 30 PHONES端子
- 31 POWERインジケーター
- 32 GEQ(グラフィックイコライザー)
- 33 GEQ ONスイッチ
- 34 LIMITERインジケーター
- 35 最大出力切り替えスイッチ
- 36 POWER AMP切り替えスイッチ
- 37 YS Processingスイッチ
- 38 PHANTOMスイッチ/インジケーター
- 39 STANDBYスイッチ
- 40 LEVELメーター
- 41 ST/AFL・PFLスイッチ
- 42 PHONESコントロール
- 43 ST SUB OUTコントロール
- 44 PFLスイッチ(Pre-Fader Listen)
- 45 AFLスイッチ(After-Fader Listen)
- 46 AUX1/2フェーダー
- 47 STマスターフェーダー

• Rear Panel (リアパネル)

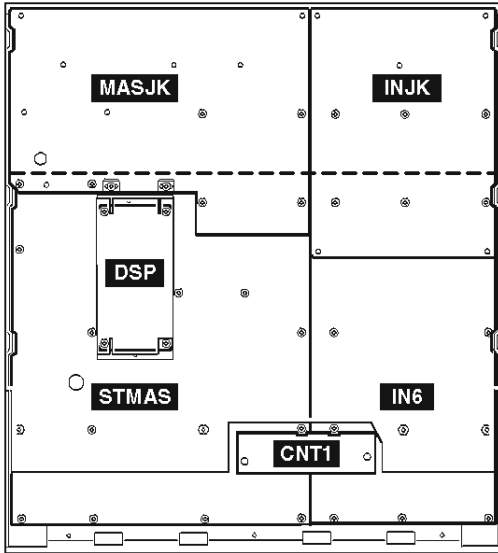


- ④8 SPEAKERS jacks
- ④9 POWER Switch
- ⑤0 AC IN Connector

- ④8 SPEAKERS端子
- ④9 POWERスイッチ
- ⑤0 AC IN端子

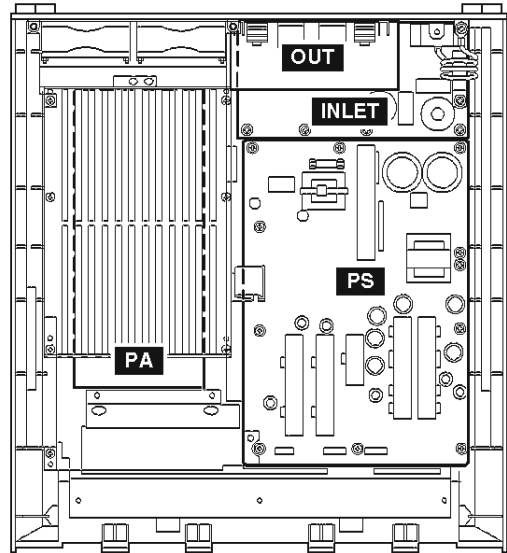
■ CIRCUIT BOARD LAYOUT (ユニットレイアウト)

Rear
(リア)



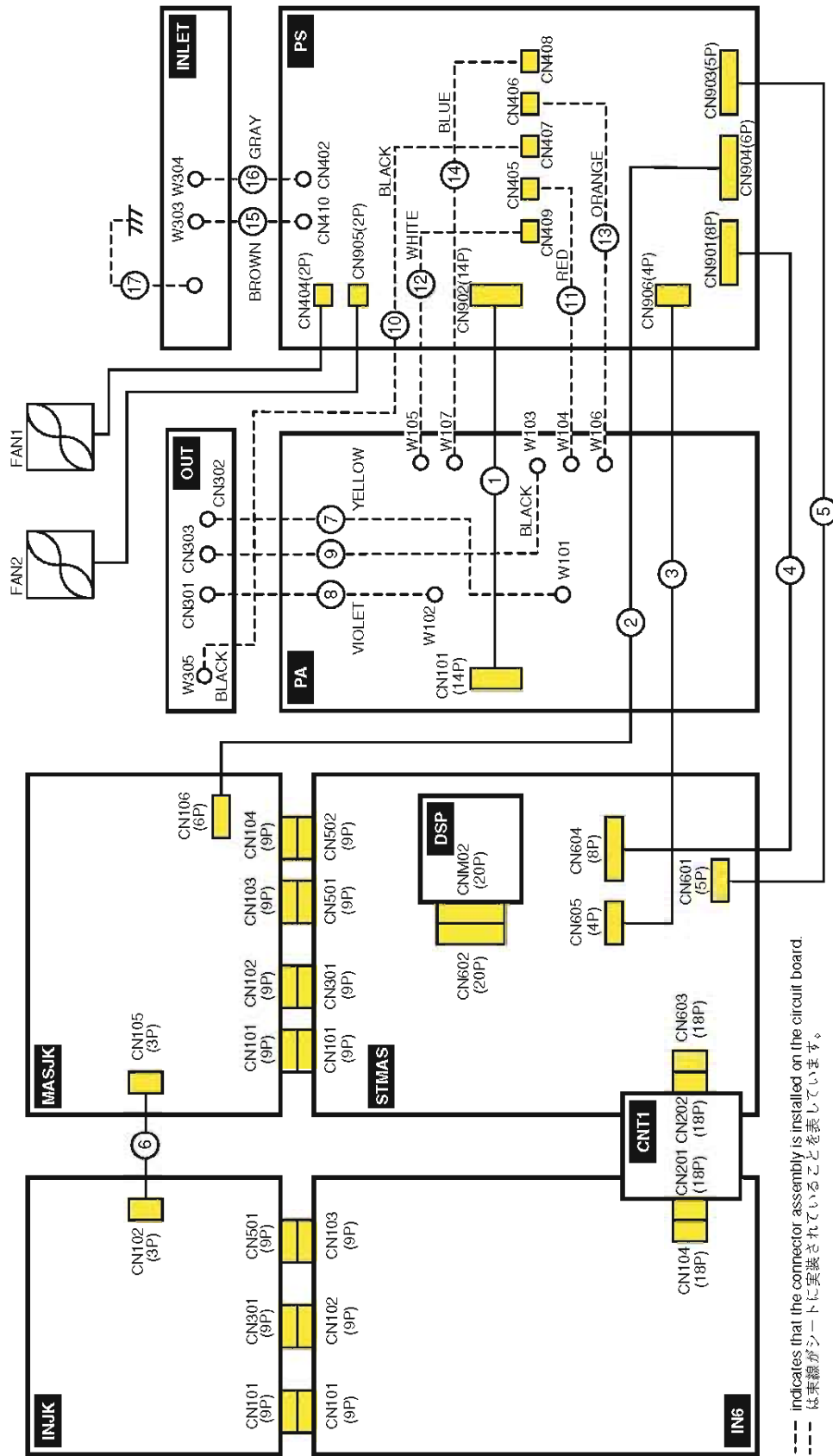
Panel Assembly
(パネルAss'y)

Front
(フロント)



Bottom Assembly
(ボトムAss'y)

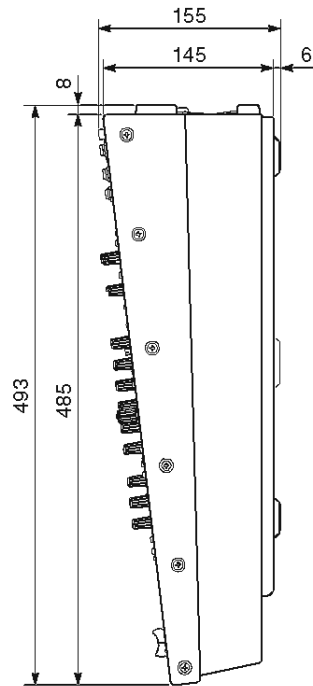
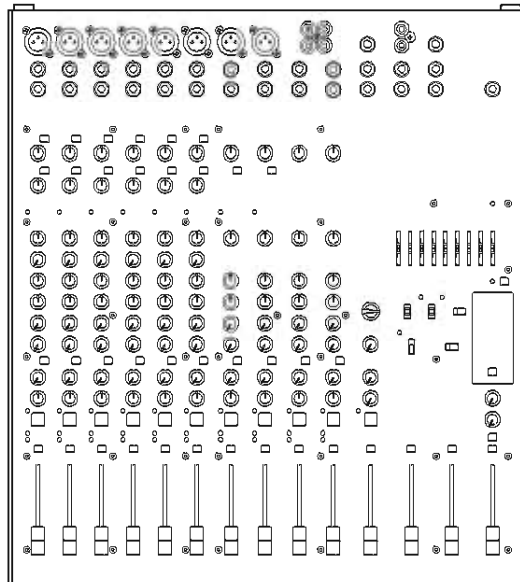
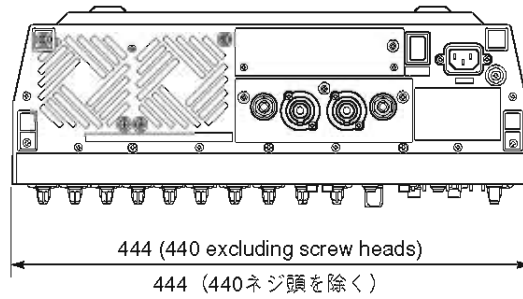
WIRING DIAGRAM (基板結線図)



--- indicates that the connector assembly is installed on the circuit board.
 --- は実線がシートに実装されていることを表しています。

| No. | Part No. | Assembly Name 線材名 | Connection 接続 | Remarks 備考 | No. | Part No. | Assembly Name 線材名 | Connection 接続 | Remarks 備考 |
|-----|----------|------------------------|--------------------------|---------------|-----|----------|---------------------------|-----------------------|---------------|
| ① | WG234700 | Jumper Wire | PA-CN101 ↔ PS-CN902 | 14P-280 | ⑩ | WG094100 | Connector Assembly B&C 束線 | OUT-W305 ↔ PS-CN407 | Black |
| ② | WG312000 | Connector Assembly | MASJK-CN106 ↔ PS-CN904 | 6P-550 | ⑪ | WG093600 | Connector Assembly B&C 束線 | PA-W104 ↔ PS-CN405 | Red |
| ③ | WG456800 | Connector Assembly | STMAS-CN805 ↔ PS-CN906 | SIG | ⑫ | WG094000 | Connector Assembly B&C 束線 | PA-W105 ↔ PS-CN409 | White |
| ④ | WG316000 | Connector Assembly | STMAS-CN804 ↔ PS-CN901 | 8P-400 | ⑬ | WG093700 | Connector Assembly B&C 束線 | PA-W106 ↔ PS-CN406 | Orange |
| ⑤ | WG309500 | Connector Assembly | STMAS-CN801 ↔ PS-CN903 | 5P-350 | ⑭ | WG093800 | Connector Assembly B&C 束線 | PA-W107 ↔ PS-CN408 | Blue |
| ⑥ | WG376000 | Connector Assembly C&C | INJK-CN102 ↔ MASJK-CN105 | 3P-40 | ⑮ | WG094200 | Connector Assembly B&C 束線 | INLET-W303 ↔ PS-CN410 | Brown |
| ⑦ | WG094500 | Connector Assembly B&C | PA-W101 ↔ OUT-CN302 | Yellow | ⑯ | WG094300 | Connector Assembly B&C 束線 | INLET-W304 ↔ PS-CN402 | Grey |
| ⑧ | WG094400 | Connector Assembly B&C | PA-W102 ↔ OUT-CN301 | Violet | ⑰ | WG094900 | Connector Assembly 束線 | INLET-GND | Green/Yellow |
| ⑨ | WG094600 | Connector Assembly B&C | PA-W103 ↔ OUT-CN303 | Black | | | | | |

■ DIMENSIONS (寸法図)



Unit: mm
単位: mm

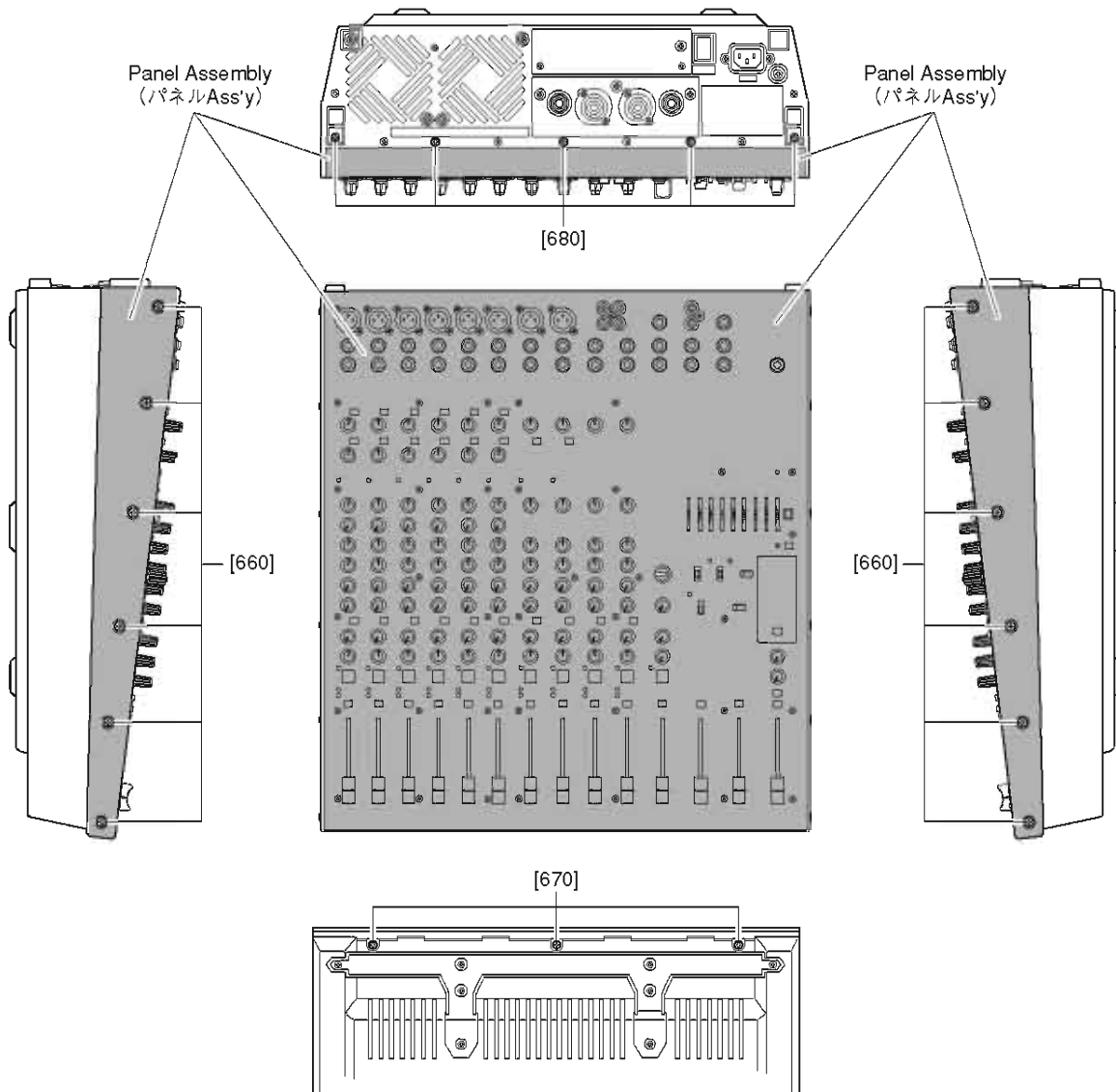
■ DISASSEMBLY PROCEDURES (分解手順)

1. Panel Assembly (Time required: 5 min.)

- 1-1 Remove the three (3) screws marked [670]. (Fig. 1)
- 1-2 Remove the twelve (12) screws marked [660] (6 on the right and 6 on the left). (Fig. 1)
- 1-3 Remove the five (5) screws marked [680]. (Fig. 1)
- 1-4 Slide the panel assembly about 10mm toward the front and lift its rear. Then disconnect the connector of the harness of the panel assembly and remove the harness from the clamps.
- 1-5 The panel assembly can then be removed.

1. パネルAss'y(所要時間：5分)

- 1-1 [670]のネジ3本を外します。(Fig. 1)
- 1-2 [660]のネジ12本(右側6本、左側6本)を外します。(Fig. 1)
- 1-3 [680]のネジ5本を外します。(Fig. 1)
- 1-4 パネルAss'yをフロント側に約10mmスライドさせた後、リア側を持ち上げ、パネルAss'yの束線のコネクターを外し、束線を束線止めから外します。
- 1-5 パネルAss'yを外します。



- [660]: Bind Head Tapping Screw-S 4x8 MFZN2B3 (WE994800) Sタイト+BIND
- [670]: Bind Head Tapping Screw-S 3x8 MFZN2B3 (WF257500) Sタイト+BIND
- [680]: Bind Head Tapping Screw-S 3x8 MFZN2B3 (WF257500) Sタイト+BIND

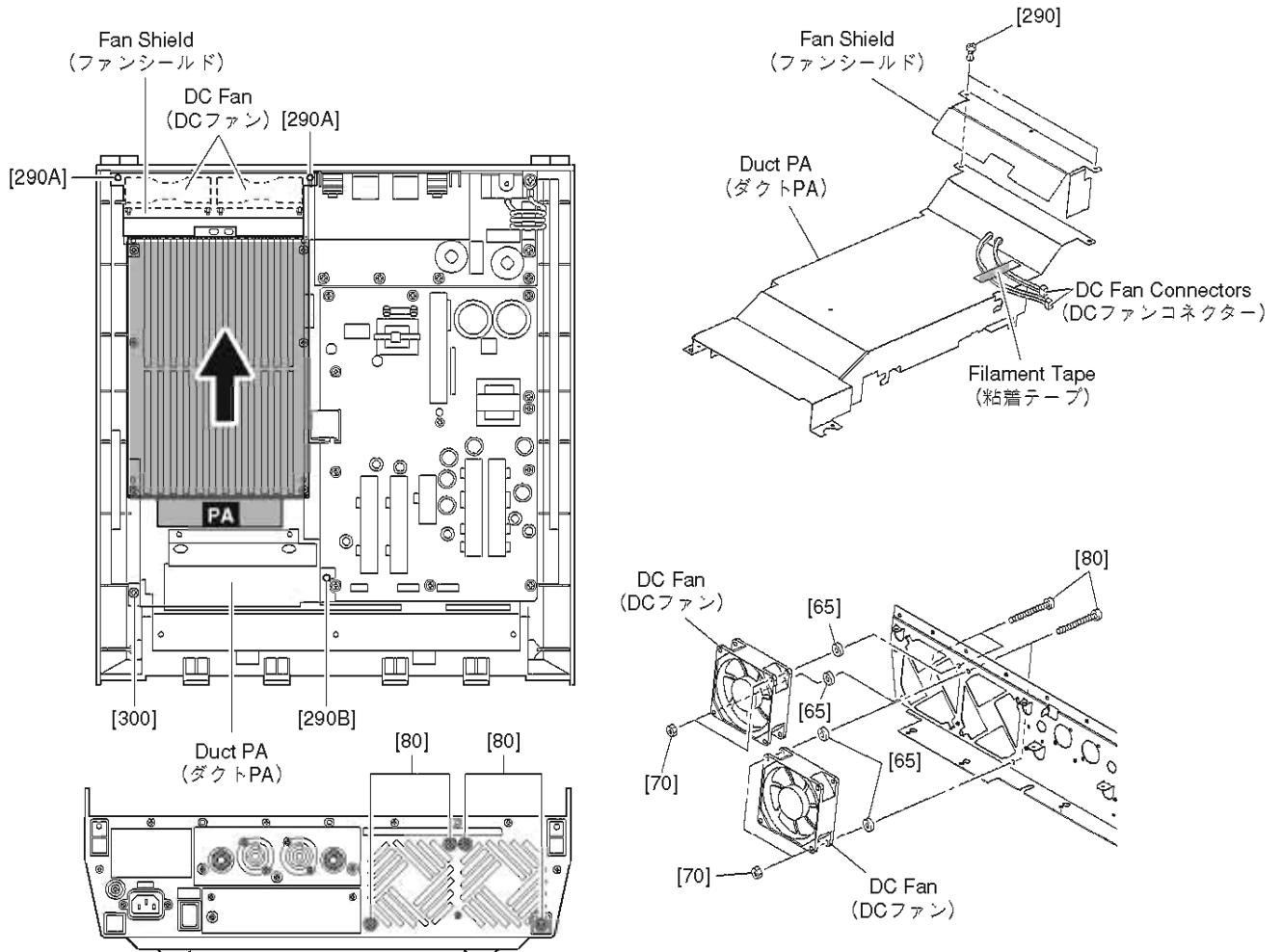
(Fig. 1)

2. DC Fan (Time required: 10min.)

- 2-1 Remove the panel assembly. (See procedure 1.)
- 2-2 Remove the two (2) plastic rivets marked [290A] and remove the fan shield. (Fig. 2)
- 2-3 Remove the screw marked [300] and plastic rivet marked [290B]. (Fig. 2)
- 2-4 Remove the filament tape. (Fig. 2)
- 2-5 Disconnect the connector of the DC fan and pull the harness out of the hole in the duct PA.
- 2-6 Slide the duct PA toward the rear and lift it for removal. (Fig. 2)
- 2-7 Remove the two (2) screws marked [80], two (2) nuts marked [70] and two (2) washers marked [65] per each DC fan. (Fig. 2)
- 2-8 Remove the DC fan.

2. DCファン(所要時間：10分)

- 2-1 パネルAss'yを外します。(1項参照)
- 2-2 [290A]のプラスチックリベット2本を外し、ファンシールドを外します。(Fig.2)
- 2-3 [300]のネジ、[290B]のプラスチックリベットを外します。(Fig.2)
- 2-4 粘着テープを外します。(Fig.2)
- 2-5 DCファンのコネクタを外し、束線をダクトPAの穴から抜きます。
- 2-6 ダクトPAをリア側にスライドさせた後、持ち上げて外します。(Fig.2)
- 2-7 DCファン1台につき[80]のネジ2本、[70]のナット2個、[65]のワッシャー2枚を外します。(Fig.2)
- 2-8 DCファンを外します。



- [65]: Flat Washer (WF578600) ワッシャー
 [70]: Hexagonal Nut M4 #1 (WG169200) 六角ナット
 [80]: Bind Head Screw 4x35 MFZN2B3 (WE999200) 小ネジ+BIND
 [290A/B]: Plastic Rivet NRP-345 (CB815740) プラスチックリベット
 [300]: Bind Head Tapping Screw-P 3x10 MFZN2W3 (WF001000) Pタイト+バインド

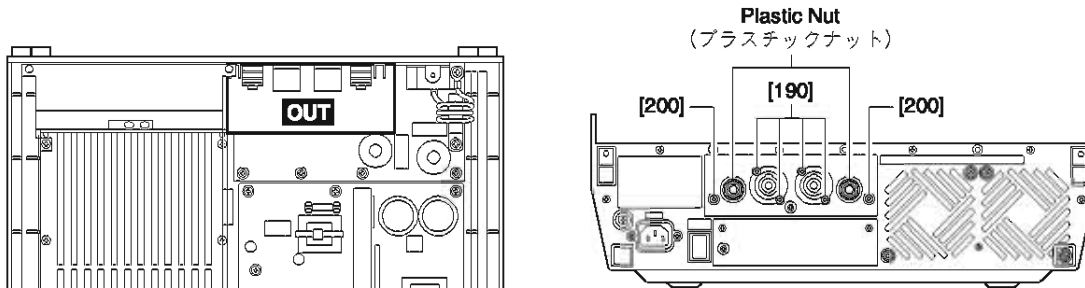
(Fig. 2)

3. OUT Circuit Board (Time required: 10 min.)

- 3-1 Remove the panel assembly. (See procedure 1.)
- 3-2 Remove the four (4) screws marked [190], two (2) screws marked [200] and two (2) plastic nuts. (Fig. 3)
- 3-3 Disconnect the connector of the harness.
- 3-4 The OUT circuit board can then be removed. (Fig. 3)

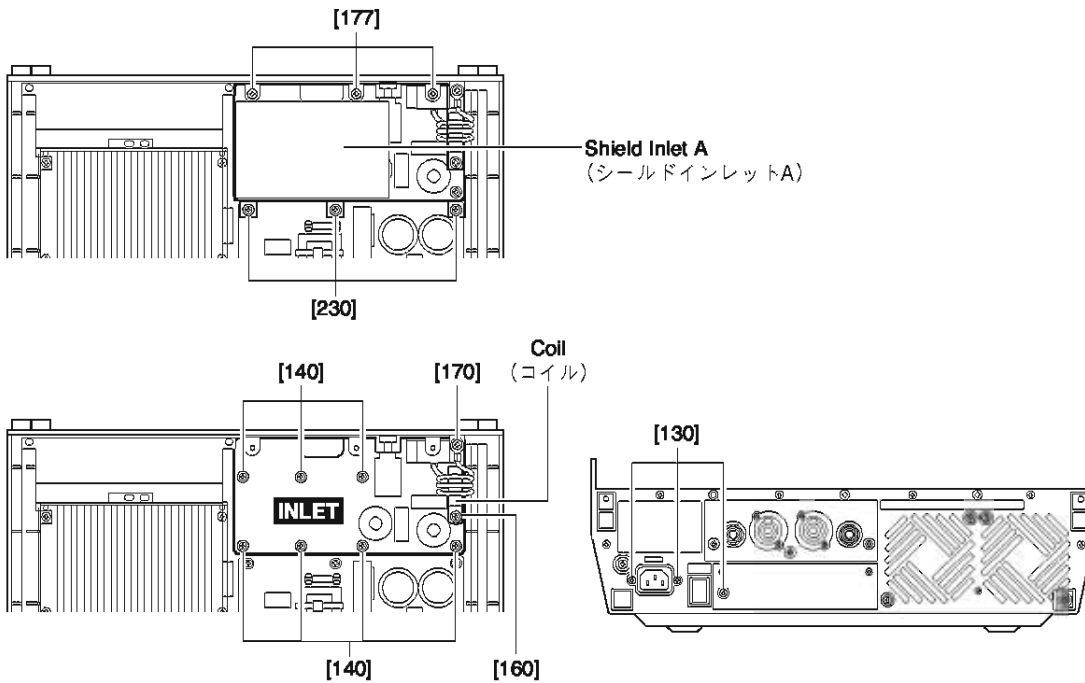
3. OUTシート (所要時間：10分)

- 3-1 パネルAss'yを外します。(1項参照)
- 3-2 [190]のネジ4本、[200]のネジ2本、プラスチックナット2個を外します。(Fig. 3)
- 3-3 束線のコネクターを外します。
- 3-4 OUTシートを外します。(Fig. 3)



- [190]: Flat Fillister H.Tapping 3x8 MFZN2B3 (WF790100) Bタイト+平頭
- [200]: Bind Head Tapping Screw-S 3x8 MFZN2B3 (WF257500) Sタイト+BIND

(Fig. 3)



- [130]: Bind Head Tapping Screw-S 3x8 MFZN2B3 (WF257500) Sタイト+BIND
- [140]: PW Head Tapping Screw-P 3x10-10 MFZN2W3 (WF765500) Pタイト+PWH
- [160]: PW Head Tapping Screw-P 3x10-10 MFZN2W3 (WF765500) Pタイト+PWH
- [170]: Bind Head Tapping Screw-S 4x8 MFZN2W3 (WE941800) Sタイト+BIND
- [177]: Bind Head Tapping Screw-S 3x6 MFZN2W3 (WE877900) Sタイト+BIND
- [230]: PW Head Tapping Screw-P 3x10-10 MFZN2W3 (WF765500) Pタイト+PWH

(Fig. 4)

4. Coil, INLET Circuit Board (Time required: 15 min.)

- 4-1 Remove the panel assembly. (See procedure 1.)
- 4-2 Remove the OUT circuit board. (See procedure 3.)
- 4-3 Remove the three (3) screws marked [230], three (3) screws marked [177] and then remove the shield inlet A with the damper inlet. (Fig. 4)
- 4-4 Remove the screw marked [160] and the screw marked [170] to remove the coil. (Fig. 4)
- 4-5 Remove the three (3) screws marked [130] and seven (7) screws marked [140]. (Fig. 4)
- 4-6 The INLET circuit board can then be removed. (Fig. 4)

4. コイル、INLETシート(所要時間：15分)

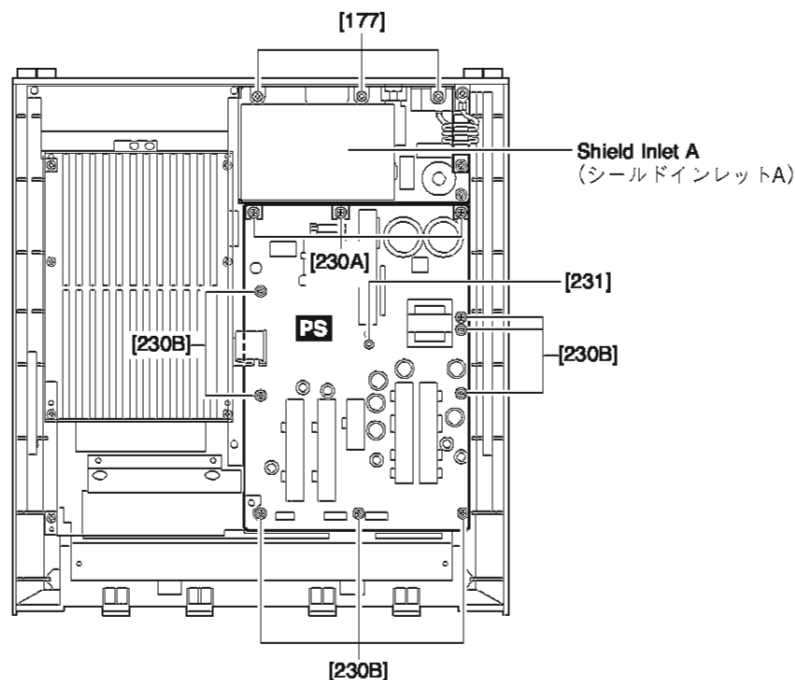
- 4-1 パネルAss'yを外します。(1項参照)
- 4-2 OUTシートを外します。(3項参照)
- 4-3 [230]のネジ3本、[177]のネジ3本を外し、シールドインレットA(ダンパーインレット付き)を外します。(Fig. 4)
- 4-4 [160]のネジ、[170]のネジを外し、コイルを外します。(Fig. 4)
- 4-5 [130]のネジ3本、[140]のネジ7本を外します。(Fig. 4)
- 4-6 INLETシートを外します。(Fig. 4)

5. PS Circuit Board (Time required: 15 min.)

- 5-1 Remove the panel assembly. (See procedure 1.)
- 5-2 Remove the OUT circuit board. (See procedure 3.)
- 5-3 Remove the three (3) screws marked [230A], three (3) screws marked [177] and then remove the shield inlet A with the damper inlet. (Fig. 5)
- 5-4 Remove the eight (8) screws marked [230B] and the screw marked [231]. (Fig. 5)
- 5-5 The PS circuit board can then be removed. (Fig. 5)

5. PSシート(所要時間：15分)

- 5-1 パネルAss'yを外します。(1項参照)
- 5-2 OUTシートを外します。(3項参照)
- 5-3 [230A]のネジ3本、[177]のネジ3本を外し、シールドインレットA(ダンパーインレット付き)を外します。(Fig. 5)
- 5-4 [230B]のネジ8本、[231]のネジを外します。(Fig. 5)
- 5-5 PSシートを外します。(Fig. 5)



- [177]: Bind Head Tapping Screw-S 3x6 MFZN2W3 (WE877900) Sタイト+BIND
- [230A/B]: PW Head Tapping Screw-P 3x10-10 MFZN2W3 (WF765500) Pタイト+PWH
- [231]: Bind Head Tapping Screw-P 3x10 MFZN2W3 (WG776100) Pタイト+BIND

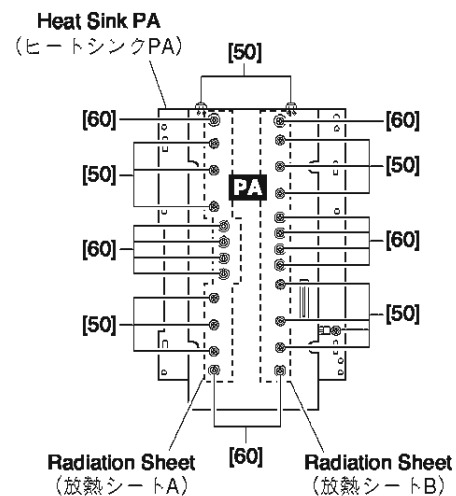
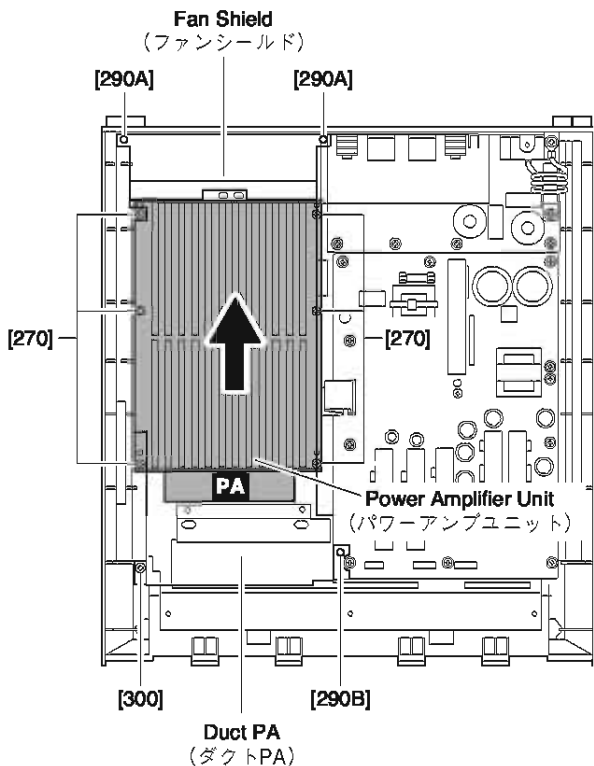
(Fig. 5)

6. PA Circuit Board (Time required: 25 min.)

- 6-1 Remove the panel assembly. (See procedure 1.)
- 6-2 Remove the two (2) plastic rivets marked [290A] and then remove the fan shield. (Fig. 6)
- 6-3 Remove the screw marked [300] and plastic rivet marked [290B]. (Fig. 6)
- 6-4 Disconnect the connector of the DC fan.
- 6-5 Slide the duct PA toward the rear and lift it for removal. (Fig. 6)
- 6-6 Remove the six (6) screws marked [270]. (Fig. 6)
- 6-7 Remove the power amplifier unit. (Fig. 6)
- 6-8 Remove the fifteen (15) screws marked [50] and twelve (12) screws marked [60]. (Fig. 6)
- 6-9 Separate the PA circuit board, radiation sheet A, radiation sheet B and heat sink PA. (Fig. 6)

6. PAシート (所要時間：25分)

- 6-1 パネルAss'yを外します。(1項参照)
- 6-2 [290A]のプラスチックリベット2本を外し、ファンシールドを外します。(Fig. 6)
- 6-3 [300]のネジ、[290B]のプラスチックリベットを外します。(Fig. 6)
- 6-4 DCファンのコネクターを外します。
- 6-5 ダクトPAをリア側にスライドさせた後、持ち上げて外します。(Fig. 6)
- 6-6 [270]のネジ6本を外します。(Fig. 6)
- 6-7 パワーアンプユニットを外します。(Fig. 6)
- 6-8 [50]のネジ15本、[60]のネジ12本を外します。(Fig. 6)
- 6-9 PAシート、放熱シートA、放熱シートB、ヒートシンクPAを分離します。(Fig. 6)



- [50]: Bind Head Screw 3x12 MFZN2W3 (WE877700) 小ネジ+BIND
- [60]: Bind Head Tapping Screw-B 3x8 MFZN2W3 (WE774300) Bタイト+BIND
- [270]: Bind Head Tapping Screw-P 3x10 MFZN2W3 (WF001000) Pタイト+バインド
- [290A/B]: Plastic Rivet NRP-345 (CB815740) プラスチックリベット
- [300]: Bind Head Tapping Screw-P 3x10 MFZN2W3 (WF001000) Pタイト+バインド

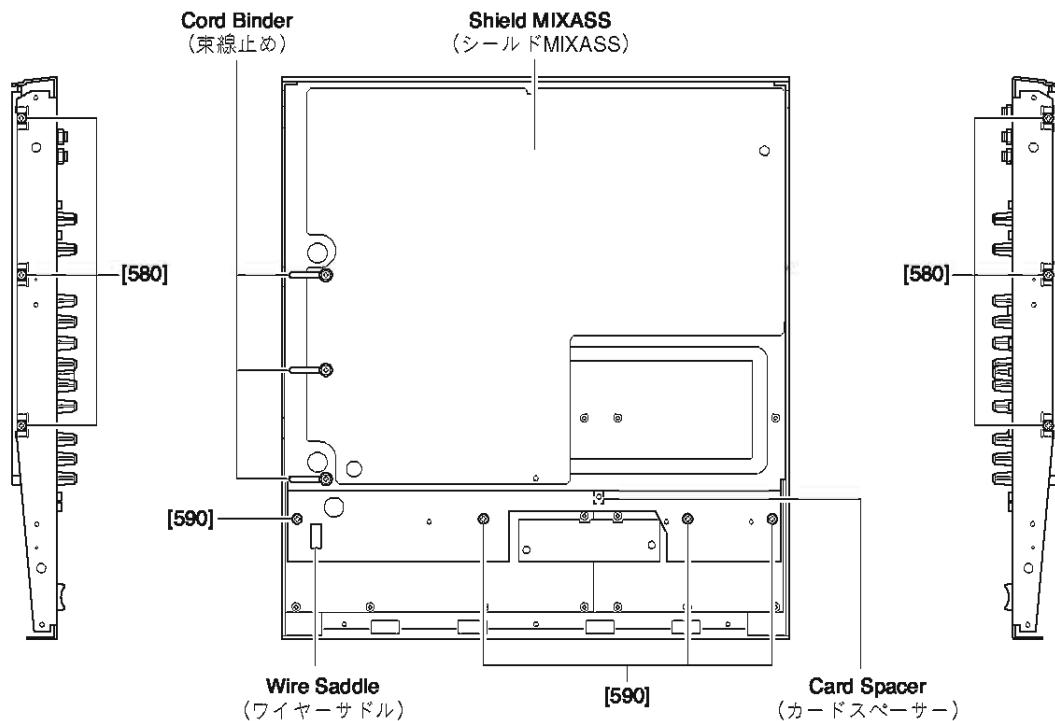
(Fig. 6)

**7. Shield MIXASS with card spacer, harness clamps and wire saddle
(Time required: 10 min.)**

- 7-1 Remove the panel assembly. (See procedure 1.)
 7-2 Remove the six (6) screws marked [580] and four (4) screws marked [590]. (Fig. 7)
 7-3 Pull the harness out of the hole in the shield MIXASS. (Fig. 7)
 7-4 Remove the shield MIXASS with card spacer, cord binder and wire saddle. (Fig. 7)

**7. シールドMIXASS(カードスペーサー、束線止め、ワイヤーサドル付き)
(所要時間：10分)**

- 7-1 パネルAss'yを外します。(1項参照)
 7-2 [580]のネジ6本、[590]のネジ4本を外します。(Fig. 7)
 7-3 束線をシールドMIXASSの穴から抜きます。(Fig. 7)
 7-4 シールドMIXASS(カードスペーサー、束線止め、ワイヤーサドル付き)を外します。(Fig. 7)



[580]: Bind Head Tapping Screw-S 3x6 MFZN2W3 (WE877900) Sタイト+BIND

[590]: Bind Head Tapping Screw-S 3x6 MFZN2W3 (WE877900) Sタイト+BIND

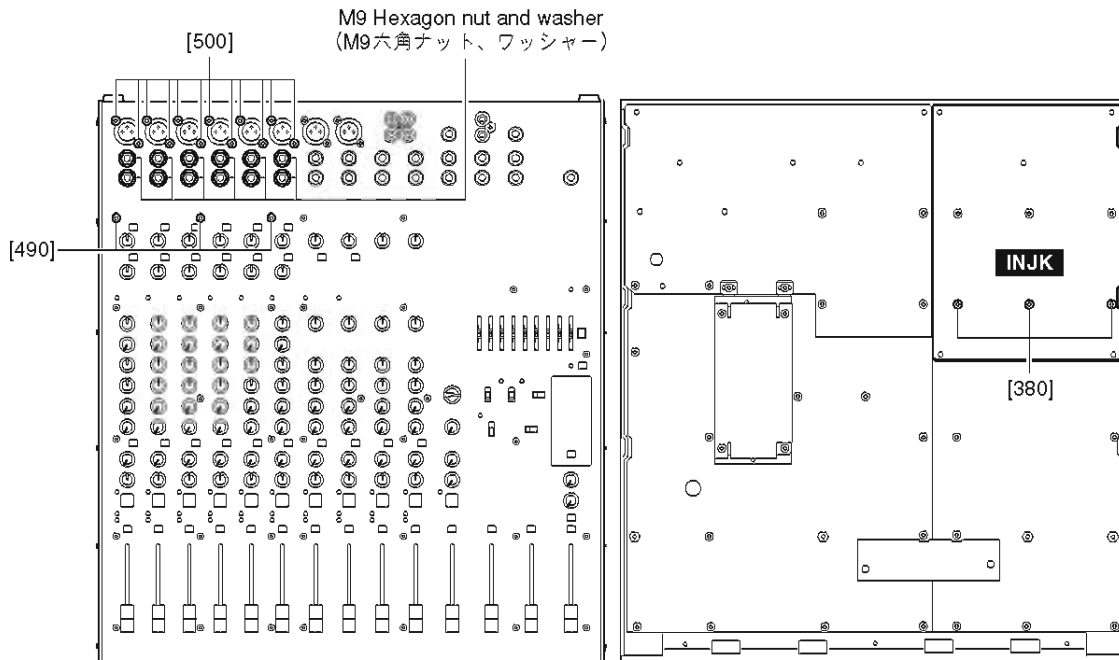
(Fig. 7)

8. INJK Circuit Board (Time required: 25min.)

- 8-1 Remove the panel assembly. (See procedure 1.)
- 8-2 Remove the shield MIXASS with card spacer, cord binder and wire saddle. (See procedure 7.)
- 8-3 Remove the twelve (12) screws marked [500], twelve (12) M9 hexagonal nuts, twelve (12) washers, three (3) hexagonal socket head screws marked [490] and three (3) hexagonal socket head screws marked [380]. (Fig. 8)
- 8-4 Remove the INJK circuit board with knob VR and buttons. (Fig. 8)
 - * At this time, use care not to apply stress to the connector being connected.
- 8-5 Remove the knob VR and buttons from the INJK circuit board with knob VR and buttons.

8. INJKシート (所要時間：25分)

- 8-1 パネルAss'yを外します。(1項参照)
- 8-2 シールドMIXASS(カードスペーサー、束線止め、ワイヤーサドル付き)を外します。(7項参照)
- 8-3 [500]のネジ12本、M9六角ナット12個、ワッシャー12個、[490]の六角孔付きネジ3本、[380]のネジ3本を外します。(Fig. 8)
- 8-4 INJKシート(ノブVR、ボタン付き)を外します。(Fig. 8)
 - * この時、接続コネクターストレスがかからないように注意してください。
- 8-5 INJKシート(ノブVR、ボタン付き)からノブVR、ボタンを外します。



- [380]: Bind Head Tapping Screw-S 3x6 MFZN2W3 (WE877900) Sタイト+BIND
- [490]: Hex. Socket Head Screw 3x6 MFZN2B3 (WF419300) Sタイト六角孔付き
- [500]: Bonding Tapping Screw-B 3x10 MFZN2B3 (WE878000) Bタイト+BOND

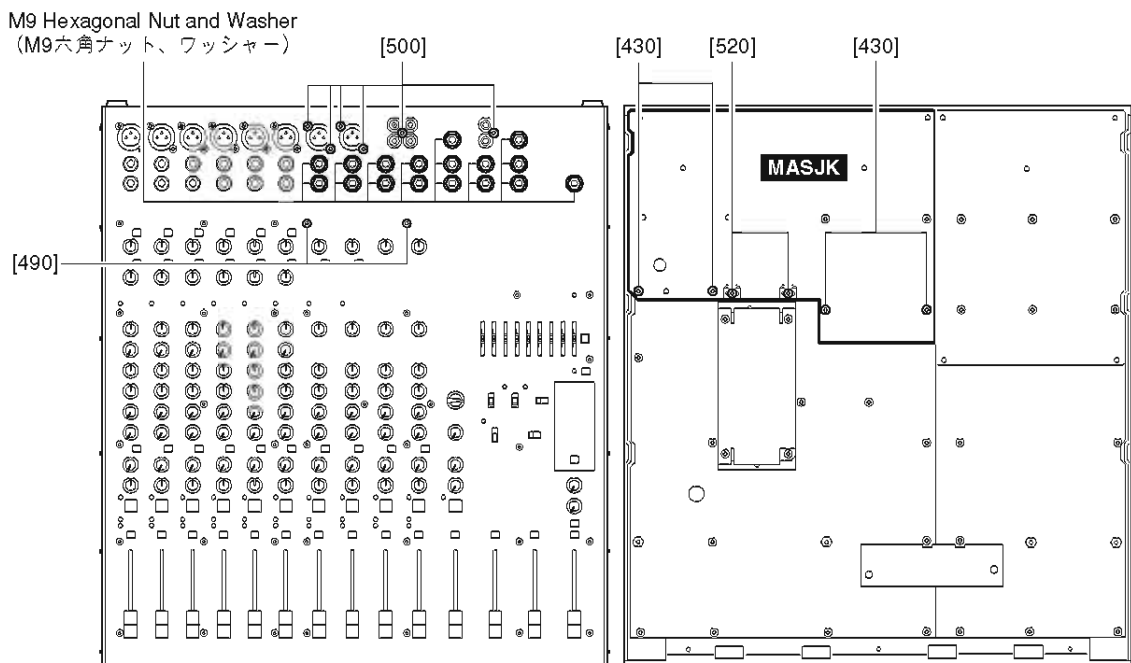
(Fig. 8)

9. MASJK (Time required: 25 min.)

- 9-1 Remove the panel assembly. (See procedure 1.)
- 9-2 Remove the shield MIXASS with card spacer, cord binder and wire saddle. (See procedure 7.)
- 9-3 Remove the six (6) screws marked [500], seventeen (17) M9 hexagonal nuts, seventeen (17) washers, two (2) hexagonal socket head screws marked [490], four (4) screws marked [430] and two (2) screws marked [520]. (Fig. 9)
- 9-4 Remove the MASJK circuit board with knob VR and buttons.
- * At this time, use care not to apply stress to the connector being connected.
- 9-5 Remove the knob VR and buttons from the MASJK circuit board with knob VR and buttons.

9. MASJK (所要時間：25分)

- 9-1 パネルAss'yを外します。(1項参照)
- 9-2 シールドMIXASS(カードスペーサー、束線止め、ワイヤーサドル付き)を外します。(7項参照)
- 9-3 [500]のネジ6本、M9六角ナット17個、ワッシャー17個、[490]の六角孔付きネジ2本、[430]のネジ4本、[520]のネジ2本を外します。(Fig. 9)
- 9-4 MASJKシート(ノブVR、ボタン付き)を外します。
* この時、接続コネクターストレスがかからないように注意してください。
- 9-5 MASJKシート(ノブVR、ボタン付き)からノブVR、ボタンを外します。



- [430]: Bind Head Tapping Screw-S 3x6 MFZN2W3 (WE877900) Sタイト+BIND
- [490]: Hex. Socket Head Screw 3x6 MFZN2B3 (WF419300) Sタイト六角孔付き
- [500]: Bonding Tapping Screw-B 3x10 MFZN2B3 (WE878000) Bタイト+BOND
- [520]: Bind Head Tapping Screw-S 3x6 MFZN2W3 (WE877900) Sタイト+BIND

(Fig. 9)

10. CNT1 Circuit Board (Time required: 12 min.)

- 10-1 Remove the panel assembly. (See procedure 1.)
- 10-2 Remove the shield MIXASS with card spacer, cord binder and wire saddle. (See procedure 7.)
- 10-3 Loosen the locking card spacers (at 2 locations). The CNT1 circuit board can then be removed. (Fig. 10)

11. DSP Circuit Board (Time required: 15 min.)

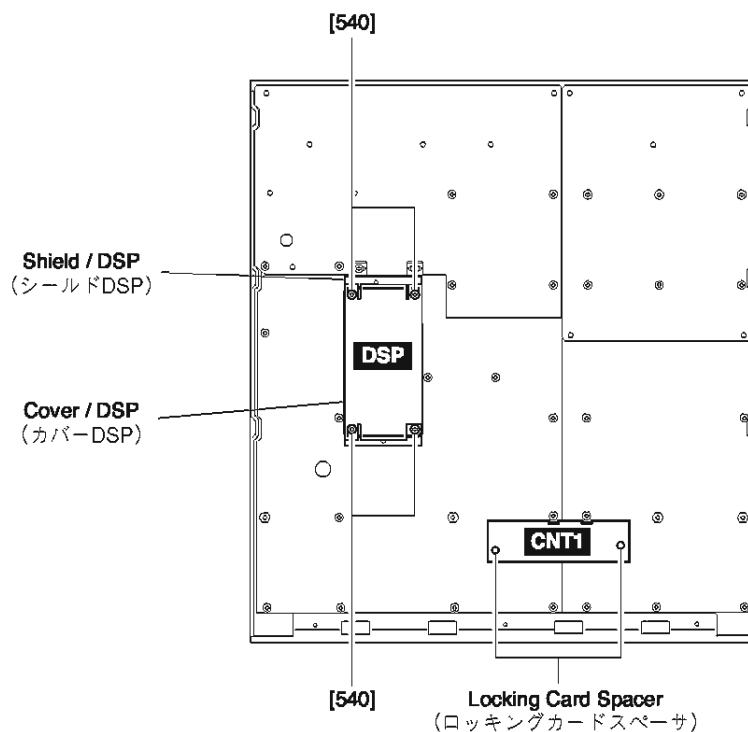
- 11-1 Remove the panel assembly. (See procedure 1.)
- 11-2 Remove the shield MIXASS with card spacer, cord binder and wire saddle. (See procedure 7.)
- 11-3 Remove the four (4) screws marked [540] and remove the cover DSP. (Fig. 10)
- 11-4 Remove the DSP circuit board. (Fig. 10)
- 11-5 Slide the shield DSP toward the front and lift it for removal. (Fig. 10)

10. CNT1シート(所要時間:12分)

- 10-1 パネルAss'yを外します。(1項参照)
- 10-2 シールドMIXASS(カードスペーサー、束線止め、ワイヤーサドル付き)を外します。(7項参照)
- 10-3 ロッキングカードスペーサ(2箇所)をゆるめ、CNT1シートを外します。(Fig. 10)

11. DSPシート(所要時間:15分)

- 11-1 パネルAss'yを外します。(1項参照)
- 11-2 シールドMIXASS(カードスペーサー、束線止め、ワイヤーサドル付き)を外します。(7項参照)
- 11-3 [540]のネジ4本を外し、カバーDSPを外します。(Fig.10)
- 11-4 DSPシートを外します。(Fig. 10)
- 11-5 シールドDSPをフロント側にスライドした後、持ち上げて外します。(Fig. 10)



[540]: Bind Head Tapping Screw-S 3x6 MFZN2W3 (WE877900) Sタイト+BIND

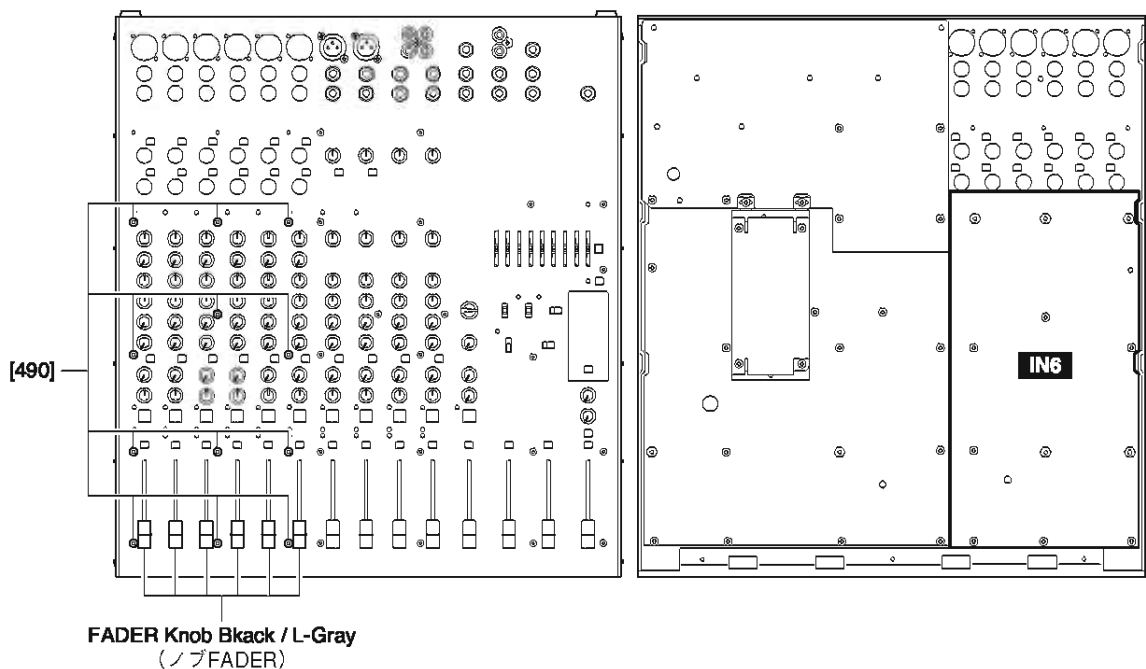
(Fig. 10)

12. IN6 Circuit Board (Time required: 30 min.)

- 12-1 Remove the panel assembly. (See procedure 1.)
- 12-2 Remove the shield MIXASS with card spacer, cord binder and wire saddle. (See procedure 7.)
- 12-3 Remove the INJK circuit board. (See procedure 8.)
- 12-4 Remove the CNT1 circuit board. (See procedure 10.)
- 12-5 Remove the six (6) FADER knobs. (Fig. 11)
- 12-6 Remove the twelve (12) hexagonal socket head screws marked [490]. (Fig. 11)
- 12-7 Remove the IN6 circuit board with knob VR and buttons. (Fig. 11)
- 12-8 Remove the knob VR and buttons from the IN6 circuit board with knob VR and buttons. (Fig. 11)

12. IN6シート(所要時間：30分)

- 12-1 パネルAss'yを外します。(1項参照)
- 12-2 シールドMIXASS(カードスペーサー、束線止め、ワイヤーサドル付き)を外します。(7項参照)
- 12-3 INJKシートを外します。(8項参照)
- 12-4 CNT1シートを外します。(10項参照)
- 12-5 ノブFADER6個を外します。(Fig. 11)
- 12-6 [490]の六角孔付きネジ12本を外します。(Fig. 11)
- 12-7 IN6シート(ノブVR、ボタン付き)を外します。(Fig. 11)
- 12-8 IN6シート(ノブVR、ボタン付き)からノブVR、ボタンを外します。(Fig. 11)



[490]: Hex. Socket Head Screw 3x6 MFZN2B3 (WF419300) Sタイト六角孔付き

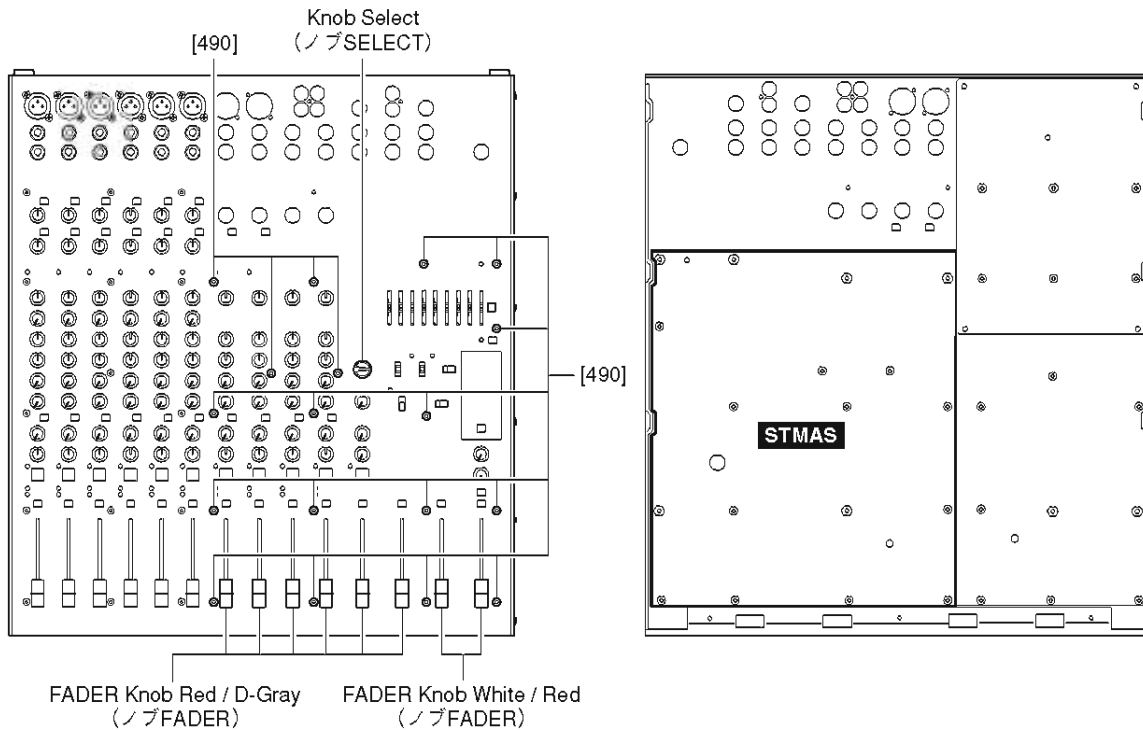
(Fig. 11)

13. STMAS Circuit Board (Time required: 30 min.)

- 13-1 Remove the panel assembly. (See procedure 1.)
- 13-2 Remove the shield MIXASS with card spacer, cord binder and wire saddle. (See procedure 7.)
- 13-3 Remove the MASJK circuit board. (See procedure 9.)
- 13-4 Remove the CNT1 circuit board. (See procedure 10.)
- 13-5 Remove the DSP circuit board. (See procedure 11.)
- 13-6 Remove the eight (8) FADER knobs and the knob select. (Fig. 12)
- 13-7 Remove the eighteen (18) hexagonal socket head screws marked [490]. (Fig. 12)
- 13-8 Remove the STMAS circuit board with knob VR and buttons. (Fig. 12)
- 13-9 Remove the knob VR and buttons from the STMAS circuit board with knob VR and buttons. (Fig. 12)

13. STMASシート (所要時間：30分)

- 13-1 パネルAss'yを外します。(1項参照)
- 13-2 シールドMIXASS(カードスペーサー、束線止め、ワイヤーサドル付き)を外します。(7項参照)
- 13-3 MASJKシートを外します。(9項参照)
- 13-4 CNT1シートを外します。(10項参照)
- 13-5 DSPシートを外します。(11項参照)
- 13-6 ノブFADER8個、ノブSELECTを外します。(Fig. 12)
- 13-7 [490]の六角孔付きネジ18本を外します。(Fig. 12)
- 13-8 STMASシート(ノブVR、ボタン付き)を外します。(Fig. 12)
- 13-9 STMASシート(ノブVR、ボタン付き)からノブVR、ボタンを外します。(Fig. 12)



[490]: Hex. Socket Head Screw 3x6 MFZN2B3 (WF419300) Sタイト六角孔付き

(Fig. 12)

■ LSI PIN DESCRIPTION (LSI端子機能表)

CONTENTS (目次)

- AK5381VT-E2 (X5219A00) ADC (Analog to Digital Converter) 25
- PCM1742KEG/2K (X3538A00) DAC (Digital to Analog Converter) 25
- MX23L8103TC-90G (X5922A00) CPU 25
- YMW767-VTZ (X6055A00) CPU 26

• AK5381VT-E2 (X5219A00) ADC (Analog to Digital Converter)

DSP: ICM04

| PIN No. | NAME | I/O | FUNCTION | PIN No. | NAME | I/O | FUNCTION |
|---------|------|-----|---------------------------|---------|------|-----|------------------------------|
| 1 | AINR | I | Rch Analog input pin | 9 | SDTO | O | Audio serial data output pin |
| 2 | AINL | I | Lch Analog input pin | 10 | LRCK | I/O | Output channel clock pin |
| 3 | CKS1 | I | Mode select 1 pin | 11 | MCLK | I | Master clock input pin |
| 4 | VCOM | O | Common voltage output pin | 12 | SCLK | I/O | Audio serial data clock pin |
| 5 | AGND | - | Analog ground | 13 | PDN | I | Power down mode pin |
| 6 | VA | - | Analog power supply | 14 | DIF | I | Audio interface format pin |
| 7 | VD | - | Digital power supply | 15 | CKS2 | I | Mode select 2 pin |
| 8 | DGND | - | Digital ground | 16 | CKS0 | I | Mode select 0 pin |

• PCM1742KEG/2K (X3538A00) DAC (Digital to Analog Converter)

DSP: ICM08

| PIN No. | NAME | I/O | FUNCTION | PIN No. | NAME | I/O | FUNCTION |
|---------|-------|-----|---|---------|-----------------|-----|--|
| 1 | BCK | IN | Audio Data Bit Clock Input. ⁽¹⁾ | 9 | AGND | | Analog Ground |
| 2 | DATA | IN | Audio Data Digital Input. ⁽¹⁾ | 10 | VCOM | | Common Voltage Decoupling. |
| 3 | LRCK | IN | L-Channel and R-Channel Audio Data Latch Enable Input. ⁽¹⁾ | 11 | ZEROR/ ZEROA | OUT | Zero Flag Output for R-Channel/Zero Flag Output for L/R-Channel. |
| 4 | DGND | | Digital Ground | 12 | ZEROL/NA | OUT | Zero Flag Output for L-Channel/No Assign. |
| 5 | VDD | | Digital Power Supply, +3.3V | 13 | MD | IN | Mode Control Data Input. ⁽²⁾ |
| 6 | VCC | | Analog Power Supply, +5V | 14 | MC | IN | Mode Control Clock Input. ⁽²⁾ |
| 7 | VoutL | OUT | Analog Output for L-Channel. | 15 | ML | IN | Mode Control Latch Input. ⁽²⁾ |
| 8 | VoutR | OUT | Analog Output for R-Channel. | 16 | SCK | IN | System Clock Input. |

NOTES: (1) Schmitt-trigger input, 5V tolerant. (2) Schmitt-trigger with internal pull-down, 5V tolerant.

• MX23L8103TC-90G (X5922A00) MASK ROM

DSP: ICM10

| PIN No. | NAME | I/O | FUNCTION | PIN No. | NAME | I/O | FUNCTION |
|---------|--------|-----|-------------|---------|---------|---------------------|--------------------------|
| 1 | A15 | I | Address bus | 25 | A0 | I | Address bus |
| 2 | A14 | I | | 26 | CE# | I | Chip enable |
| 3 | A13 | I | | 27 | VSS | - | Ground |
| 4 | A12 | I | | 28 | OE# | I | Output enable |
| 5 | A11 | I | | 29 | DO | O | Data bus |
| 6 | A10 | I | | 30 | D8 | O | |
| 7 | A9 | I | | 31 | D1 | O | |
| 8 | A8 | I | | 32 | D9 | O | |
| 9 | (N.C.) | - | | 33 | D2 | O | |
| 10 | (N.C.) | - | | 34 | D10 | O | |
| 11 | (N.C.) | - | 35 | D3 | O | Power supply +3.3 V | |
| 12 | (N.C.) | - | 36 | D11 | O | | |
| 13 | (N.C.) | - | 37 | VCC | - | | |
| 14 | (N.C.) | - | 38 | D4 | O | | |
| 15 | (N.C.) | - | 39 | D12 | O | Data bus | |
| 16 | A18 | I | 40 | D5 | O | | |
| 17 | A17 | I | 41 | D13 | O | | |
| 18 | A7 | I | 42 | D6 | O | | |
| 19 | A6 | I | 43 | D14 | O | | |
| 20 | A5 | I | 44 | D7 | O | | |
| 21 | A4 | I | Address bus | 45 | D15/A-1 | I/O | Data bus / LSB address |
| 22 | A3 | I | | 46 | VSS | - | Ground |
| 23 | A2 | I | | 47 | BYTE# | - | Word/byte mode selection |
| 24 | A1 | I | | 48 | A16 | I | Address bus |

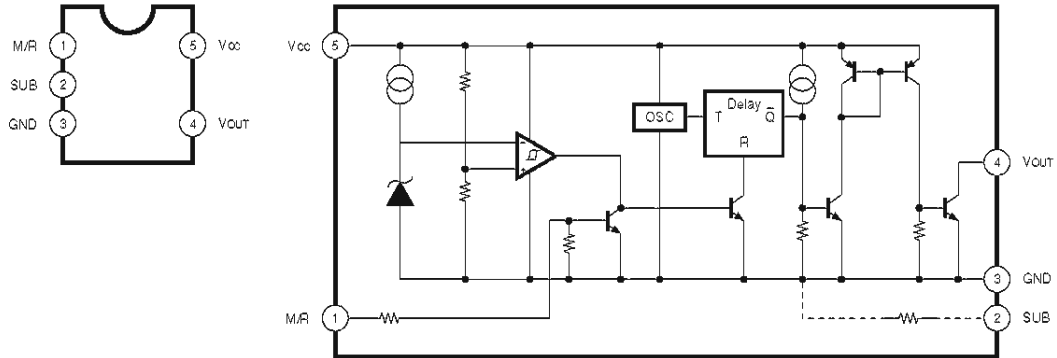
• YMW767-VTZ (X6055A00) CPU

DSP: ICM07

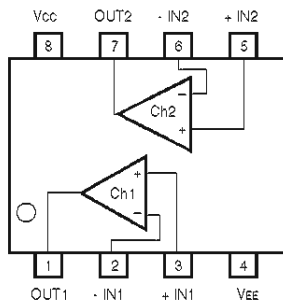
| PIN No. | NAME | I/O | FUNCTION | PIN No. | NAME | I/O | FUNCTION |
|---------|------------|-----|--------------------------------|------------------|---------------|-----------|-----------------------------------|
| 1 | VSS | - | VSS | 65 | VSS | - | VSS |
| 2 | TESTN | I | Input for TEST | 66 | IOVDD | - | IOVDD +3.3V |
| 3 | PLLBP | I | PLL bypass select | 67 | LBN/LWRN/PF6 | O | External memory lower-byte enable |
| 4 | PLLVD | - | PLLVD +2.5V | 68 | UBN/UWRN/PF7 | O | External memory upper-byte enable |
| 5 | CIN | - | Capacitor terminal for PLL | 69 | RDN/PF4 | O | External memory read enable |
| 6 | PLLVSS | - | PLLVSS | 70 | MD00 | I/O | External memory data bus |
| 7 | TRSTN | I | JTAG input | 71 | MD08 | I/O | |
| 8 | TMS | I | | 72 | MD01 | I/O | |
| 9 | TCK | I | | 73 | MD09 | I/O | |
| 10 | TDI | I | 74 | MD02 | I/O | VSS | |
| 11 | TD0 | O | 75 | MD10 | I/O | | |
| 12 | XI | I | 76 | MD03 | I/O | | |
| 13 | XO | O | Crystal oscillator | 77 | VSS | - | |
| 14 | VSS | - | VSS | 78 | MD11 | I/O | External memory data bus |
| 15 | VDD | - | VDD +2.5V | 79 | MD04 | I/O | |
| 16 | ICN | I | Hardware reset | 80 | MD12 | I/O | |
| 17 | ECSN | I | CPU I/F chip select | 81 | MD05 | I/O | |
| 18 | EWRN/PD5 | I | CPU I/F write enable | 82 | MD13 | I/O | |
| 19 | ERDN/PD4 | I | CPU I/F read enable | 83 | MD06 | I/O | External memory write enable |
| 20 | EA3/PD3 | I | CPU I/F address bus | 84 | MD14 | I/O | |
| 21 | EA2/PD2 | I | | 85 | MD07 | I/O | |
| 22 | EA1/PD1 | I | | 86 | MD15 | I/O | |
| 23 | EA0/PD0 | I | | 87 | WRN/PF5 | O | |
| 24 | IOVDD | - | | IOVDD +3.3V | 88 | VSS | - |
| 25 | ED0/PC0 | I/O | CPU I/F data bus | 89 | VDD | - | VDD +2.5V |
| 26 | ED1/PC1 | I/O | | 90 | IOVDD | - | IOVDD +3.3V |
| 27 | ED2/PC2 | I/O | | 91 | MA17 | O | External memory address bus |
| 28 | ED3/PC3 | I/O | | 92 | MA16 | O | |
| 29 | ED4/PC4 | I/O | | 93 | MA15 | O | |
| 30 | ED5/PC5 | I/O | | 94 | MA14 | O | |
| 31 | ED6/PC6 | I/O | | 95 | MA13 | O | |
| 32 | ED7/PC7 | I/O | 96 | MA12 | O | | |
| 33 | VSS | - | VSS | 97 | MA11 | O | |
| 34 | RQ0N/PH0 | I | Interrupt input | 98 | MA10 | O | VSS |
| 35 | TxD0 | O | Serial output | 99 | MA09 | O | |
| 36 | RxD0 | I | serial input | 100 | MA08 | O | |
| 37 | TxD1/PG2 | O | Serial output | 101 | MA07 | O | |
| 38 | RxD1/PH1 | I | serial input | 102 | MA06 | O | |
| 39 | SCLK1/PH2 | I | External synchronization clock | 103 | MA05 | O | |
| 40 | SD0 | O | Serial output | 104 | VSS | - | |
| 41 | SD1/PH3 | I | serial input | 105 | MA04 | O | External memory address bus |
| 42 | BCLK | O | Bit clock output | 106 | MA03 | O | |
| 43 | WCLK/SY0 | O | Word clock output | 107 | MA02 | O | |
| 44 | SYSCLK/PG3 | O | Clock output | 108 | MA01 | O | External memory chip select |
| 45 | VSS | - | VSS | 109 | CS0N/PG0 | O | |
| 46 | VDD | - | VDD +2.5V | 110 | MA18 | O | |
| 47 | IOVDD | - | IOVDD +3.3V | 111 | MA19 | O | External memory address bus |
| 48 | PA0 | I/O | I/O port | 112 | MA21/PF1 | O | |
| 49 | PA1 | I/O | | 113 | MA22/PF2 | O | |
| 50 | PA2 | I/O | | 114 | MA20 | O | |
| 51 | PA3 | I/O | | 115 | MA23/PF3 | O | |
| 52 | PA4 | I/O | | 116 | CS1N/PG1 | O | External memory chip select |
| 53 | PA5 | I/O | | 117 | MA00/PF0 | O | VSS |
| 54 | PA6 | I/O | | 118 | VSS | - | |
| 55 | PA7 | I/O | 119 | VDD | - | VDD +2.5V | |
| 56 | VSS | - | VSS | 120 | IOVDD | - | IOVDD +3.3V |
| 57 | PB0 | I/O | I/O port | 121 | CS2N/PE0 | O | External memory chip select |
| 58 | PB1 | I/O | | 122 | CS2N/PE0 | O | |
| 59 | PB2 | I/O | | 123 | CS4N/CASN/PE2 | O | |
| 60 | PB3 | I/O | | 124 | CS5N/PE3 | O | |
| 61 | PB4 | I/O | | 125 | CS50RDN/PE4 | O | |
| 62 | PB5 | I/O | | 126 | CS51WRN/PE5 | O | |
| 63 | PB6 | I/O | | 127 | CS52WRN/PE6 | O | |
| 64 | PB7/SYI | I/O | 128 | CS53WRN/RASN/PE7 | O | | |

IC BLOCK DIAGRAM (IC ブロック図)

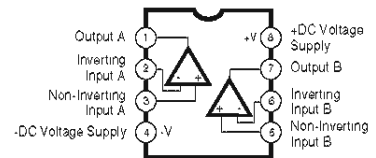
- PST596DNR (X0165A00)**
 System Reset
 DSP: ICM03



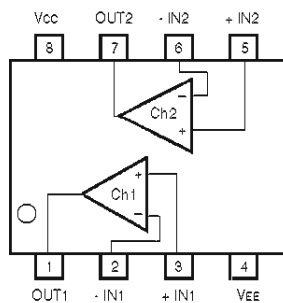
- BA4560RF-E2 (X6897A00)**
 Dual Operational Amplifier
 DSP: ICM09, ICM11
 INJK: IC104, IC105, IC204, IC304, IC305, IC404, IC504, IC505, IC604



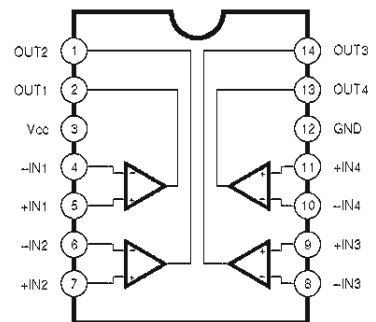
- NJM2068M-D (TE2) (X3505A00)**
 Dual Operational Amplifier
 IN6: IC101, IC104-105, IC201, IC301, IC304-305, IC401, IC501, IC504-505, IC601
 INJK: IC101-103, IC203, IC301-303, IC403, IC501-503, IC603
 MASJK: IC101-104, IC202, IC203, IC301, IC302, IC401, IC402
 OUT: IC101
 STMAS: IC101, IC104, IC204, IC301, IC303, IC401, IC403, IC501-507, IC515, IC601, IC605, IC606



- BA4558RF-E2 (X6896A00)**
 Low Noise Operational Amplifier
 IN6: IC102, IC103, IC302, IC502, IC503
 STMAS: IC102, IC103, IC302, IC607, IC608

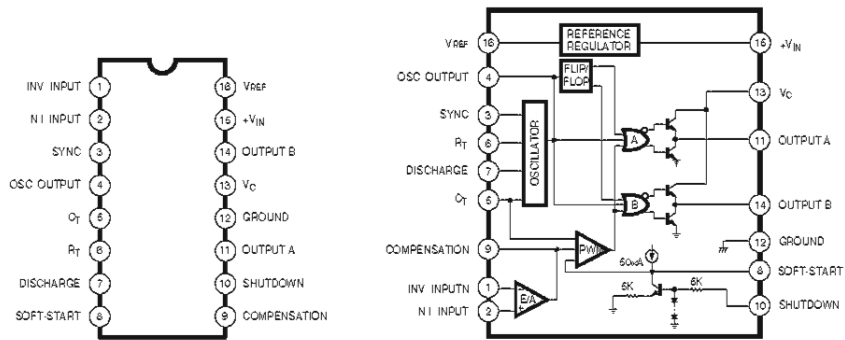


- BA10339F (X6266A00)**
 Comparator
 OUT: IC102

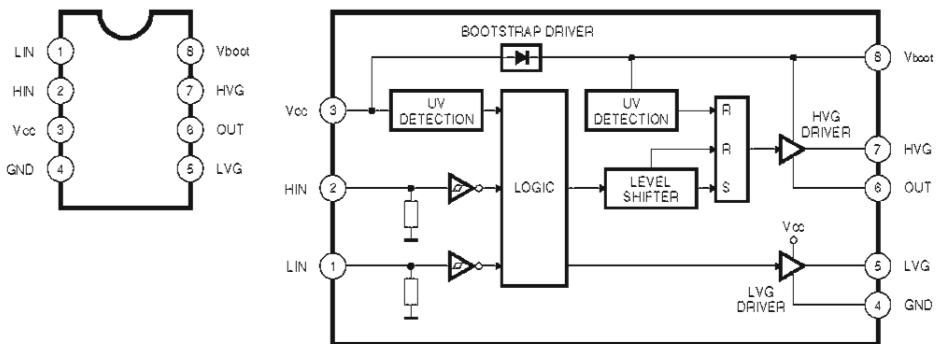


EMX5014C

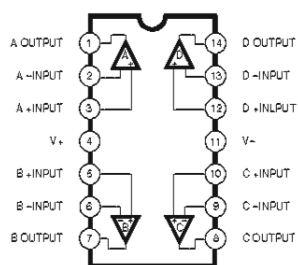
- **SG3525AN** (X2383A00)
Regulating Pulse Width Modulator
PS: IC401



- **L6385** (X5908A00)
Driver
PS: IC402



- **NJM2060M** (XM560A00)
Quad Operational Amplifier
STMAS: IC508-512



■ CIRCUIT BOARDS (シート基板図)

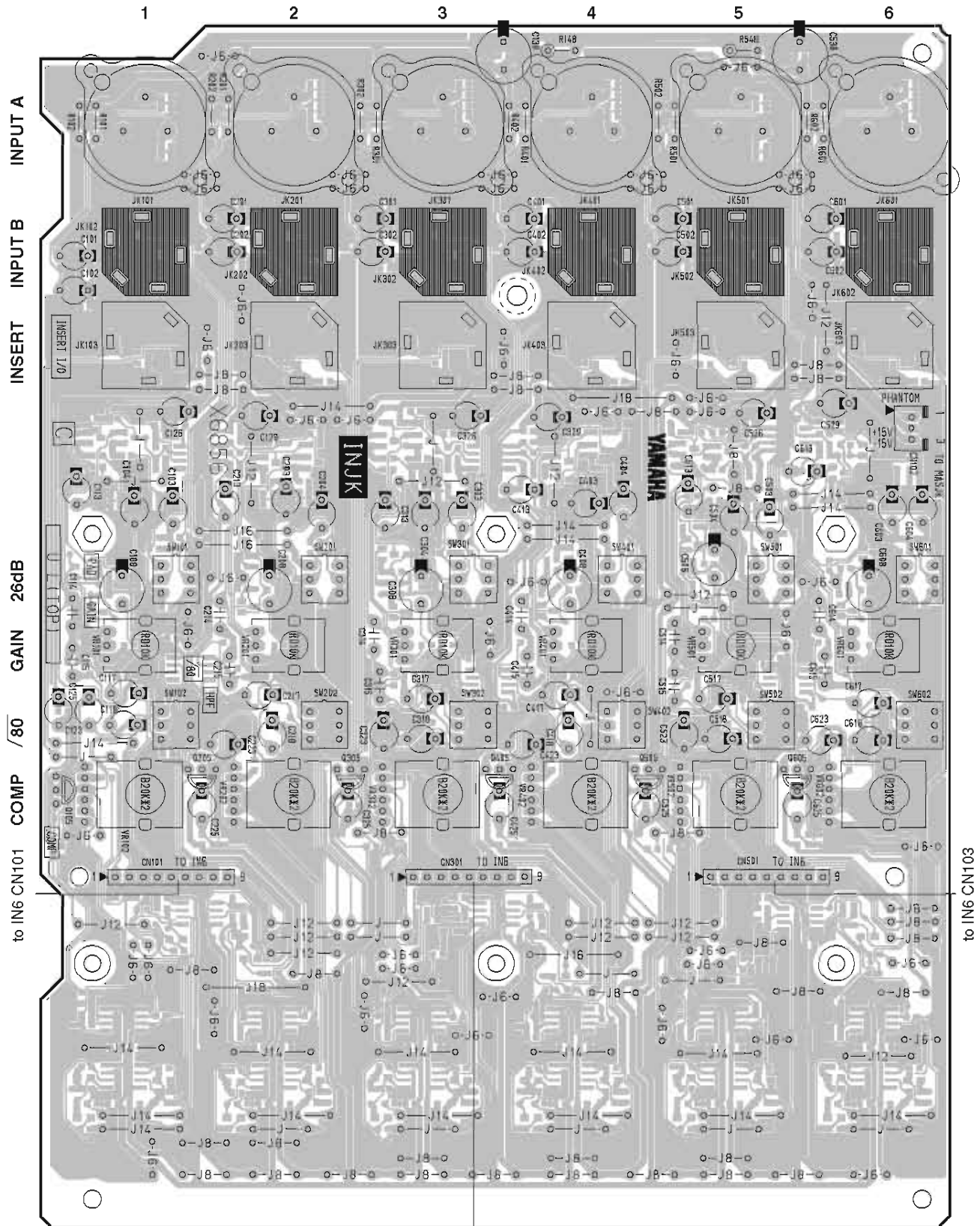
CONTENTS (目次)

| | | |
|-----------------------|-----------------|----|
| • INJK Circuit Board | (X6856C0) | 30 |
| • MASJK Circuit Board | (X6826C0) | 32 |
| • IN6 Circuit Board | (X6835C0) | 36 |
| • STMAS Circuit Board | (X6825C0) | 40 |
| • CNT1 Circuit Board | (X6826C0) | 44 |
| • OUT Circuit Board | (X6875C0) | 44 |
| • DSP Circuit Board | (X5022C0) | 45 |
| • PA Circuit Board | (X7385C0) | 46 |
| • PS Circuit Board | (X6827C0) | 50 |
| • INLET Circuit Board | (X6828C0) | 54 |

Note: See parts list for details of circuit board component parts.

注: シートの部品詳細はパーツリストをご参照ください。

• INJK Circuit Board

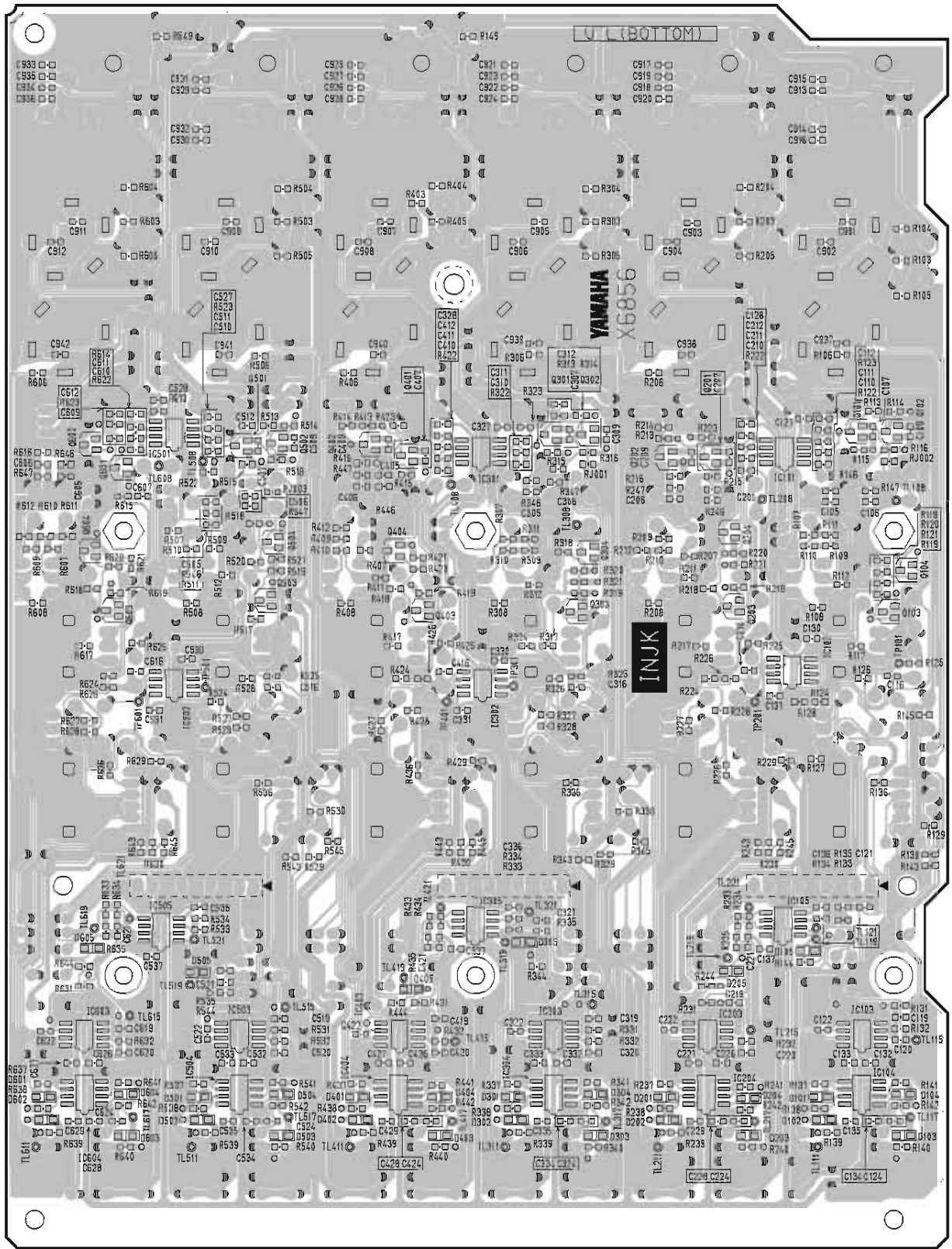


Component side (部品側)

to IN6 CN102

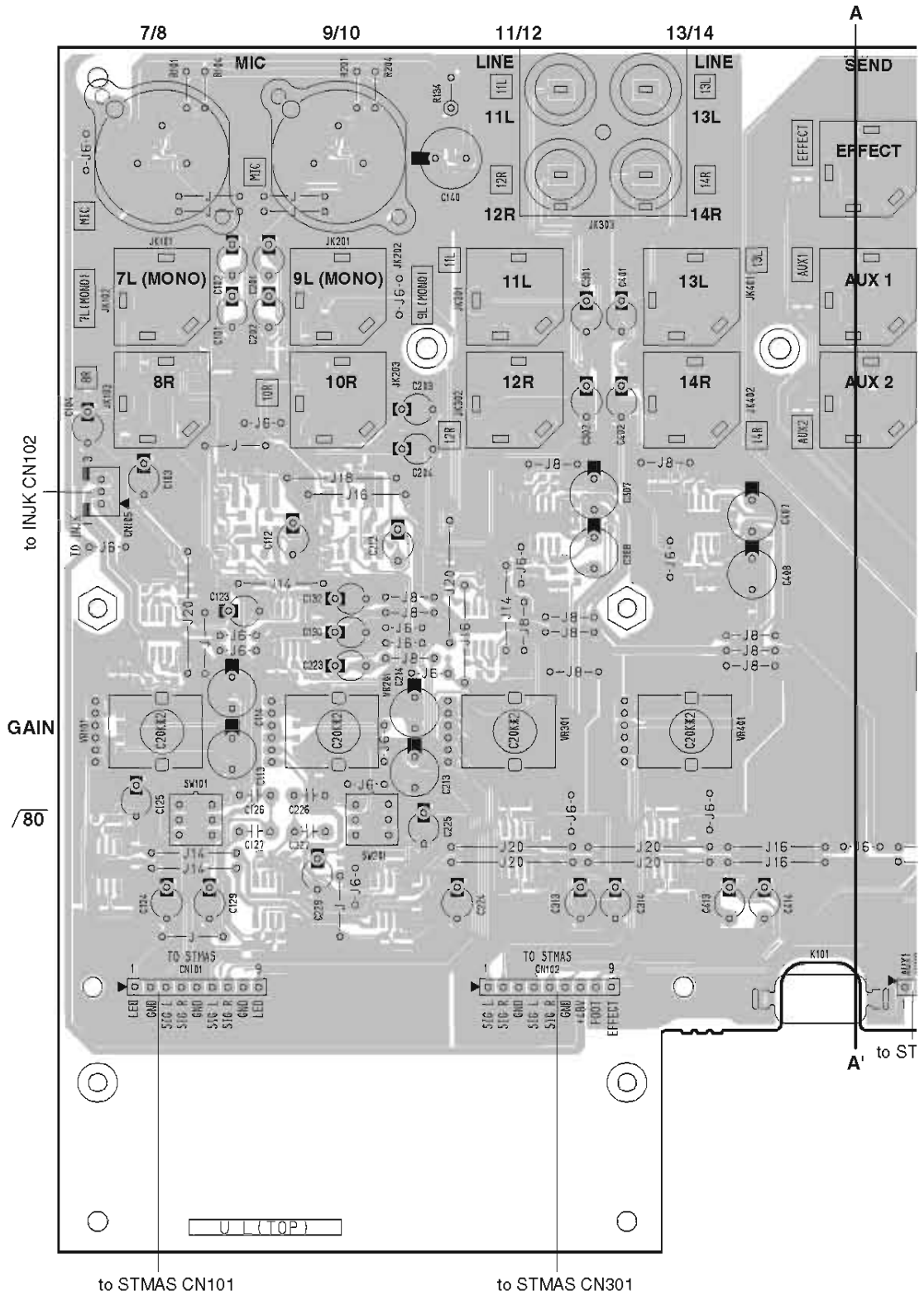
to IN6 CN103

• INJK Circuit Board

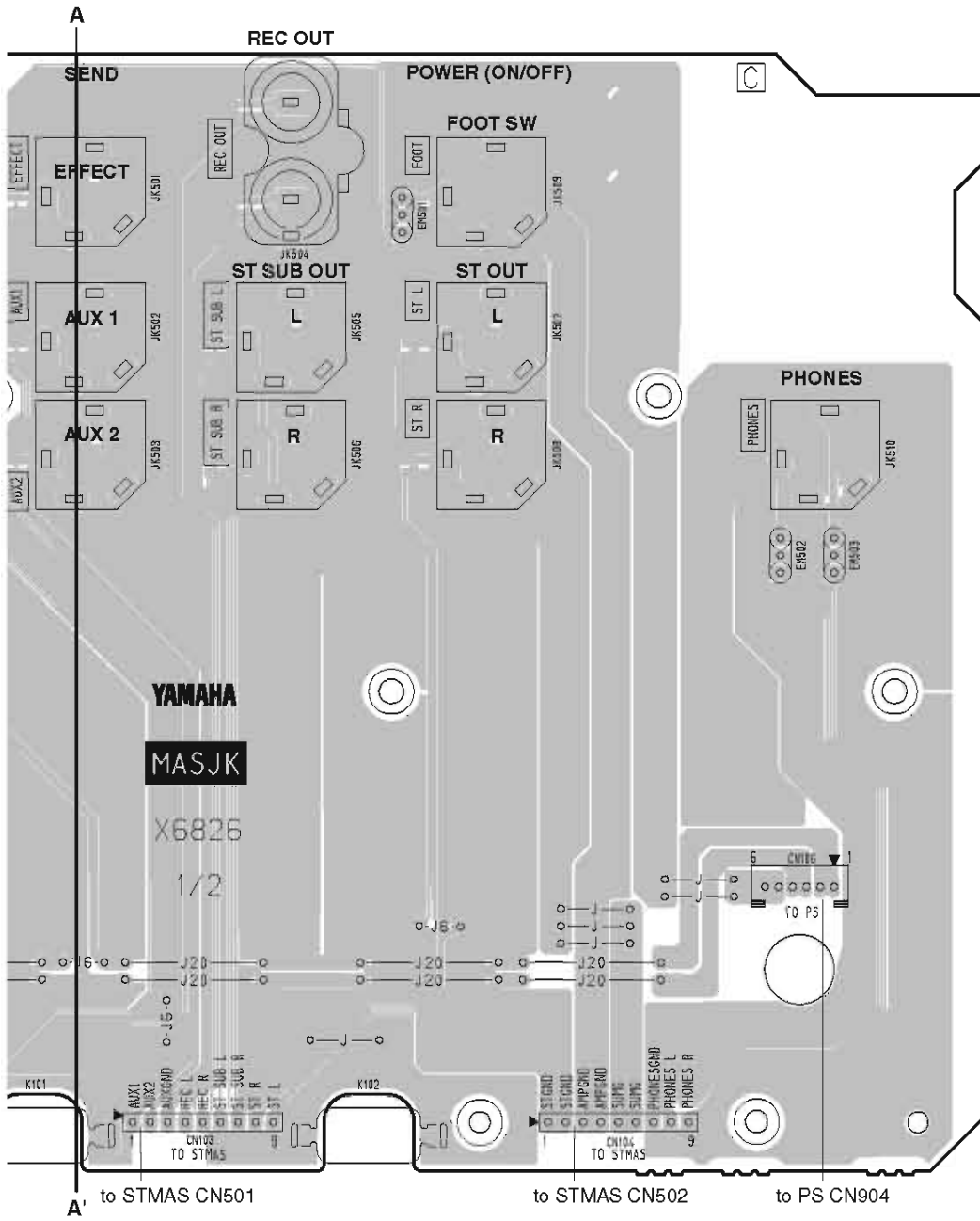


Pattern side (パターン側)

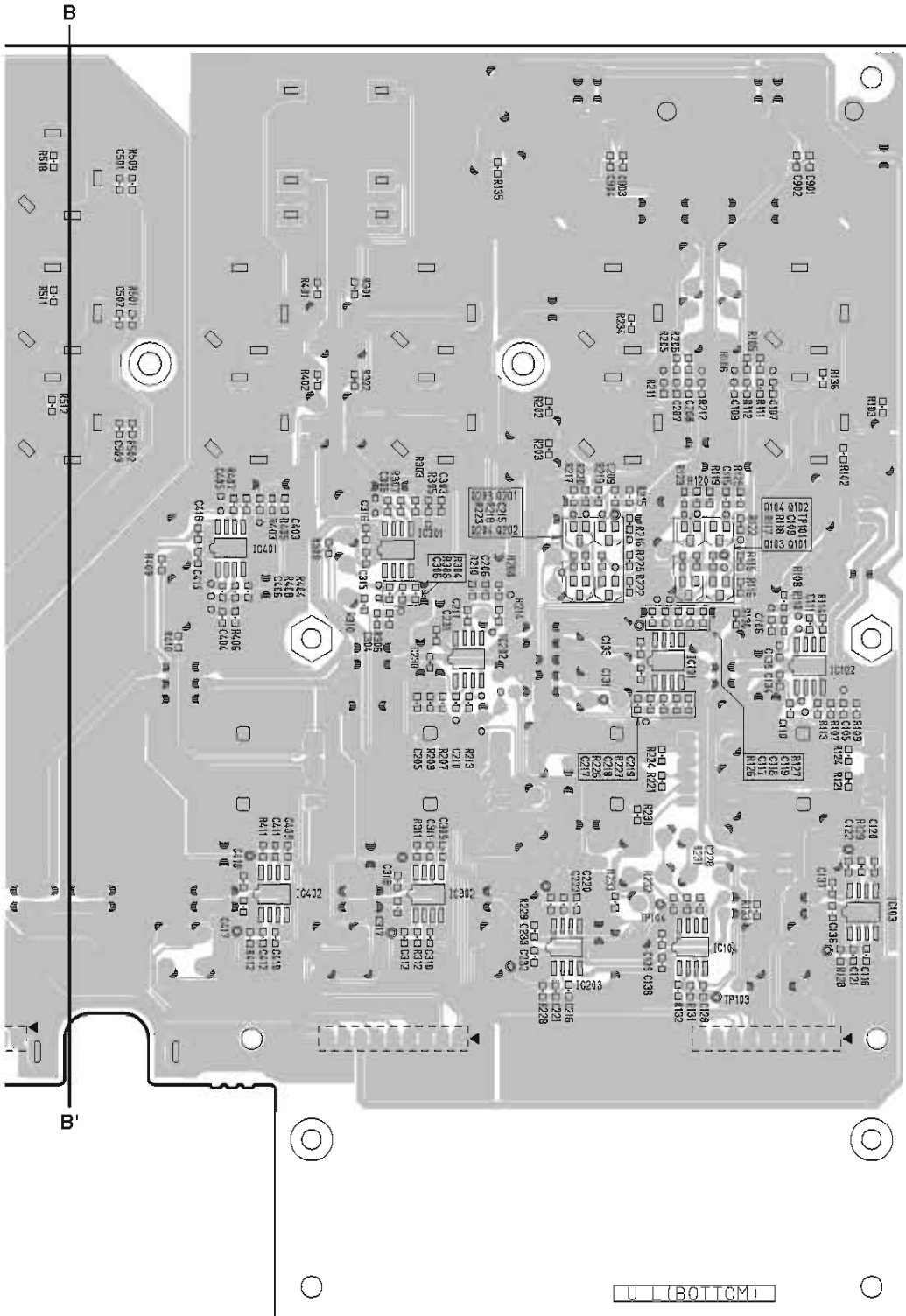
• MASJK Circuit Board



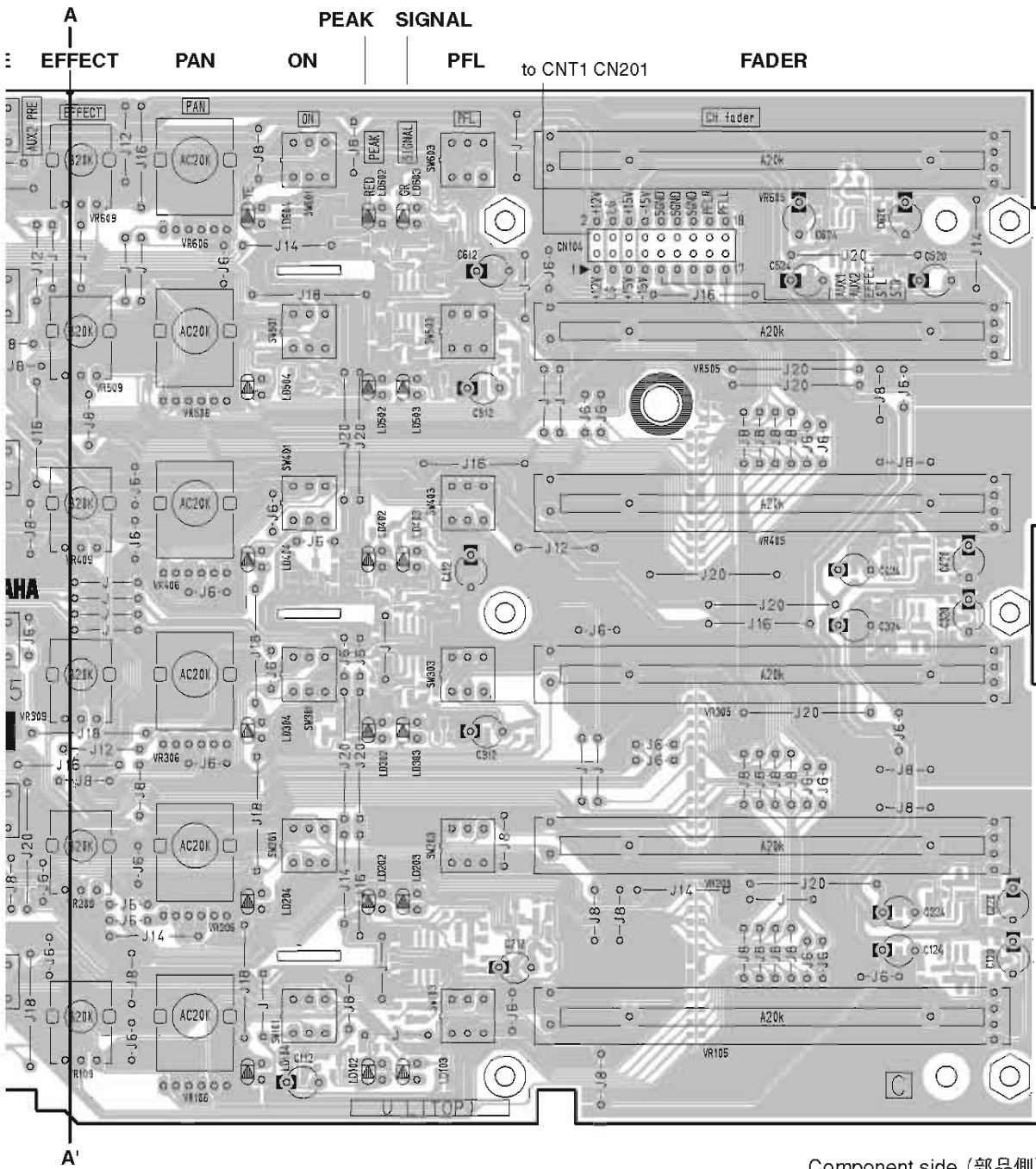
Component side (部品側)



Component side (部品側)

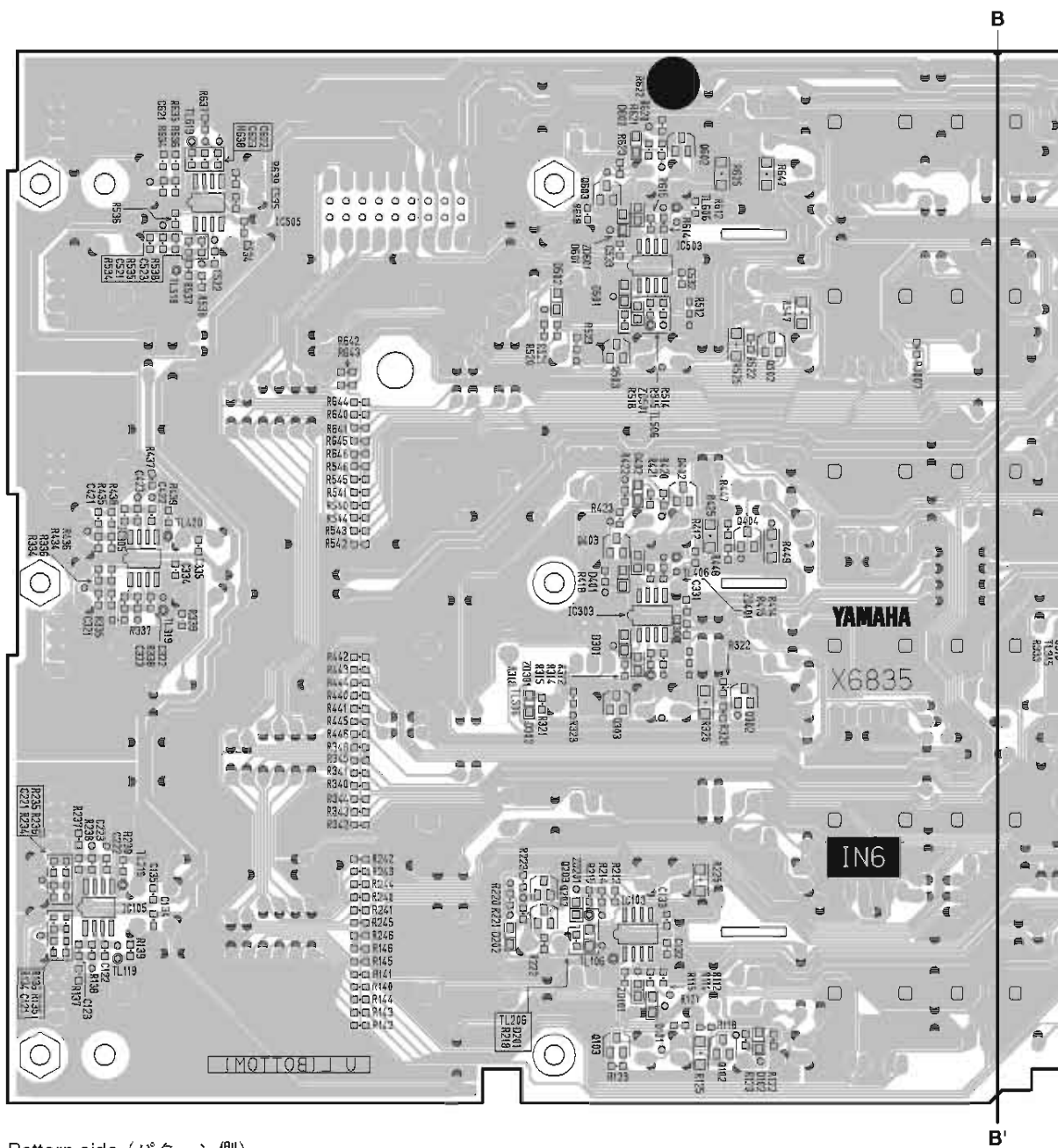


Pattern side (パターン側)

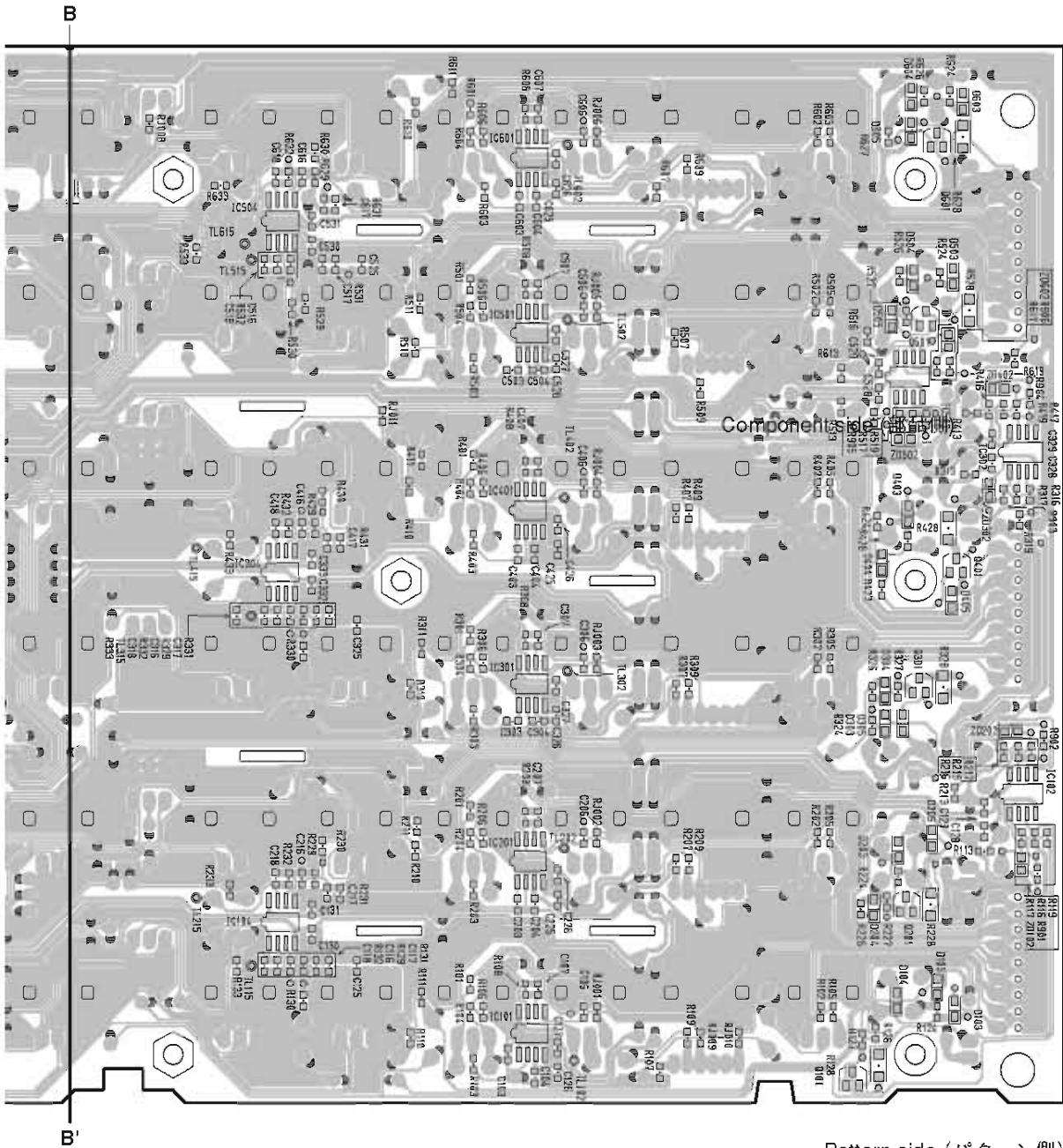


Component side (部品側)

• IN6 Circuit Board

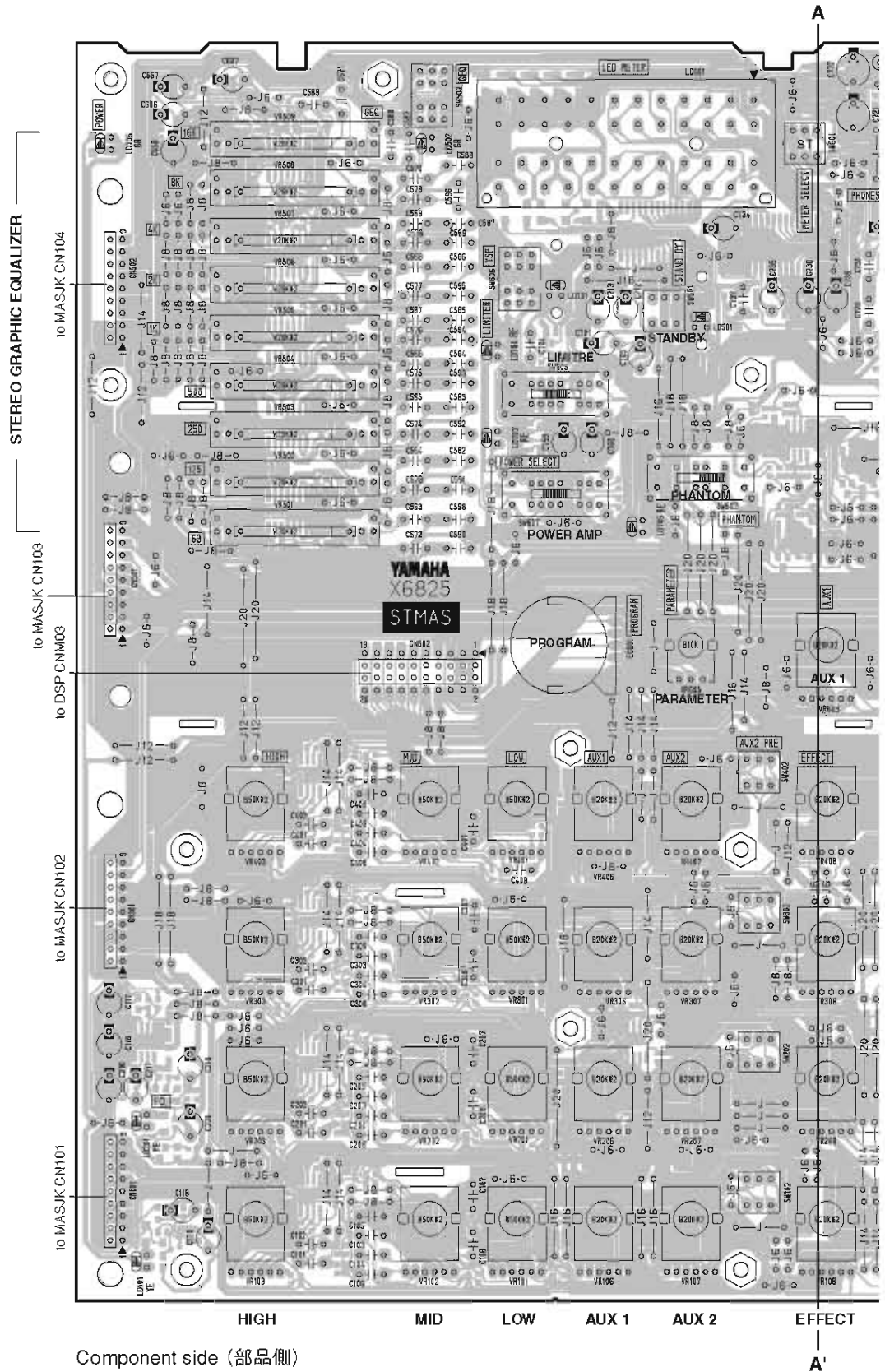


Pattern side (パターン側)

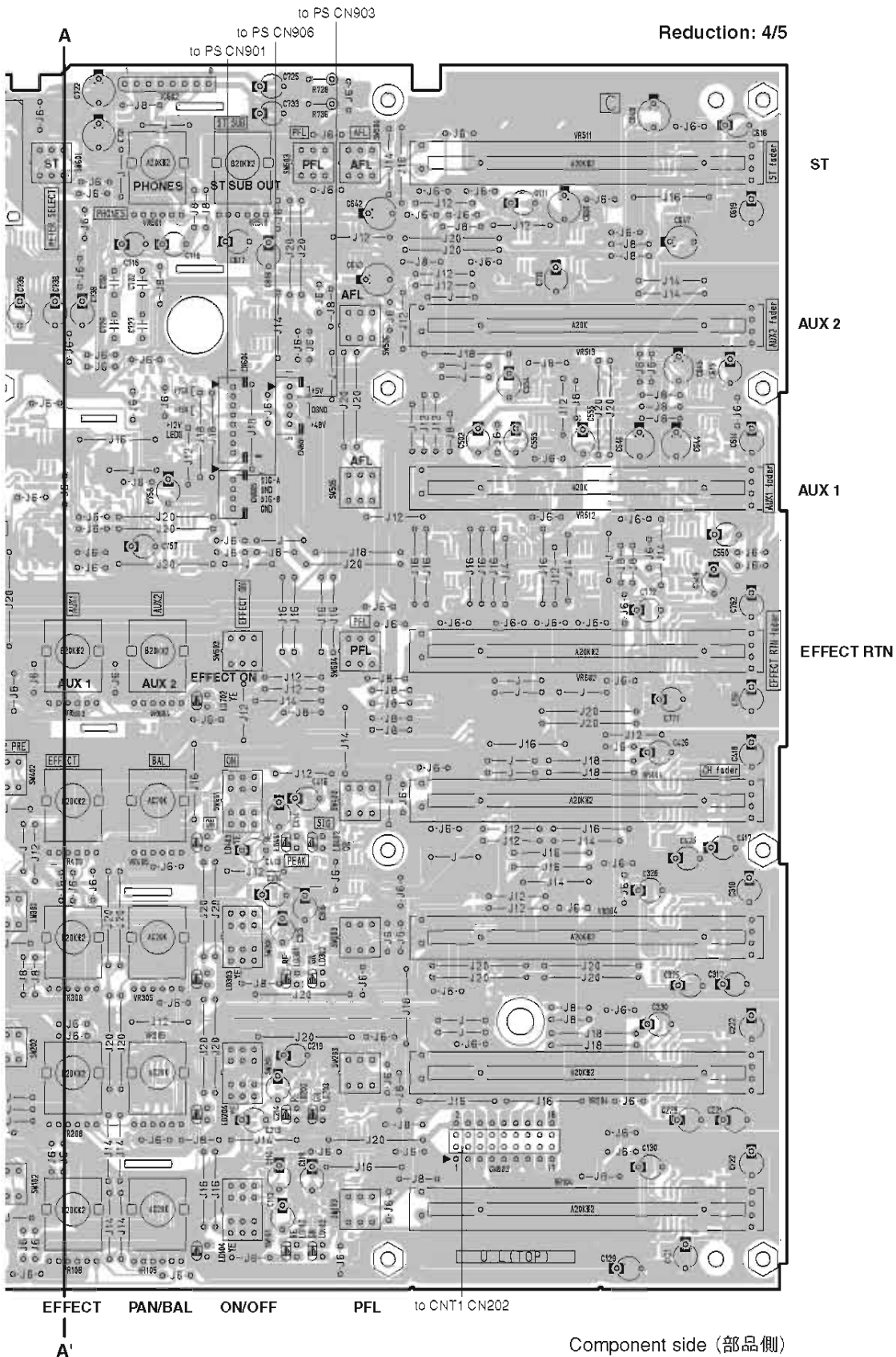


Pattern side (パターン側)

• STMAS Circuit Board

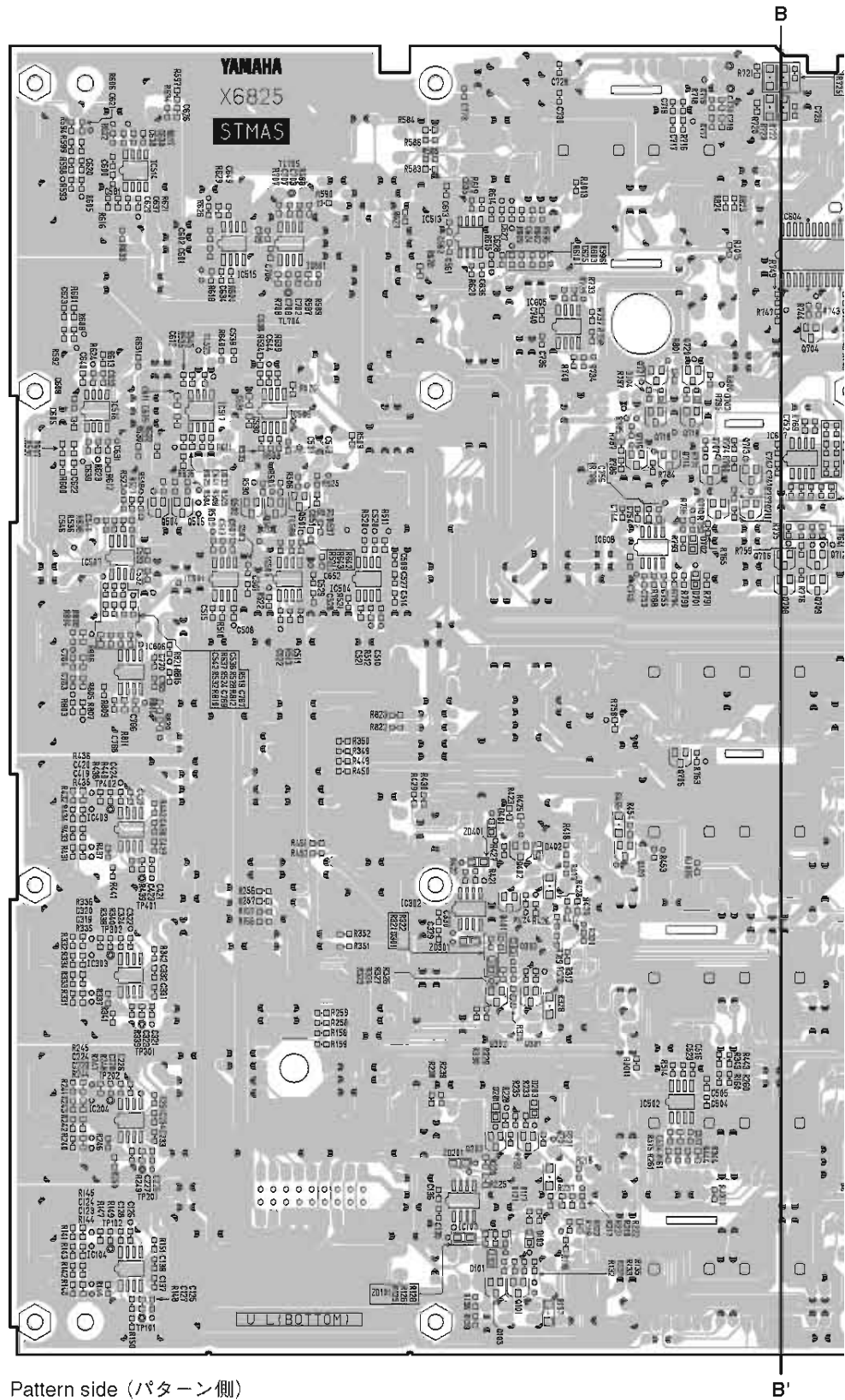


2NA-WF53290



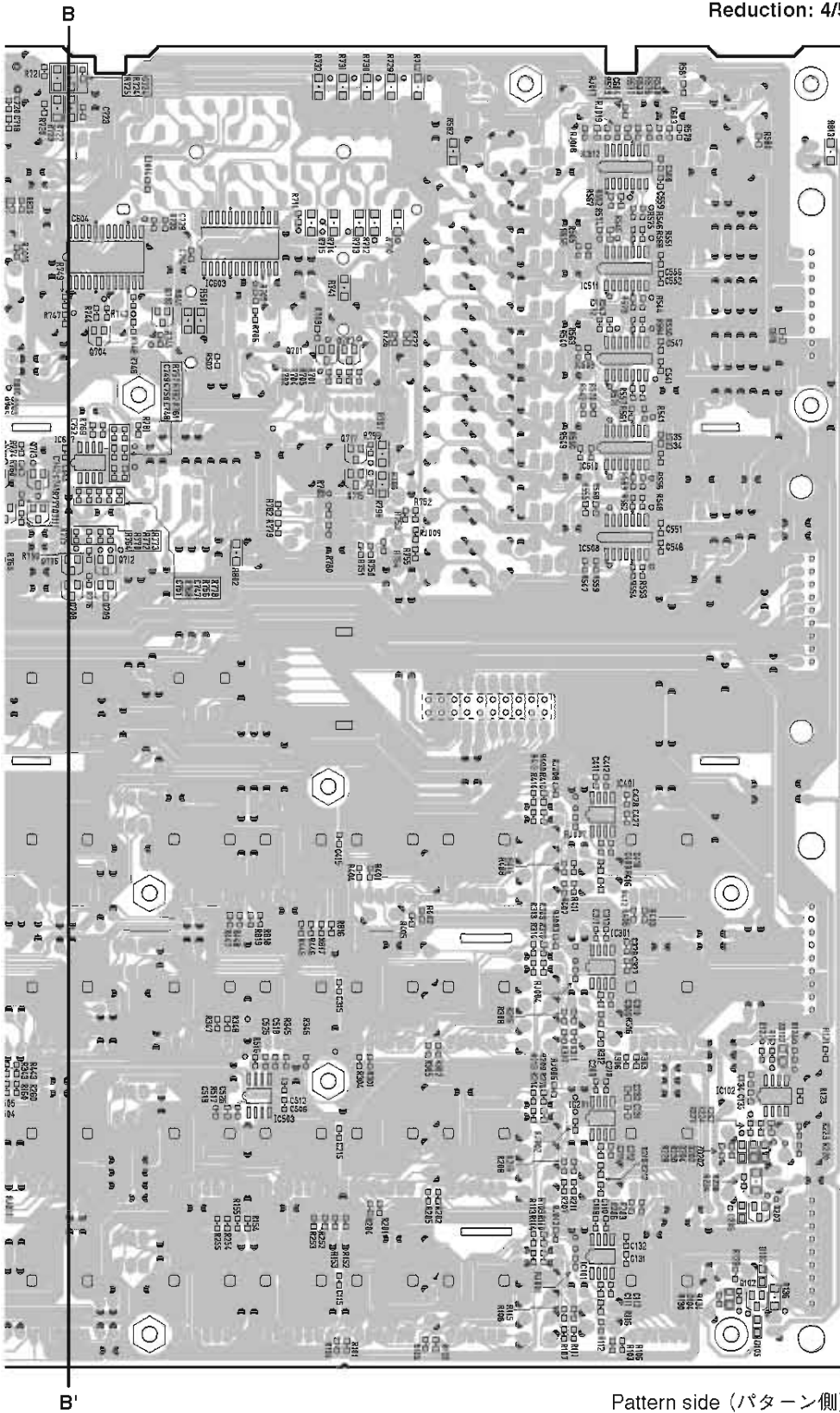
2NA-WF53290


- STMAS Circuit Board



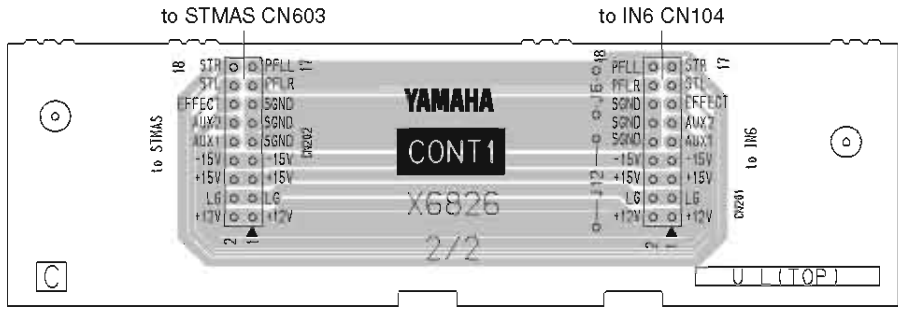
Pattern side (パターン側)

Reduction: 4/5

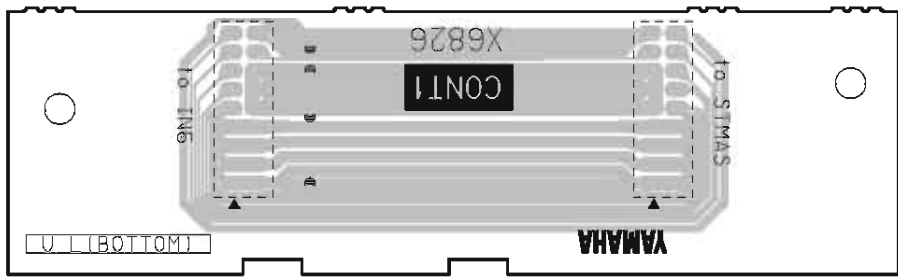


2NA-WF53290 

• CNT1 Circuit Board

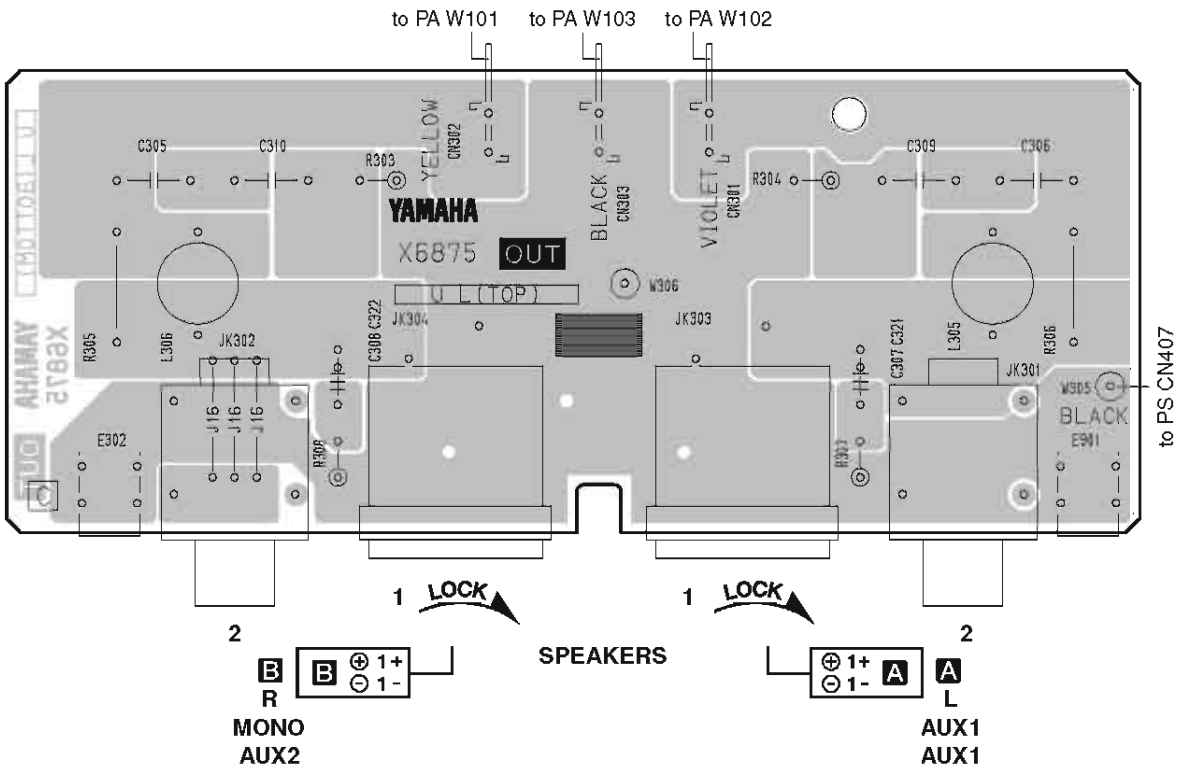


Component side (部品側)
2NA-WF53540 ▲



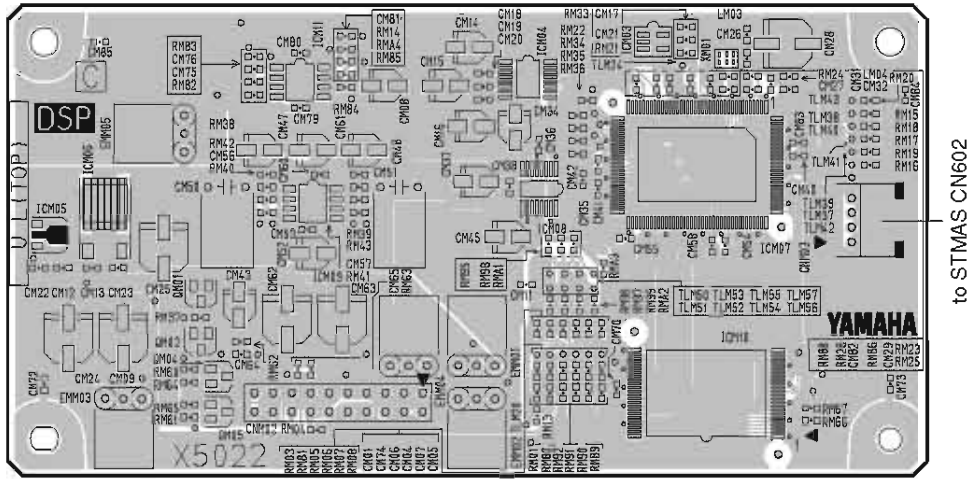
Pattern side (パターン側)
2NA-WF53540 ▲

• OUT Circuit Board



Component side (部品側)
2NA-WF57000 ▲

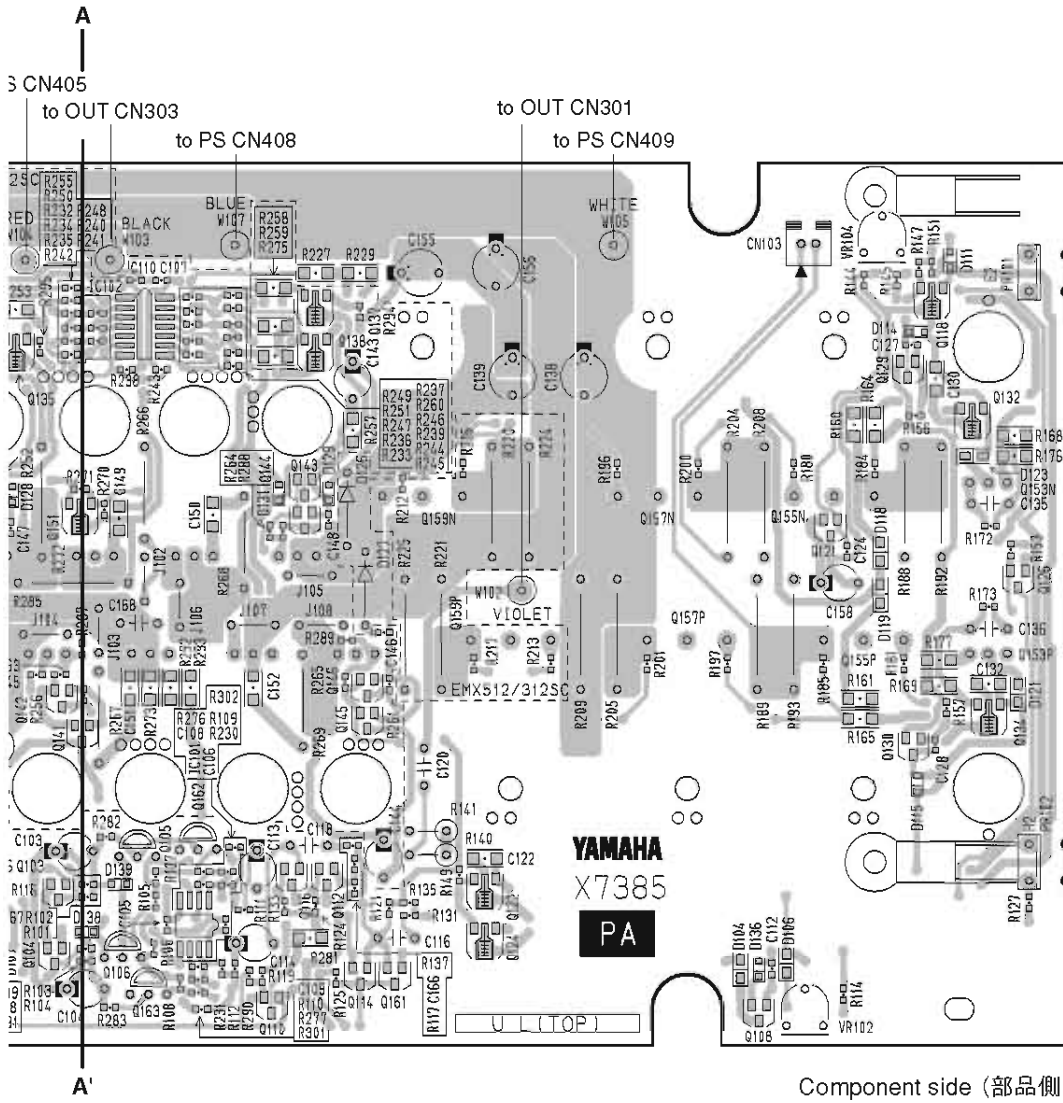
• DSP Circuit Board



Component side (部品側)
2NA-WC28100



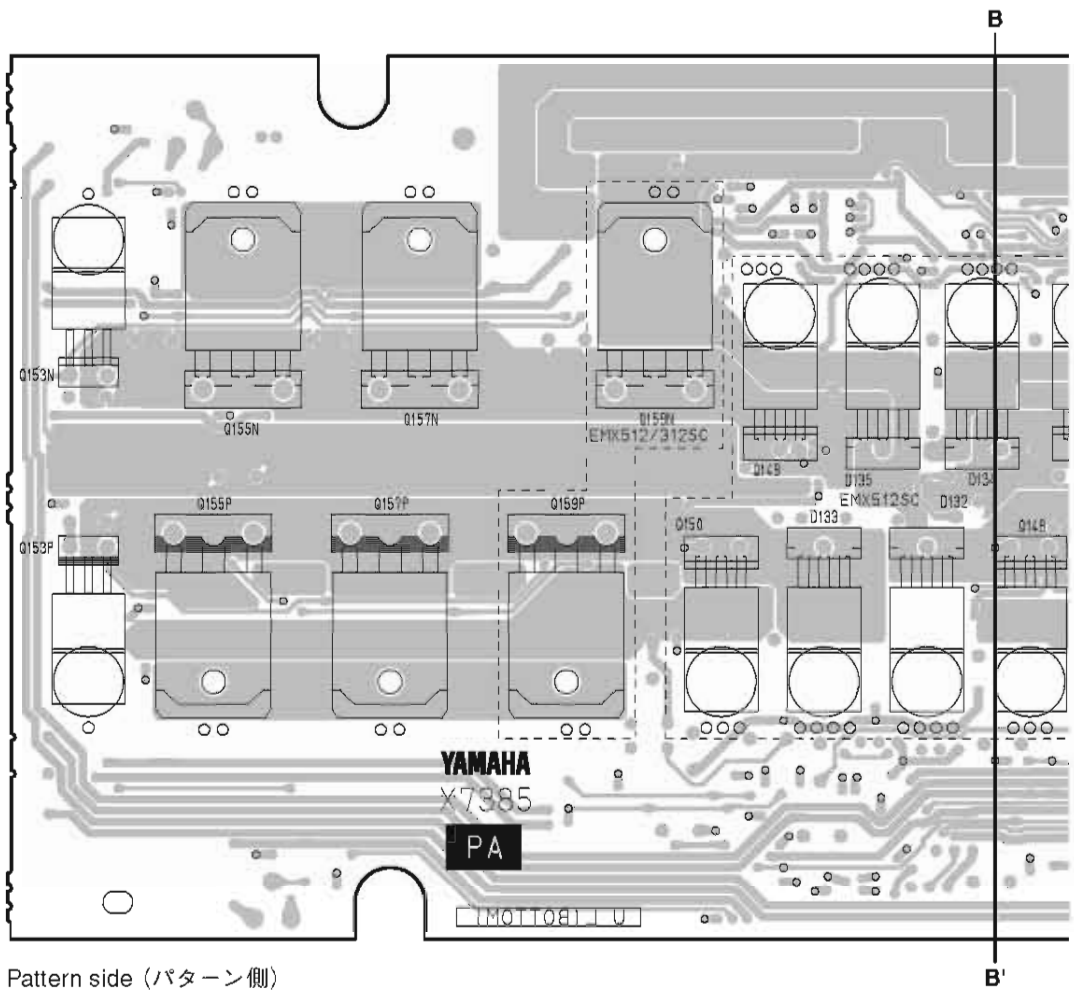
Pattern side (パターン側)
2NA-WC28100

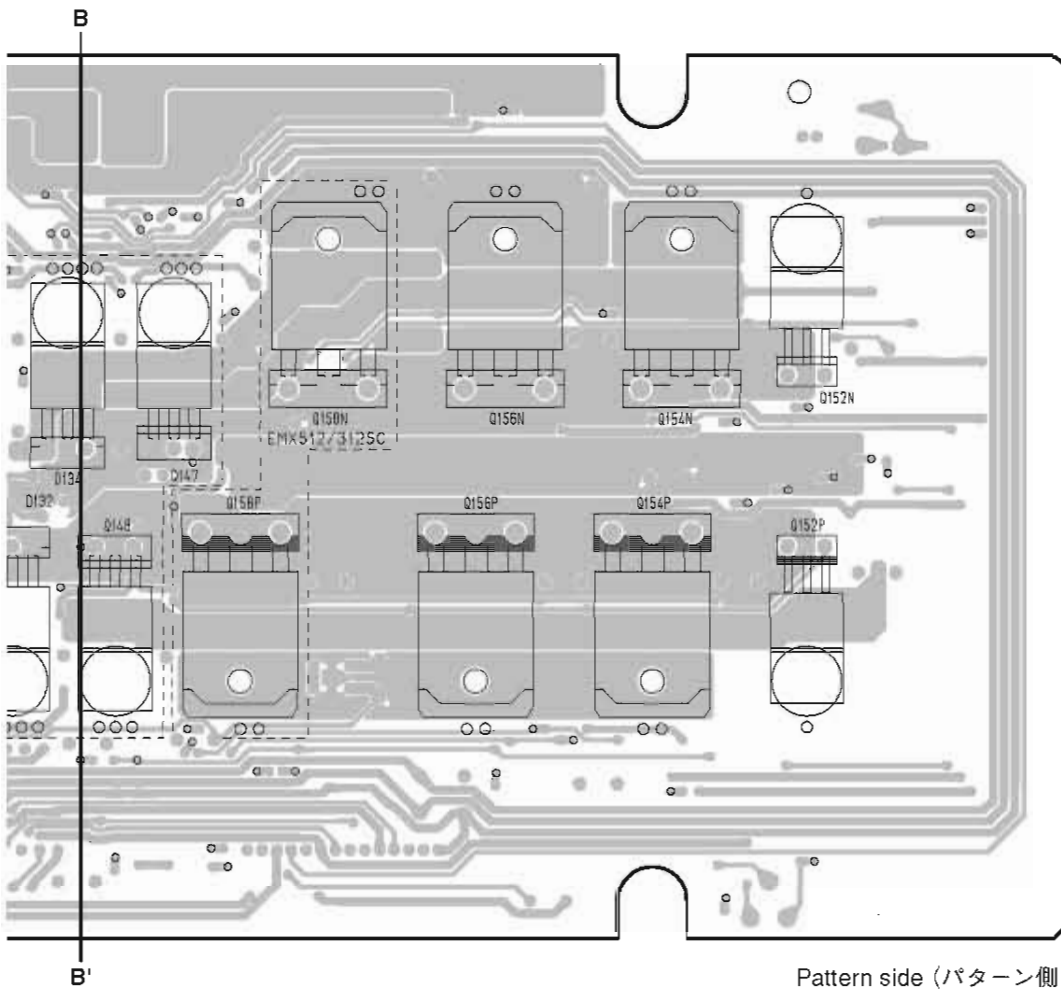


Component side (部品側)

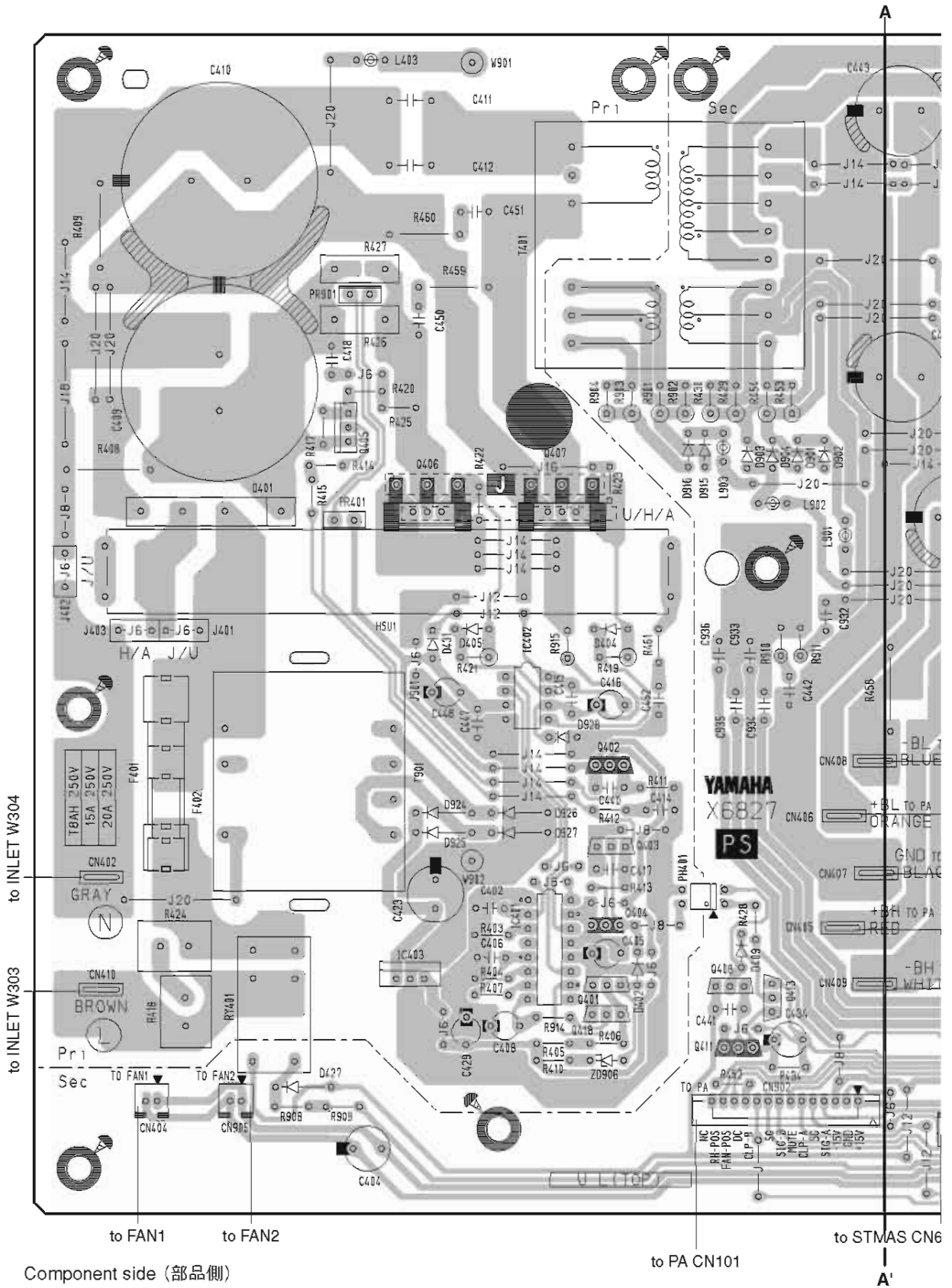
EMX5014C

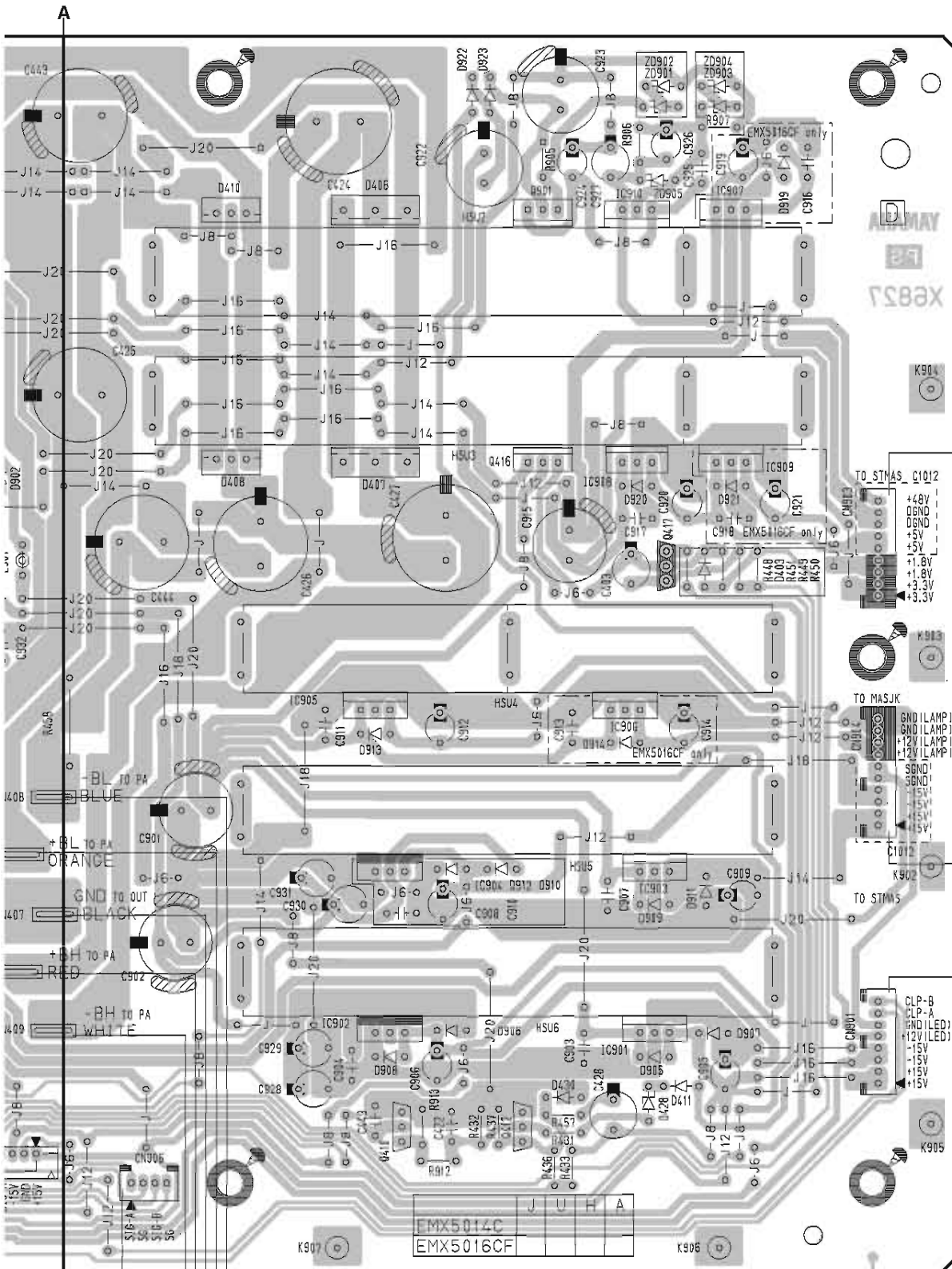
- PA Circuit Board





• PS Circuit Board



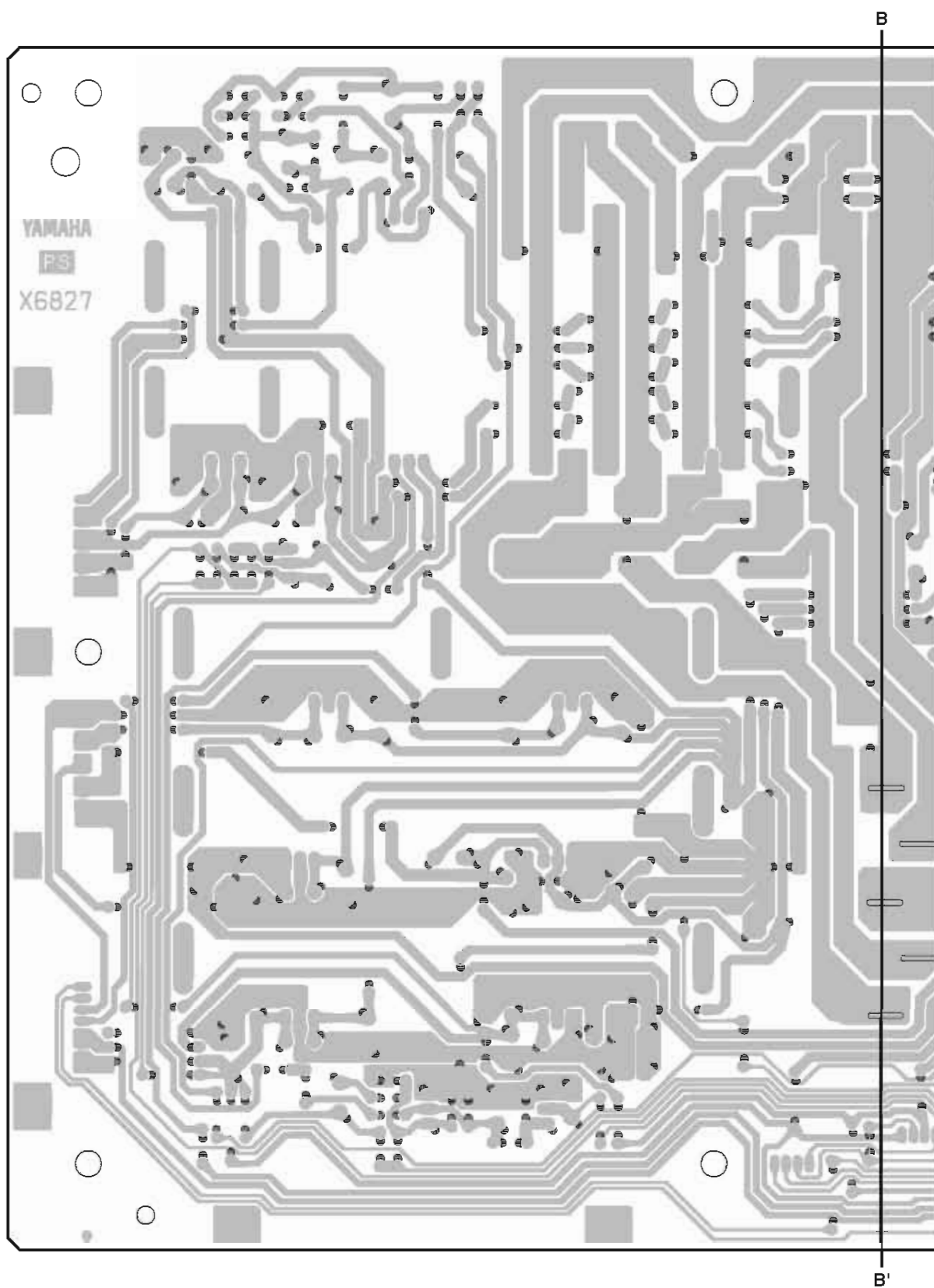


to STMAS CN605
 A'
 to PA W107
 to PA W106
 to OUT W305
 to PA W104
 to PA W105

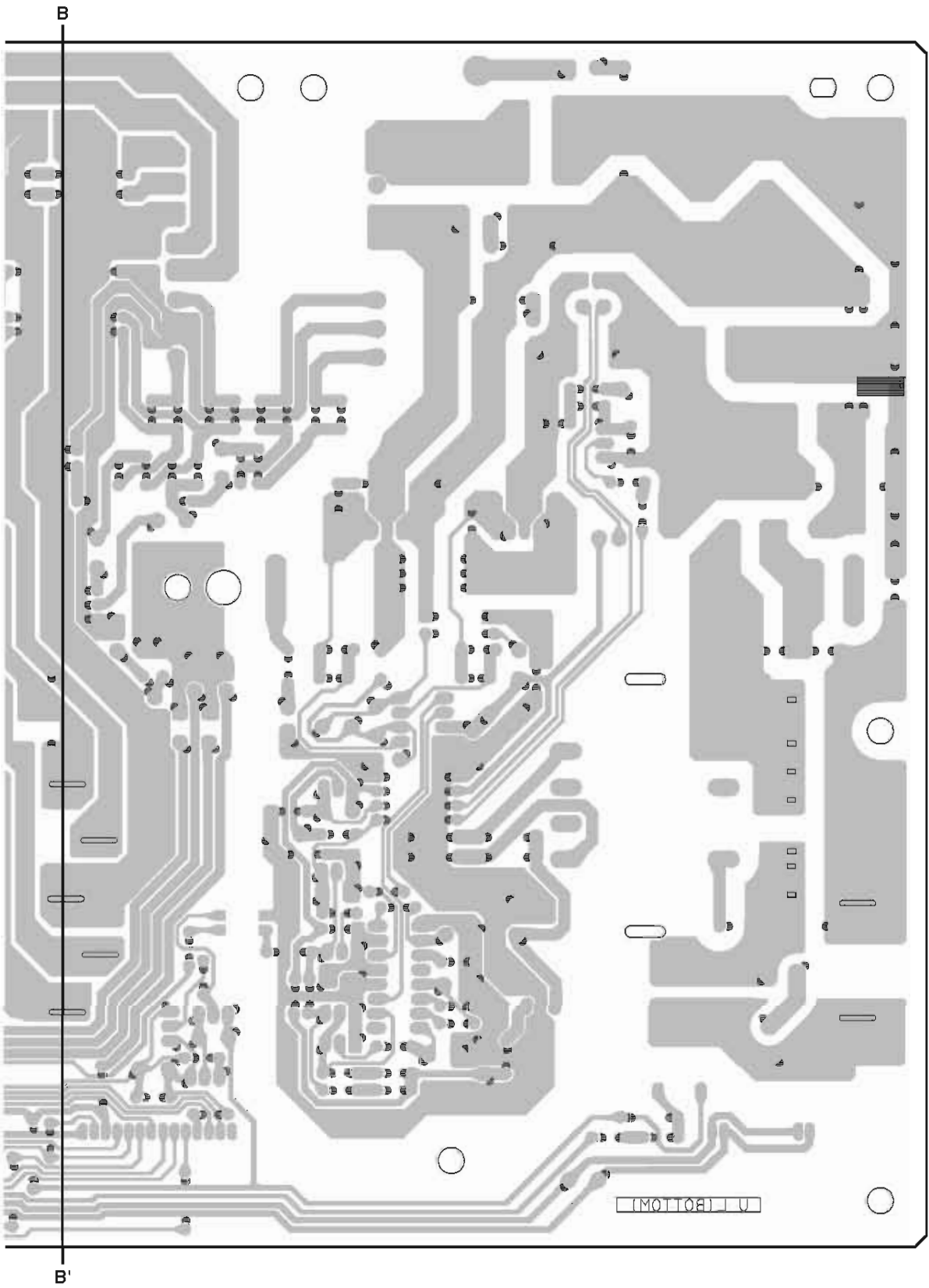
Component side (部品側)

2NA-WF56950

• PS Circuit Board



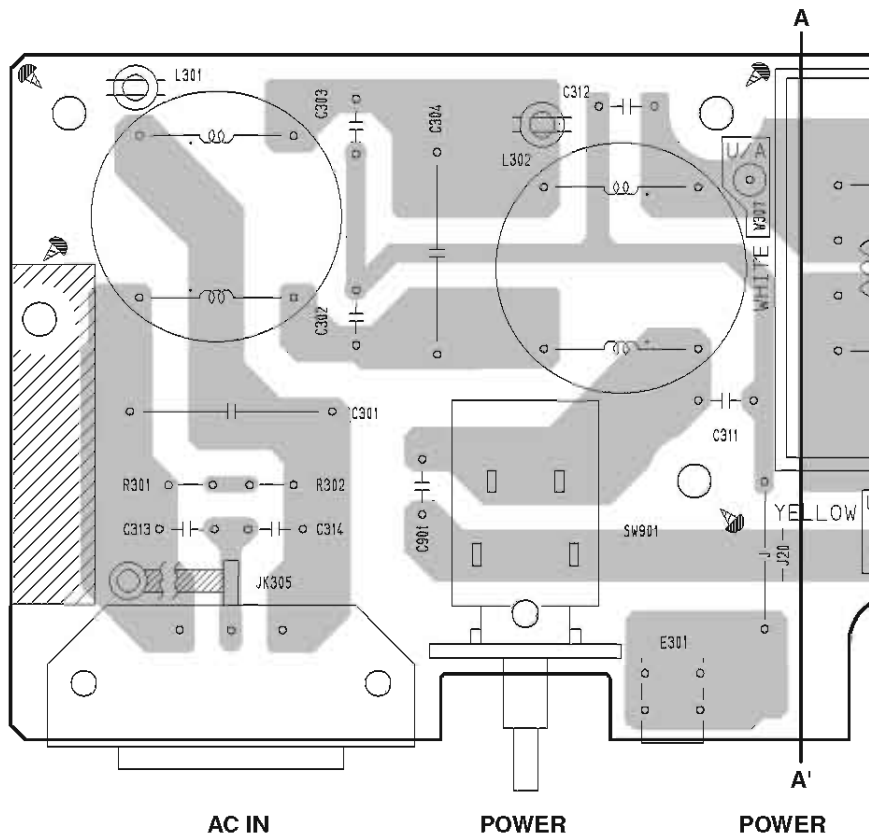
Pattern side (パターン側)



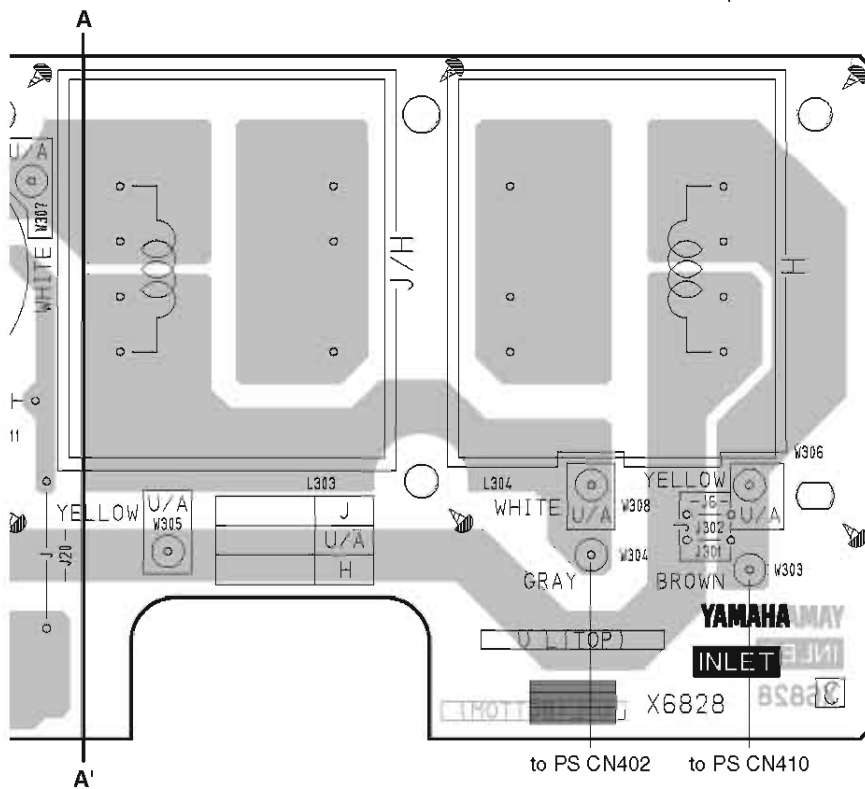
Pattern side (パターン側)

EMX5014C

• INLET Circuit Board



Component side (部品側)



■ INSPECTIONS

1. Measurement Conditions

1-1 Environment

- Normal temperature: 5 to 40 degree
- Normal humidity: 30 to 90 %

1-2 Power Source

The voltage is within ± 10 %.

- U : 120 V
- H : 230 V
- B : 230 V
- A : 240 V
- K : 230 V
- O : 230 V

2. Mixer Check

2-1 Preparation

- The load resistances for each output terminals are as follows:

| | |
|---------------------|----------------------------|
| INSERT OUT, REC OUT | : 10 k Ω |
| PHONES | : 40 Ω (=3W or >3W) |
| Others | : 600 Ω |
- Don't attach load resistance to SPEAKERS terminals.
- Unless otherwise specified, the controls should be set as follows:
 - CH INPUT (1-6)

| | |
|----------------------------------|--|
| 26dB switch | OFF |
| GAIN control | Maximum (-60 dBu) |
| $\sqrt{80}$ switch | OFF |
| COMP control | Minimum |
| EQ (HIGH, MID, LOW) GAIN control | CENTER |
| EQ MID freq control | Minimum |
| AUX1, AUX2 level control | Maximum |
| AUX2 PRE switch | OFF |
| EFFECT level control | Maximum |
| PAN control | L (turned counterclockwise fully) |
| ON switch | ON (indicator should light) when taking measurement only / OFF otherwise |
| PFL switch | ON (indicator should light) when taking measurement only / OFF otherwise |
| Channel fader | Maximum |
 - ST INPUT (7/8, 9/10)

| | |
|----------------------------------|--|
| GAIN control | Maximum (-60 dBu) |
| $\sqrt{80}$ switch | OFF |
| EQ (HIGH, MID, LOW) GAIN control | CENTER |
| AUX1, AUX2 level control | Maximum |
| AUX2 PRE switch | OFF |
| EFFECT level control | Maximum |
| PAN/BAL control | L (turned counter clockwise fully) |
| ON switch | ON (indicator should light) when taking measurement only / OFF otherwise |
| PFL switch | ON (indicator should light) when taking measurement only / OFF otherwise |
| Channel fader | Maximum |

EMX5014C

- ST INPUT (11/12, 13/14)
 - GAIN control Maximum (-60 dBu)
 - EQ (HIGH, MID, LOW) GAIN control CENTER
 - AUX1, AUX2 level control Maximum
 - AUX2 PRE switch OFF
 - EFFECT level control Maximum
 - BAL control L (turned counterclockwise fully)
 - ON switch ON (indicator should light) when taking measurement only / OFF otherwise
 - PFL switch ON (indicator should light) when taking measurement only / OFF otherwise
 - Channel fader Maximum
 - DIGITAL EFFECT
 - PROGRAM dial 1
 - PARAMETER control Minimum
 - AUX1, AUX2 level control Maximum when taking measurement only / MIN. otherwise
 - EFFECT ON switch OFF
 - PFL switch OFF
 - EFFECT RTN Fader Maximum when taking measurement only / MIN. otherwise
 - MASTER control
 - ST GRAPHIC EQUALIZER (9 band) fader CENTER
 - GEQ ON switch ON (indicator should light) when taking measurement only / OFF otherwise
 - AUX1, AUX2 AFL switch OFF
 - AUX1, AUX2 Fader Maximum
 - PHONES level control Maximum
 - ST SUB OUT level control Maximum
 - ST PFL switch OFF
 - ST AFL switch OFF
 - ST Master fader Maximum
 - PHANTOM
 - PHANTOM switch OFF
 - POWER AMP
 - Maximum Output switch 500 W
 - POWER AMP switch ST L, R
 - YS Processing switch OFF
 - OTHERS
 - STANDBY switch OFF
 - ST/AFL, PFL (METER select) switch OFF (ST)
- Unless otherwise specified, the input signal should be 1kHz sine wave.
 - The input signal impedance should be 150 Ω .

2-2 Indicator Inspection

Check the POWER indicator and DIGITAL EFFECT ON indicator light up when the unit is turned on. Also check that the fan is rotating at a low speed.

2-3 Gain

With controls set as specified in the section 2-1, check the output levels are in the range specified in the table 2-3-1 to 2-3-5. The difference in level between channels should be less than 2 dB.

Table 2-3-1 CH INPUT 1-6

| INPUT | INPUT LEVEL | GAIN | PAD | INSERT OUT | ST OUT (L, R) | ST SUB OUT (L, R) *2 | AUX1 | AUX2 (PRE SW OFF) | AUX2 (PRE SW ON) | EFFECT | PHONES (L, R) *3 |
|-----------|-------------|------|-----|------------|---------------|----------------------|----------|-------------------|------------------|----------|------------------|
| ① INPUT A | -80 dBu | Max. | OFF | -20 ±2 dBu | +1 ±2 dBu *1 | -3 ±2 dBu *1 | 0 ±2 dBu | +10 ±2 dBu | 0 ±2 dBu | 0 ±2 dBu | -11 ±2 dBu |
| | -36 dBu | Min. | | - | +1 ±2 dBu *1 | - | - | - | - | - | - |
| | -54 dBu | Max. | ON | - | +1 ±2 dBu *1 | - | - | - | - | - | - |
| INPUT B | -80 dBu | Max. | OFF | - | +1 ±2 dBu *1 | - | - | - | - | - | - |

*1 Measure with the PAN control set at the center position.

*2 Measure only the case of CH1.

*3 CH PFL switch ON

Table 2-3-2

| INPUT | INPUT LEVEL | REC OUT L | REC OUT R |
|-----------------|-------------|-------------|-------------|
| CH1 INSERT IN | 0 | +2.2 ±2 dBu | +2.2 ±2 dBu |
| CH2-6 INSERT IN | 0 | +2.2 ±2 dBu | - |

Table 2-3-3 CH INPUT 1

| INPUT | INPUT LEVEL | PHONES (L, R) *1 | PHONES (L, R) *2 | PHONES (L, R) *3 | PHONES (L, R) *4 |
|-----------|-------------|------------------|------------------|------------------|------------------|
| INSERT IN | -30 dBu | -11 ±2 dBu | -6 ±2 dBu | +4 ±2 dBu | -2 ±2 dBu |

*1 ST PFL switch ON

*2 AUX1 AFL switch ON

*3 AUX2 AFL switch ON

*4 ST AFL switch ON

Table 2-3-4 CH INPUT 7/8, 9/10

| INPUT | CH | INPUT LEVEL | GAIN | ST OUT L | ST OUT R | AUX1 | AUX2 (PRE SW OFF) | AUX2 (PRE SW ON) | EFFECT | PHONES (L, R) *2 |
|--------|-----------|-------------|------|--------------|--------------|---------------------|----------------------|---------------------|---------------------|------------------|
| ② MIC | 7/8, 9/10 | -80 dBu | Max. | +1 ±2 dBu *1 | +1 ±2 dBu *1 | +3 +1.5/-2.5 dBu | +13 +1.5/-2.5 dBu | +3 +1.5/-2.5 dBu | +3 +1.5/-2.5 dBu | -11 ±2 dBu |
| | | -36 dBu | Min. | +1 ±2 dBu *1 | +1 ±2 dBu *1 | - | - | - | - | - |
| ③ LINE | 7L (MONO) | -54 dBu | Max. | +4 ±2 dBu | - | - | - | - | - | - |
| | 9L (MONO) | | | - | +4 ±2 dBu | - | - | - | - | - |
| | 8R, 10R | | | - | +4 ±2 dBu | - | - | - | - | - |

*1 Measure with the PAN control set at the center position.

*2 CH PFL ON

Table 2-3-5 CH INPUT 7/8, 9/10

| INPUT | CH | INPUT LEVEL | GAIN | ST OUT L | ST OUT R | AUX1 | AUX2 (PRE SW OFF) | AUX2 (PRE SW ON) | EFFECT | PHONES (L, R) *2 |
|--------------|---------|-------------|------|--------------|--------------|---------------------|---------------------|---------------------|---------------------|------------------|
| ④ PHONE JACK | 11L,13L | -54 dBu | Max. | +1 ±2 dBu *1 | - | -3 +1.5/-2.5 dBu | +7 +1.5/-2.5 dBu | -3 +1.5/-2.5 dBu | -3 +1.5/-2.5 dBu | -11 ±2 dBu |
| | 12R,14R | | | - | +1 ±2 dBu *1 | -3 +1.5/-2.5 dBu | +7 +1.5/-2.5 dBu | -3 +1.5/-2.5 dBu | -3 +1.5/-2.5 dBu | -11 ±2 dBu |
| | 11L,13L | -10 dBu | Min. | +4 ±2 dBu | - | - | - | - | - | - |
| | 12R,14R | | | - | +4 ±2 dBu | - | - | - | - | - |
| PIN JACK | 11L,13L | -54 dBu | Max. | +4 ±2 dBu | - | - | - | - | - | - |
| | 12R,14R | | | - | +4 ±2 dBu | - | - | - | - | - |

*1 Measure with the PAN control set at the center position.

*2 CH PFL ON

2-4 Frequency Characteristic

In the signal route ① to ④ specified in the table 2-3-1 to 2-3-5, check the 20 Hz and 20 kHz frequency response of each output is within the range of +1/-3 dB compared with the 1 kHz (0 dB).

When the GAIN control is set to maximum, only 20 Hz frequency response is within the range of +1/-4.5 dB compared with the 1 kHz (0 dB).

2-5 Channel Equalizer Characteristics

With controls set as specified in the section 2-1, move each equalizer gain control (HIGH, MID, LOW) respectively and check the output level obtained at ST OUT for each frequency is within the range specified in the table 2-5-1 and table 2-5-2 compared with the output level obtained when each equalizer gain control is at center click position.

If the output level is out of range, change the frequency input within the range of ±20 % and check the variation width specified in the table 2-5-1 and table 2-5-2 is obtained.

Table 2-5-1 CH INPUT 1-6

| Equalizer control | Equalizer gain | Frequency control | Input frequency | Variation width |
|-------------------|----------------|-------------------|-----------------|-----------------|
| LOW | Max. | - | 100 Hz | +12 ±2 dB |
| | Min. | - | | -12 ±2 dB |
| MID | Max. | Min. | 250 Hz | +15 ±2.5 dB |
| | Min. | | | -15 ±2.5 dB |
| | Max. | Max | 5 kHz | +15 ±2.5 dB |
| | Min. | | | -15 ±2.5 dB |
| HIGH | Max. | - | 10 kHz | +12 ±2 dB |
| | Min. | - | | -12 ±2 dB |

Table 2-5-2 CH INPUT 7-14

| Equalizer control | Equalizer gain | Input frequency | Variation width |
|-------------------|----------------|-----------------|-----------------|
| LOW | Max. | 100 Hz | +12 ±2 dB |
| | Min. | | -12 ±2 dB |
| MID | Max. | 2.5 kHz | +15 ±2.5 dB |
| | Min. | | -15 ±2.5 dB |
| HIGH | Max. | 10 kHz | +12 ±2 dB |
| | Min. | | -12 ±2 dB |

2-6 HPF

With controls set as specified in the section 2-1, set the GAIN control minimum and input 80 Hz, -36 dBu signal to the input terminal of channels 1-9/10. Set the $\sqrt{80}$ switch on and then check the output level obtained at ST L OUT is within the range of -3 ±2 dB compared with the output level obtained when $\sqrt{80}$ switch is off.

2-7 Graphic Equalizer Characteristics

With controls set as specified in the section 2-1, set each graphic equalizer fader at maximum or minimum and check the output level obtained at ST OUT (L, R) for each frequency is within the range specified in the table 2-7 compared with the output level obtained when each graphic equalizer fader is at center click position.

If the output level is out of range, change the frequency input within the range of ±20 % and check the variation width specified in the table 2-7 is obtained.

Table 2-7

| | | 63 | 125 | 250 | 500 | 1 k | 2 k | 4 k | 8 k | 16 k |
|-----------------|------|-----------|--------|--------|--------|-------|-------|-------|-------|--------|
| Input frequency | | 63 Hz | 125 Hz | 250 Hz | 500 Hz | 1 kHz | 2 kHz | 4 kHz | 8 kHz | 16 kHz |
| Variation width | Max. | +12 ±2 dB | | | | | | | | |
| | Min. | -12 ±2 dB | | | | | | | | |

2-8 PEAK indicator light-up level

With controls set as specified in the section 2-1, input signal to the input terminal (INPUT A, MIC, PNONE) of channels 1-13/14 and then check the input level is within the range specified in table 2-8 when the PEAK indicator lights up.

Table 2-8

| INPUT | | PEAK indicator |
|----------------|---------|-----------------|
| CH 1-6 | INPUT A | -43 \pm 3 dBu |
| CH 7/8-9/10 | MIC IN | -49 \pm 3 dBu |
| CH 11/12-13/14 | PHONE | -17 \pm 3 dBu |

2-9 SIGNAL indicator light-up level

With controls set as specified in the section 2-1, input signal to the input terminal (INPUT A, MIC, PNONE) of channels 1-13/14 and then check the input level is within the range specified in table 2-9 when the SIGNAL indicator lights up.

Table 2-9

| INPUT | | SIGNAL indicator |
|----------------|---------|------------------|
| CH 1-6 | INPUT A | -70 \pm 3 dBu |
| CH 7/8-9/10 | MIC IN | -76 \pm 3 dBu |
| CH 11/12-13/14 | PHONE | -44 \pm 3 dBu |

2-10 FCL indicator light-up level

With controls set as specified in the section 2-1, check the FCL indicator lights up when the 1 kHz, -98 dBu signal is input to the input terminal (INPUT A) of channels 1-6. Also check the FCL indicator turns off when the -110 dBu signal is input.

With controls set as specified in the section 2-1, check the FCL indicator lights up when the 1 kHz, -68 dBu signal is input to the input terminal (MIC) of channels 7/8-9/10. Also check the FCL indicator turns off when the -80 dBu signal is input.

2-11 Lighting Check of LEVEL meters

Check the "PEAK" indicator of meter lights up when the output level at ST OUT (L, R) is +17.5 \pm 2 dBu.

Check the "0" indicator of meter lights up when the output level at ST OUT (L, R) is +4 \pm 2 dBu.

Move the ST master fader and check the indicators light up in order from "-20" to "PEAK".

2-12 Distortion Factor

In the signal route ① to ④ specified in the table 2-3-1 to 2-3-5, set each control of input channels and the MASTER controls to the nominal position. Then check the distortion is less than 0.1 % when the output signal level is +14 dBu.

Also set the PHONES level control to the center position, then check the distortion is less than 0.2 % when the PHONES output signal level is +3 dBu.

Note:

- Distortion should be measured with a 30-kHz low pass filter.

2-13 Maximum Output

In the state specified in the section 2-12, check the distortion factor is less than 1 % when the output level is +20 dBu at ST OUT (L,R) and AUX1/2 SEND. Also check the distortion factor is less than 1 % when the output level is +7.5 dBu at PHONES L/R.

Note:

- When measuring ST OUT, turn the PAN or PAN/BAL control to the left or the right fully.

2-14 Equivalent Input Noise

With controls set as specified in the section 2-1, connect pin 2 (hot) and pin 3 (cold) of the INPUT A terminals of channels 1 to 6 with 150 Ω and check the noise level obtained at ST OUT L is -44 dBu or less.

If the noise level exceeds -44 dBu, calculate the input converted noise level and check it is -128 dBu or less.

With controls set as specified in the section 2-1, connect pin 2 (hot) and pin 3 (cold) of the ST CH MIC INPUT terminals of channels 7/8 to 9/10 with 150 Ω and check the noise level obtained at ST OUT L is -40 dBu or less.

If the noise level exceeds -40 dBu, calculate the input converted noise level and check it is -124 dBu or less.

Notes:

- Set the LEVEL controls of input channels except measured one to minimum.
- Noise should be measured with a 12.7 KHz -6dB/octave low pass filter.
- The input converted noise level is obtained by subtracting the channel gain from the noise level.

2-15 Residual Noise

With controls set as specified in the section 2-1, set the LEVEL controls of all input channels to minimum.

Then check the noise level is less than the values in the table 2-15 when the MASTER control is set to maximum or minimum.

Table 2-15

| MASTER control | ST OUT | ST SUB OUT | AUX SEND | EFFECT SEND | PHONES |
|----------------|---------|------------|----------|-------------|---------|
| Max. | -75 dBu | -75 dBu | -70 dBu | -80 dBu | -75 dBu |
| Min. | -95 dBu | -95 dBu | -95 dBu | - | -95 dBu |

Note:

- Noise should be measured with a DIN AUDIO filter.

2-16 PHANTOM

Connect a 10 kΩ load resistance between pin 1 and pin 2 of the INPUT A or MIC terminal and short-circuit pin 2 and pin 3. Then turn on the PHANTOM switch and check the PHANTOM indicator lights up and the voltage between pin 1 and pin 2 is within +35 +2/-3 V.

2-17 DIGITAL EFFECT

Set the channel 1 as follows and input the -40 dBu signal to INPUT A of channel 1.

GAIN control, AUX 1 control, AUX 2 control: Min.

FADER, EFFECT control: Max.

Set the EFFECT RTN fader and EFFECT RTN AUX control to maximum and then check the output level obtained at ST is -10 dBu or more, the output level obtained at AUX is -15 dBu or more and the output level obtained at PHONES is -20 dBu or more with the condition specified in the table 2-17.

Table 2-17

| OUTPUT | Channel 1 ON switch | EFFECT RTN PFL | ST fader AUX send VR PHONES VR | Channel 1 PAN | PROGRAM dial | PARAMATER |
|----------|---------------------|----------------|--------------------------------------|---------------|--------------|-----------|
| ST L OUT | ON | OFF | Max. | R | 1 | Min. |
| ST R OUT | | | | L | | |
| AUX1, 2 | | | | - | | |
| PHONES L | | | | R | | |
| PHONES R | | | | L | | |

Next, input no signal and set the EFFECT control and FADER to minimum. Then check the noise level at ST OUT is -50 dBu or less. Also input a music source and check effect of the DIGITAL EFFECT at ST OUT (L, R) by listening.

Note:

- Noise should be measured with a DIN AUDIO filter.

2-18 STANDBY

With controls set as specified in the section 2-1, input signal from INPUT A of channel 1 and set each output level of ST OUT (L, R), AUX(1, 2) SEND and EFFECT SEND to +14 dBu. Then turn on the STANDBY switch and check the output level is -46 dBu or less and the STANDBY indicator lights up.

Note:

- Set the ON switch of channels 2-13/14 to OFF position.

2-19 COMP

2-19-1 GAIN

With controls set as specified in the section 2-1, set the COMP control of channels 1-6 to maximum. Then check the output level obtained at INSERT OUT 1-6 is within the range specified in the table 2-19-1.

Table 2-19-1

| Channels 1-6 | Input Level | COMP control | INSERT OUT 1-6 |
|--------------|-------------|--------------|----------------|
| INPUT A | -65 dBu | Max. | +3 ±2 dBu |

2-19-2 RATIO

Raise the input level by +10 dB and check the output level obtained at INSERT OUT 1-6 is within the range specified in the table 2-19-2 compared with the output level specified in the table 2-19-1.

Table 2-19-2

| Channels 1-6 | Input Level | INSERT OUT 1-6 |
|--------------|-------------|----------------|
| INPUT A | -55 dBu | +3.5 ±1 dBu |

2-19-3 Frequency Characteristic

With the condition specified in the section 2-19-2, set the signal frequency to 20 Hz and 20 kHz and check the output level obtained at INSERT OUT 1-6 is within the range of ±3 dB compared with the 1 kHz (0 dB).

2-19-4 Distortion Factor

With the condition specified in the section 2-19-2, set the signal frequency to 20 Hz, 1 kHz and 20 kHz and check the distortion is less than the value specified in the table 2-19-4.

Table 2-19-4

| Input Frequency | Distortion |
|-----------------|------------|
| 20 Hz | 4.0 % |
| 1 kHz | 1.5 % |
| 20 kHz | 1.0 % |

Note:

- Distortion should be measured with a 30-kHz low pass filter.

2-19-5 Attack Time and Release Time

With the condition specified in the section 2-19-2, check the attack time and the release time of the output obtained at INSERT OUT 1-6 is within the range specified in the table 2-19-5.

Table 2-19-5

| | ST OUT L |
|--------------|------------|
| Attack Time | 20 ±5 ms |
| Release Time | 200 ±60 ms |

Notes:

- Attack time: restoration time (at 90 %) after changing the input level from -68 dBu to -58 dBu. (Fig. 2-19-5)
- Release time: restoration time (at 90 %) after changing the input level from -58 dBu to -68 dBu. (Fig. 2-19-5)

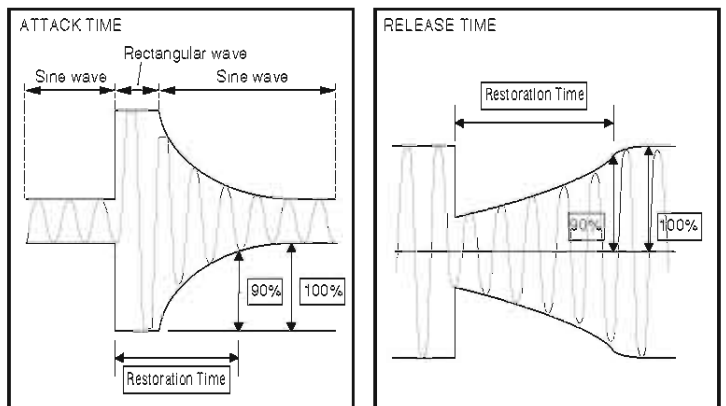


Fig. 2-19-5

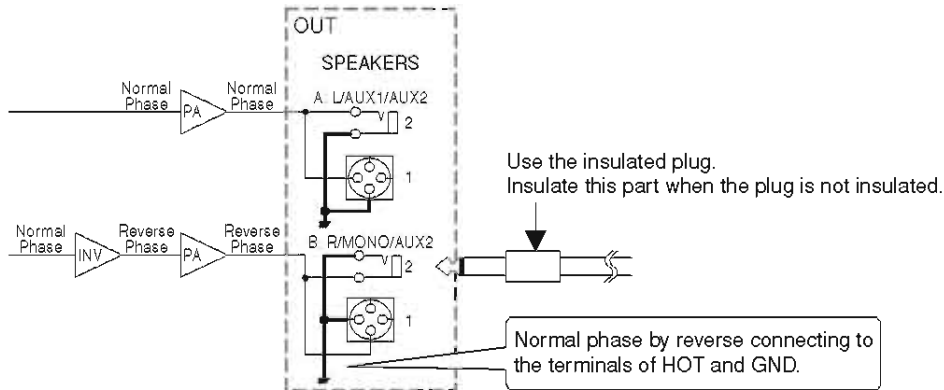
3. Power Amplifier Check

3-1 Preparation

- Unless otherwise specified, the controls and inputs should be set as follows:
 - Input terminal CH1, CH2 INSERT IN
 - POWER select switch 500 W
 - SIGNAL select switch ST L, R
 - Output terminal SPEAKERS A1, SPEAKERS B1
 - Load resistor $4 \Omega \pm 1 \%$
 - CH1 AUX1 level control Maximum
 - CH1 AUX2 level control Minimum
 - CH1 AUX2 PRE switch OFF
 - CH2 AUX1 level control Minimum
 - CH2 AUX2 level control Maximum
 - CH2 AUX2 PRE switch ON
 - CH1, CH2 EFFECT level control Minimum
 - CH1 PAN control L (turned counterclockwise fully)
 - CH2 PAN control R (turned clockwise fully)
 - CH1, CH2 ON switch ON
 - CH1, CH2 Fader Maximum
 - DIGITAL EFFECT ON switch OFF
 - AUX1, AUX2 Fader Maximum
 - ST Fader Maximum
- Unless otherwise specified, both channels set for drive.
- Unless otherwise specified, load resistance of SPEAKERS is connected only when inspecting a power amplifier.
- Unless otherwise specified, the input signal should be 1 kHz sine wave.
- The input signal impedance should be 150Ω .
- Use the load resistance with sufficient capacity.

Note:

- Since the output of B channel power amplifier is connected to the GND terminal of SPEAKERS B2, take care when you connect the cable to SPEAKERS B2. (Refer to following diagram.)



3-2 Gain

Input 1KHz, -20dB sine wave to the input terminal.
 Check the output voltage is within the range specified in the table 3-2.

Table 3-2

| POWER AMP switch | ST L, R | | | AUX1, MONO | AUX1, AUX2 |
|-----------------------|--------------|--------------|--------------|--------------|--------------|
| Maximum output switch | 500 W | 200 W | 75 W | 500 W | 500 W |
| SPEAKERS A1 | +29.2 ±2 dBu | +24.8 ±2 dBu | +20.6 ±2 dBu | +25.2 ±2 dBu | +25.2 ±2 dBu |
| SPEAKERS B1 | +29.2 ±2 dBu | +24.8 ±2 dBu | +20.6 ±2 dBu | +32.2 ±2 dBu | +25.2 ±2 dBu |

Note:

- The difference in the level between each output terminals should be 2 dB or less.

3-3 Output Noise Level

Set the channel fader of channel 1 and channel 2 and the ST master fader to minimum.
Then check the noise level at the output terminal is less than the value specified in the table 3-3.

Table 3-3

| |
|-------------------|
| SPEAKERS (A1, B1) |
| -68 dBu |

Note:

- Noise should be measured with a DIN AUDIO filter.

3-4 Protection Circuit for DC Fault

Disconnect load resistance from the output terminal.
Set the PAN control of channel 1 to center and the ON switch of channel 2 to OFF.
Set the LOW equalizer gain control of channel 1 to maximum and the POWER AMP switch to L/R.
Then check the POWER indicator does not turn off when inputting the 1 Hz, -3 dBu signal from INSERT IN terminal of channel 1.
After checking, set the PAN control of channel 1 to left and the ON switch of channel 2 to ON.

3-5 Frequency Response

<YS Processing switch: OFF>

Input the 20 Hz, 1 kHz and 20 kHz, -27 dBu sine wave and check the output terminal level is +1 dB, -3 dB compared with the 1 kHz.

<YS Processing switch: ON>

Input the 70 Hz, -27 dBu sine wave and check the output terminal level is $+6.5 \pm 2$ dB compared with the 1 kHz when the YS Processing switch is set to OFF.
Also check the YS Processing indicator lights up.

3-6 VI Limiter and Compressor

Connect $1 \Omega (\pm 5 \%)$ load resistance to the output terminal and input the 1 kHz, -23 dBu sine wave.
Then check the output terminal voltage is within the range specified in the table 3-6 and the distortion is less than 8 %. Also check the LIMITER indicator lights up.

Table 3-6

| |
|-------------------|
| SPEAKERS A1, B1 |
| $+24.5 \pm 2$ dBu |

Notes:

- Each channel should be inspected separately.
- Finish this inspection within 30 seconds.

3-7 Power Consumption

Input no signal and set the ST master fader to minimum.
Then check the primary electrical power is within the range specified in the table 3-7-1.

Table 3-7-1

| |
|-------------------|
| Power Consumption |
| 48 ± 12 W |

EMX5014C

3-7-1 Preparation

- Set the ST master fader to Max.
- Input the 1 kHz, -10 dBu sine wave to the input terminal.
- Adjust the channel fader of channel 1 so that the output terminal voltage of the SPEAKERS A1 terminal is $+22 \pm 0.1$ dBu.
- Adjust the channel fader of channel 2 so that the output terminal voltage of the SPEAKERS B1 terminal is $+22 \pm 0.1$ dBu.
- Do not touch the channel fader of channel 1 and the channel fader of channel 2 until this inspection is finished.

3-7-2 Inspection

Input the 1 kHz, -5.7 dBu sine wave and check the primary electrical power is within the range specified in the table 3-7-2.

Table 3-7-2

| |
|-------------------|
| Power Consumption |
| 360 ± 80 W |

3-8 Stability

3-8-1 Preparation

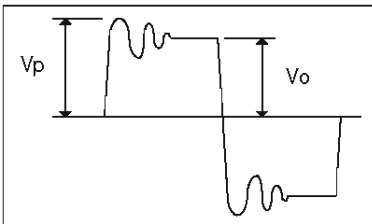
- Disconnect the load resistance from the output terminal.
- Input the 1 kHz, -10 dBu square wave. (effective value)
- Adjust the channel fader of channel 1 so that the output terminal voltage of the SPEAKERS A1 terminal is within the range specified in the table 3-8.
- Adjust the channel fader of channel 2 so that the output terminal voltage of the SPEAKERS B1 terminal is within the range specified in the table 3-8.
- Do not touch the channel fader of channel 1 and the channel fader of channel 2 until this inspection is finished.

Table 3-8

| |
|-----------------------------------|
| SPEAKERS (A1, B1) |
| $+24 \pm 2$ dBu (effective value) |

3-8-2 Inspection

Connect only the polyester film capacitor with capacity of $0.01 \mu\text{F}$ to the output terminal. Then check the overshoot and the ringing is as follows:



- Overshoot: $V_p/V_o < 2.5$
- Ringing: within 7 waves and no oscillation

3-9 Maximum Output Power

3-9-1 Preparation

- Input the 1 kHz, -10 dBu sine wave to the input terminal.
- Adjust the channel fader of channel 1 so that the output terminal voltage of the SPEAKERS A1 terminal is $+22 \pm 0.1$ dBu.
- Adjust the channel fader of channel 2 so that the output terminal voltage of the SPEAKERS B1 terminal is $+22 \pm 0.1$ dBu.
- Do not touch the channel fader of channel 1 and the channel fader of channel 2 until this inspection is finished.

3-9-2 Inspection 1

- Input the 20 Hz sine wave and check the distortion is less than 0.5 % when the output power specified in the table 3-9-2 is obtained.
- Input the 20 kHz sine wave and check the distortion is less than 0.5 % when the output power specified in the table 3-9-2 is obtained.

Table 3-9-2

| |
|-------------------|
| SPEAKERS (A1, B1) |
| 250 W+250 W |

Notes:

- Distortion should be measured with a 22 kHz low pass filter.
- Finish this inspection within 30 seconds.

3-9-3 Inspection 2

- Input the 1 kHz sine wave and check the distortion is less than 0.5 % when the output power specified in the table 3-9-3 is obtained.

Table 3-9-3

| |
|-------------------|
| SPEAKERS (A1, B1) |
| 500 W+500 W |

Notes:

- Distortion should be measured with a 22 kHz low pass filter.
- Finish this inspection within 30 seconds.

3-10 Factory Settings

- Equalizer gain control (HIGH, MID, LOW) : Center (0)
- Graphic equalizer fader (9-band) : Center (0)
- PAN, PAN/BAL, BAL control : Center
- Maximum output switch : 500W
- POWER AMP switch : L, R
- YS Processing switch : ON
- PROGRAM dial : 1 (REVERB HALL 1)
- PHANTOM switch : OFF
- Other VR controls : Minimum
- Other Faders : Minimum
- Other lock-push switches : OFF

■ 検査

1. 測定条件

1-1 環境

- ・ 常温：5～40℃
- ・ 常湿：30～90%

1-2 電源電圧

電源電圧(AC100V)の±10%で測定すること。

2. ミキサー部の検査

2-1 準備

- ・ 各出力端子の負荷抵抗は下記に従うこと。

| | |
|--------------------|----------------|
| INSERT OUT、REC OUT | ： 10 kΩ |
| PHONES | ： 40 Ω (3 W以上) |
| その他の出力 | ： 600 Ω |
- ・ SPEAKERS には負荷抵抗を付けないこと。
- ・ 特に指定の無い場合、ツマミ類は以下のように設定すること。
 - ・ CH INPUT(1-6)

| | |
|----------------------------|------------------------|
| 26dBスイッチ | OFF |
| GAINコントロール | 最大(-60 dBu) |
| $\sqrt{80}$ スイッチ | OFF |
| COMPコントロール | 最小 |
| EQ(HIGH、MID、LOW)GAINコントロール | CENTER |
| EQ MID周波数コントロール | 最小 |
| AUX1、AUX2レベルコントロール | 最大 |
| AUX2 PREスイッチ | OFF |
| EFFECTレベルコントロール | 最大 |
| PANコントロール | L(反時計方向一杯に回転) |
| ONスイッチ | 測定時ON(LEDが点灯のこと)、他はOFF |
| PFLスイッチ | 測定時ON(LEDが点灯のこと)、他はOFF |
| チャンネルフェーダー | 最大 |
 - ・ ST INPUT(7/8、9/10)

| | |
|----------------------------|------------------------|
| GAINコントロール | 最大(-60 dBu) |
| $\sqrt{80}$ スイッチ | OFF |
| EQ(HIGH、MID、LOW)GAINコントロール | CENTER |
| AUX1、AUX2レベルコントロール | 最大 |
| AUX2 PREスイッチ | OFF |
| EFFECTレベルコントロール | 最大 |
| PAN/BALコントロール | L(反時計方向一杯に回転) |
| ONスイッチ | 測定時ON(LEDが点灯のこと)、他はOFF |
| PFLスイッチ | 測定時ON(LEDが点灯のこと)、他はOFF |
| チャンネルフェーダー | 最大 |

- ・ ST INPUT(11/12、 13/14)
 - GAINコントロール 最大(-60 dBu)
 - EQ(HIGH、 MID、 LOW)GAINコントロール CENTER
 - AUX1、 AUX2レベルコントロール 最大
 - AUX2 PREスイッチ OFF
 - EFFECTレベルコントロール 最大
 - BALコントロール L(反時計方向一杯に回転)
 - ONスイッチ 測定時ON(LEDが点灯のこと)、他はOFF
 - PFLスイッチ 測定時ON(LEDが点灯のこと)、他はOFF
 - チャンネルフェーダー 最大
 - ・ DIGITAL EFFECT
 - PROGRAM選択ダイヤル 1
 - PARAMETERコントロール 最小
 - AUX1、 AUX2レベルコントロール 測定時のみ最大、他は最小
 - EFFECT ONスイッチ OFF
 - PFLスイッチ OFF
 - EFFECT RTNフェーダー 測定時のみ最大、他は最小
 - ・ MASTERコントロール
 - ST GRAPHIC EQUALIZER(9バンド)フェーダー CENTER
 - GEQ ONスイッチ 測定時ON(LEDが点灯のこと)、他はOFF
 - AUX1、 AUX2 AFLスイッチ OFF
 - AUX1、 AUX2フェーダー 最大
 - PHONESレベルコントロール 最大
 - ST SUB OUTレベルコントロール 最大
 - ST PFLスイッチ OFF
 - ST AFLスイッチ OFF
 - STマスターフェーダー 最大
 - ・ PHANTOM
 - PHANTOMスイッチ OFF
 - ・ POWER AMP
 - 最大出力切り替えスイッチ 500 W
 - POWER AMP切り替えスイッチ ST L、 R
 - YS Processingスイッチ OFF
 - ・ OTHERS
 - STANDBYスイッチ OFF
 - ST/AFL、 PFL(METERセレクト)スイッチ OFF(ST)
- ・ 特に指定の無い場合、入力信号は1 kHz正弦波とする。
- ・ 信号源インピーダンスは150 Ω とする。

2-2 インジケータの検査

電源投入時、POWERインジケータおよびDIGITAL EFFECT ONインジケータが点灯することを確認します。また、ファンが低速で回転していることを確認します。

2-3 利得

2-1の項で指定された設定状態で、各出力端子には表2-3-1～2-3-5の範囲内の出力レベルが得られることを確認します。
チャンネル間レベル差は、2 dB以下のこと。

表2-3-1 チャンネル入力(1～6)

| INPUT | INPUT LEVEL | GAIN | PAD | INSERT OUT | ST OUT (L, R) | ST SUB OUT (L, R)*2 | AUX1 | AUX2 (PRE SW OFF) | AUX2 (PRE SW ON) | EFFECT | PHONES (L, R)*3 |
|-----------|-------------|------|-----|------------|---------------|---------------------|---------|-------------------|------------------|---------|-----------------|
| ① INPUT A | -80 dBu | 最大 | OFF | -20±2 dBu | +1±2 dBu *1 | -3±2 dBu *1 | 0±2 dBu | +10±2 dBu | 0±2 dBu | 0±2 dBu | -11±2 dBu |
| | -36 dBu | 最小 | | - | +1±2 dBu *1 | - | - | - | - | - | - |
| | -54 dBu | 最大 | ON | - | +1±2 dBu *1 | - | - | - | - | - | - |
| INPUT B | -80 dBu | 最大 | OFF | - | +1±2 dBu *1 | - | - | - | - | - | - |

*1 PANコントロールをセンター位置に設定して測定

*2 チャンネル1の場合のみ測定

*3 チャンネルのPFLスイッチON

表2-3-2

| INPUT | INPUT LEVEL | REC OUT L | REC OUT R |
|-----------------|-------------|------------|------------|
| CH1 INSERT IN | 0 | +2.2±2 dBu | +2.2±2 dBu |
| CH2-6 INSERT IN | 0 | +2.2±2 dBu | - |

表2-3-3 チャンネル入力1

| INPUT | INPUT LEVEL | PHONES(L, R)*1 | PHONES(L, R)*2 | PHONES(L, R)*3 | PHONES(L, R)*4 |
|-----------|-------------|----------------|----------------|----------------|----------------|
| INSERT IN | -30 dBu | -11±2 dBu | -6±2 dBu | +4±2 dBu | -2±2 dBu |

*1 ST PFLスイッチON

*2 AUX1 AFLスイッチON

*3 AUX2 AFLスイッチON

*4 ST AFLスイッチON

表2-3-4 チャンネル入力7/8、9/10

| INPUT | CH | INPUT LEVEL | GAIN | ST OUT L | ST OUT R | AUX1 | AUX2 (PRE SW OFF) | AUX2 (PRE SW ON) | EFFECT | PHONES (L, R)*2 |
|--------|--------------------|-------------|------|-------------|-------------|---------------------|----------------------|---------------------|---------------------|-----------------|
| ② MIC | 7/8、9/10 | -80 dBu | 最大 | +1±2 dBu *1 | +1±2 dBu *1 | +3 +1.5/-2.5 dBu | +13 +1.5/-2.5 dBu | +3 +1.5/-2.5 dBu | +3 +1.5/-2.5 dBu | -11±2 dBu |
| | | -36 dBu | 最小 | +1±2 dBu *1 | +1±2 dBu *1 | - | - | - | - | - |
| ③ LINE | 7L(MONO) | -54 dBu | 最大 | +4±2 dBu | - | - | - | - | - | - |
| | 9L(MONO) 8R、10R | | | - | +4±2 dBu | - | - | - | - | - |

*1 PANコントロールをセンター位置に設定して測定

*2 チャンネルのPFL ON

表2-3-5 チャンネル入力7/8、9/10

| INPUT | CH | INPUT LEVEL | GAIN | ST OUT L | ST OUT R | AUX1 | AUX2 (PRE SW OFF) | AUX2 (PRE SW ON) | EFFECT | PHONES (L, R)*2 |
|--------------|---------|-------------|------|-------------|-------------|---------------------|---------------------|---------------------|---------------------|-----------------|
| ④ PHONE JACK | 11L、13L | -54 dBu | 最大 | +1±2 dBu *1 | - | -3 +1.5/-2.5 dBu | +7 +1.5/-2.5 dBu | -3 +1.5/-2.5 dBu | -3 +1.5/-2.5 dBu | -11±2 dBu |
| | 12R、14R | | | - | +1±2 dBu *1 | -3 +1.5/-2.5 dBu | +7 +1.5/-2.5 dBu | -3 +1.5/-2.5 dBu | -3 +1.5/-2.5 dBu | -11±2 dBu |
| | 11L、13L | -10 dBu | 最小 | +4±2 dBu | - | - | - | - | - | - |
| | 12R、14R | | | - | +4±2 dBu | - | - | - | - | - |
| PIN JACK | 11L、13L | -54 dBu | 最大 | +4±2 dBu | - | - | - | - | - | - |
| | 12R、14R | | | - | +4±2 dBu | - | - | - | - | - |

*1 PANコントロールをセンター位置に設定して測定

*2 チャンネルのPFL ON

2-4 周波数特性

表2-3-1、2-3-4、2-3-5(①～④)の信号系統において、印加信号周波数を20 Hz、20 kHzとした時、各出力端子の出力レベルは1 kHzを基準として、+1.0/-3.0 dBの範囲内にあることを確認します。

* GAINコントロール最大時の20 Hzのみ、+1.0 dB、-4.5 dBとする。

2-5 チャンネルEQ変化特性

2-1の項で指定された設定状態で、各EQゲインコントロール(HIGH、MID、LOW)をそれぞれ動かした時、ST OUTに得られる各周波数における出力レベルは、センタークリック位置の出力レベルを基準にして表2-5-1、2-5-2の範囲内にあることを確認します。

指定周波数において範囲内の出力レベルが得られない場合は、印加周波数を指定周波数の±20%の範囲で変化させ、表2-5-1、2-5-2の変化幅が得られることを確認します。

表2-5-1 チャンネル入力(1～6)

| EQ control | EQ gain | f control | Input frequency | Variation width |
|------------|---------|-----------|-----------------|-----------------|
| LOW | 最大 | - | 100 Hz | +12±2 dB |
| | 最小 | - | | -12±2 dB |
| MID | 最大 | 最小 | 250 Hz | +15±2.5 dB |
| | 最小 | | | -15±2.5 dB |
| | 最大 | 最大 | 5 kHz | +15±2.5 dB |
| | 最小 | | | -15±2.5 dB |
| HIGH | 最大 | - | 10 kHz | +12±2 dB |
| | 最小 | - | | -12±2 dB |

表2-5-2 チャンネル入力(7～14)

| EQ control | EQ gain | Input frequency | Variation width |
|------------|---------|-----------------|-----------------|
| LOW | 最大 | 100 Hz | +12±2 dB |
| | 最小 | | -12±2 dB |
| MID | 最大 | 2.5 kHz | +15±2.5 dB |
| | 最小 | | -15±2.5 dB |
| HIGH | 最大 | 10 kHz | +12±2 dB |
| | 最小 | | -12±2 dB |

2-6 HPF

2-1の項で指定された設定状態で、GAINコントロールを最小にして80 Hz、-36 dBuの信号を入力します。 $\sqrt{80}$ スイッチをONした時、ST L OUTの出力レベルは $\sqrt{80}$ スイッチがOFF時のレベルを基準に±3 dBの範囲内にあることを確認します。(チャンネル1～9/10)

2-7 GEQ変化特性

2-1の項で指定された設定状態で、GEQのフェーダーを最小または最大とした時、ST OUTに得られる各周波数における出力レベルは、センタークリック位置の出力レベルを基準として、表2-7の範囲内にあることを確認します。

指定周波数において範囲内の出力レベルが得られない場合は、印加周波数を指定周波数の±20%の範囲で変化させ、表2-9の変化幅が得られることを確認します。

表2-7

| | | 63 | 125 | 250 | 500 | 1 k | 2 k | 4 k | 8 k | 16 k |
|-----------------|----|----------|--------|--------|--------|-------|-------|-------|-------|--------|
| Input frequency | | 63 Hz | 125 Hz | 250 Hz | 500 Hz | 1 kHz | 2 kHz | 4 kHz | 8 kHz | 16 kHz |
| Variation width | 最大 | +12±2 dB | | | | | | | | |
| | 最小 | -12±2 dB | | | | | | | | |

2-8 PEAKインジケータ点灯レベル

2-1の項で指定された設定状態で、チャンネルのINPUT A、ST CH MICへ信号を印加した時、PEAKインジケータが点灯するレベルは、表2-8の範囲内であることを確認します。

表2-8

| 入力 | | PEAKインジケータ |
|----------------|---------|------------|
| CH 1-6 | INPUT A | -43±3 dBu |
| CH 7/8-9/10 | MIC IN | -49±3 dBu |
| CH 11/12-13/14 | PHONE | -17±3 dBu |

2-9 SIGNALインジケータ点灯レベル

2-1の項で指定された設定状態で、チャンネルのINPUT A、ST CH MICへ信号を印加した時、SIGNALインジケータが点灯するレベルは、表2-9の範囲内であることを確認します。

表2-9

| 入力 | | SIGNALインジケータ |
|----------------|---------|--------------|
| CH 1-6 | INPUT A | -70±3 dBu |
| CH 7/8-9/10 | MIC IN | -76±3 dBu |
| CH 11/12-13/14 | PHONE | -44±3 dBu |

2-10 FCLインジケータ点灯レベル

2-1の項で指定された設定状態で、チャンネル1～6の入力端子(INPUT A)に1 kHz、-98 dBuの信号を入力した時FCLインジケータが点灯し、-110 dBuの信号を入力した時FCLインジケータが消灯することを確認します。

CH7/8、9/10の入力端子(MIC)に1 kHz、-68 dBuの信号を入力した時FCLインジケータが点灯し、-80 dBuの信号を入力した時FCLインジケータが消灯することを確認します。

2-11 レベルメーター点灯確認

ST OUTの出力レベルが+17.5 ±2 dBu の時、メーターの“PEAK”が点灯することを確認します。

ST OUTの出力レベルが+4 ±2 dBuの時、メーターの“0”が点灯することを確認します。

STマスターフェーダーの操作により“-20”から“PEAK”まで順に点灯することを確認します。

2-12 歪率

表2-3-1、2-3-4、2-3-5の①～④の信号系統において、入力チャンネルの各コントロールおよびマスターのコントロールをノミナル位置に設定します。

各出力端子に+14 dBuの出力が得られた時の歪率は0.1%以下であることを確認します。

また、PHONESはlevelコントロールつまり12時の方向をNominal positionとして、この状態で+3 dBuの出力が得られた時の歪率は0.2%以下であることを確認します。

注意：

- ・ 歪率は30 kHzローパスフィルターを使用して測定すること。

2-13 最大出力

2-12の状態、ST OUT L/R、AUX1/2 SENDに+20 dBuの出力が得られた時、歪率が1%以下であることを確認します。

また、PHONES L/Rに+7.5 dBuの出力が得られた時、歪率が1%以下であることを確認します。

注意：

- ・ ST OUT測定時は、PANまたはPAN/BALコントロールをLまたはRに廻しきること。

2-14 入力換算雑音

2-1の項で指定された設定状態で、チャンネル1~6のINPUT A端子の2pin-Hotと3pin-Cold間を150 Ωで接続した時、ST OUT Lで得られるノイズレベルは-44 dBu以下であることを確認します。

ノイズレベルが-44 dBuを超える場合は、入力換算でのノイズレベルを求め、それが-128 dBu以下であることを確認します。チャンネル7/8-9/10のST CH MIC INPUT端子の2pin-Hotと3pin-Cold間を150 Ωで接続した時、ST OUT Lで得られるノイズレベルが-40 dBu以下であることを確認します。

ノイズレベルが-40 dBuを超える場合は、入力換算でのノイズレベルを求め、それが-124 dBu以下であることを確認します。

注意：

- ・測定チャンネル以外のLEVELコントロールは最小に設定すること。
- ・ノイズレベルはDIN AUDIOフィルターを使用して測定すること。
- ・入力換算ノイズレベル=(ノイズレベル)-(チャンネルゲイン)

2-15 残留雑音

2-1の項で指定された設定状態で、すべての入力チャンネルのLEVELコントロールを最小にします。

この時、MASTER部のLEVELコントロールを最大・最小にした時のノイズレベルは、表2-15のレベル以下であることを確認します。

表2-15

| MASTERコントロール | ST OUT | ST SUB OUT | AUX SEND | EFFECT SEND | PHONES |
|--------------|---------|------------|----------|-------------|---------|
| 最大 | -75 dBu | -75 dBu | -70 dBu | -80 dBu | -75 dBu |
| 最小 | -95 dBu | -95 dBu | -95 dBu | - | -95 dBu |

注意：

- ・ノイズレベルはDIN AUDIOフィルターを使用して測定すること。

2-16 PHANTOM

INPUT AまたはMIC端子の1番ピンと2番ピン間に負荷抵抗10 kΩを接続し、2番ピンと3番ピン間を短絡します。

PHANTOMスイッチをONした時、PHANTOMインジケータが点灯し負荷抵抗両端に+35 +2/-3 Vの電圧が得られることを確認します。

2-17 DIGITAL EFFECT

チャンネル1を次のように設定し、チャンネル1のINPUT Aに-40 dBuの信号を入力します。

* チャンネル1設定

GAINコントロール、AUX1コントロール、AUX2コントロール：最小

フェーダー、EFFECTコントロール：最大

EFFECT RTN フェーダーとEFFECT RTN AUXコントロールを最大にした時、表2-17の状態、STに-10 dBu以上、AUXに-15 dBu以上、PHONESに-20 dBu以上の出力レベルが得られることを確認します。

表2-17

| 出力 | チャンネル1： ONスイッチ | EFFECT RTN PFL | STマスターフェーダー AUX send VR PHONES VR | チャンネル1： PAN | PROGRAM SELECT スイッチ | PARAMETER |
|----------|-------------------|----------------|---|----------------|------------------------|-----------|
| ST L OUT | ON | OFF | 最大 | R | 1 | 最小 |
| ST R OUT | | | | L | | |
| AUX1、2 | | ON | | R | | |
| PHONES L | | | | L | | |
| PHONES R | | | | | | |

入力信号を無くし、CH EFFECT levelコントロールとCH LEVELコントロールを最小にした場合、ST OUTのノイズレベルは-50 dBu以下であることを確認します。

また、音楽ソースを入力して、DIGITAL EFFECTの効果を聴感で確認します。(ST OUT)

注意：

- ・ノイズレベルはDIN AUDIOフィルターを使用して測定すること。

2-18 STANDBY

2-1の項で指定された設定状態で、チャンネル1のINPUT Aより信号を入力し、ST OUT L/R、AUX(1、2) SEND、EFFECT SENDの各出力レベルを+14 dBuに設定します。

STANDBYスイッチをONした時、出力レベルが46 dBu以下となることを確認します。また、STANDBYインジケータが点灯することを確認します。

注意：

- ・チャンネル2～13/14のONスイッチはOFFに設定すること。

2-19 COMP

2-19-1 ゲイン

2-1の項で指定された設定状態で、チャンネル1-6のCOMPコントロールを最大に設定した時、各INSERT OUTに得られる出力レベルは、表2-19-1の範囲内にあることを確認します。

表2-19-1

| チャンネル1-6 | INPUT LEVEL | COMPコントロール | INSERT OUT 1-6 |
|----------|-------------|------------|----------------|
| INPUT A | -65 dBu | 最大 | +3±2 dBu |

2-19-2 レシオ

入力レベルを+10 dB上げた時、INSERT OUT 1-6に得られる出力レベルは、2-19-1の出力レベルを基準として、表2-19-2の範囲内にあることを確認します。

表2-19-2

| チャンネル1-6 | INPUT LEVEL | INSERT OUT 1-6 |
|----------|-------------|----------------|
| INPUT A | -55 dBu | +3.5±1 dB |

2-19-3 周波数特性

表2-19-2の状態、信号周波数を20 Hz、20 kHzとした時、INSERT OUTに得られる出力レベルは、1 kHz(0 dB)を基準として、±3 dBの範囲内にあることを確認します。

2-19-4 歪率

表2-19-2の状態、信号周波数を20 Hz、1 kHz、20 kHzとした時、歪率は表2-19-4の値以下であることを確認します。

表2-19-4

| 入力周波数 | 歪率 |
|--------|-------|
| 20 Hz | 4.0 % |
| 1 kHz | 1.5 % |
| 20 kHz | 1.0 % |

注意：

- ・歪率は30 kHzローパスフィルターを使用して測定すること。

2-19-5 アタック時間、リリース時間

表2-19-2の状態、INSERT OUTに得られる出力のアタック時間、リリース時間は、表2-19-5の範囲内にあることを確認します。

表2-19-5

| | ST OUT L |
|--------|-----------|
| アタック時間 | 20±5 ms |
| リリース時間 | 200±60 ms |

注意：

- ・アタック時間：入力レベルを-68 dBuから-58 dBuに切り替えた時の復帰時間(90 %時)
- ・リリース時間：入力レベルを-58 dBuから-68 dBuに切り替えた時の復帰時間(90 %時)

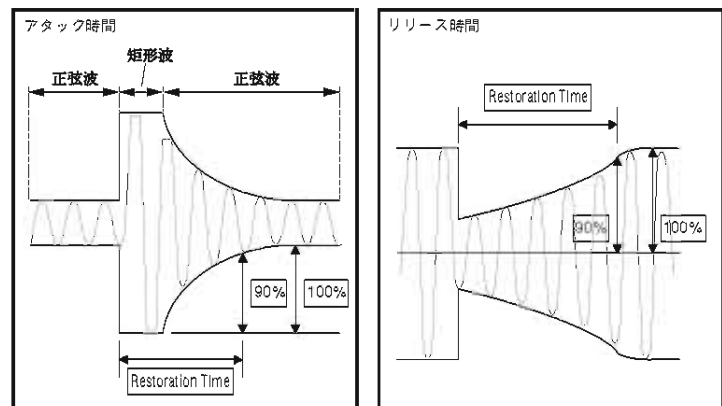
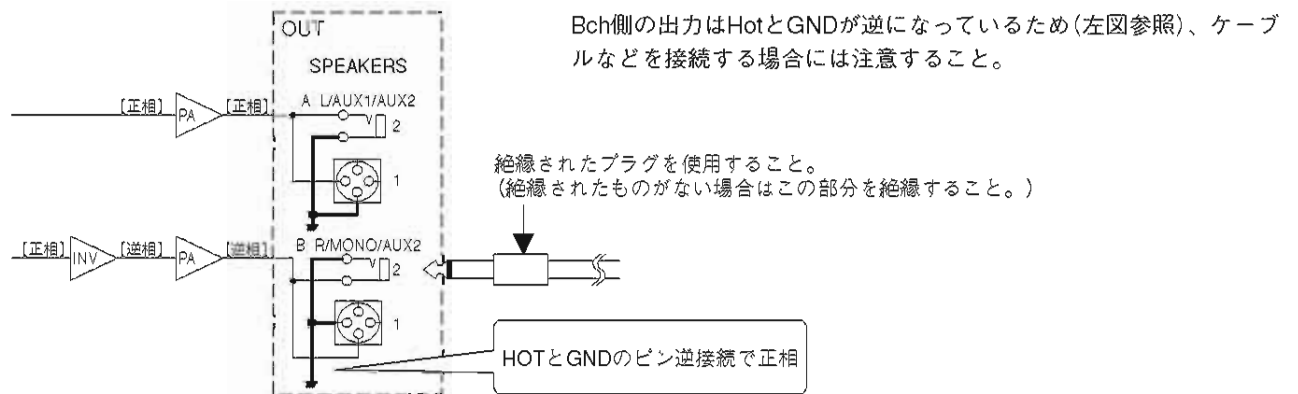


図2-19-5

3. パワーアンプ部の検査

3-1 準備

- ・ 特に指定の無い場合、ツマミ類は以下のように設定すること。
 - ・ 入力端子 CH1, CH2 INSERT IN
 - ・ 最大出力切り替えスイッチ 500 W
 - ・ 切り替えスイッチ ST L, R
 - ・ 出力端子 SPEAKERS A1、SPEAKERS B1
 - ・ 負荷抵抗 $4 \Omega \pm 1\%$
 - ・ CH1 AUX1レベルコントロール 最大
 - ・ CH1 AUX2レベルコントロール 最小
 - ・ CH1 AUX2 PREスイッチ OFF
 - ・ CH2 AUX1レベルコントロール 最小
 - ・ CH2 AUX2レベルコントロール 最大
 - ・ CH2 AUX2 PREスイッチ ON
 - ・ CH1、CH2 EFECTレベルコントロール 最小
 - ・ CH1 PANコントロール L (反時計方向一杯に回転)
 - ・ CH2 PANコントロール R (時計方向一杯に回転)
 - ・ CH1、CH2 ONスイッチ ON
 - ・ CH1、CH2フェーダー 最大
 - ・ DIGITAL EFECT ONスイッチ OFF
 - ・ AUX1、AUX2フェーダー 最大
 - ・ STマスターフェーダー 最大
- ・ 特に指定の無い場合、両チャンネル駆動とする。
 - ・ 特に指定のない場合、SPEAKERSの負荷抵抗はパワーアンプ部の検査時のみ接続すること。
 - ・ 特に指定の無い場合、入力信号は1kHz正弦波とする。



- ・ 信号源インピーダンスは 150Ω とする。
- ・ 負荷抵抗は容量が十分余裕のあるものを使用すること。

3-2 利得

入力端子に1 kHz、-20 dBuの正弦波を入力します。
各出力端子に表3-2の範囲内の出力電圧が得られることを確認します。

表3-2

| SIGNAL select switch | ST L, R | | | AUX1、MONO | AUX1、AUX2 |
|----------------------|-------------------|-------------------|-------------------|-------------------|-------------------|
| POWER select switch | 500 W | 200 W | 75 W | 500 W | 500 W |
| SPEAKERS A1 | $+29.2 \pm 2$ dBu | $+24.8 \pm 2$ dBu | $+20.6 \pm 2$ dBu | $+25.2 \pm 2$ dBu | $+25.2 \pm 2$ dBu |
| SPEAKERS B1 | $+29.2 \pm 2$ dBu | $+24.8 \pm 2$ dBu | $+20.6 \pm 2$ dBu | $+32.2 \pm 2$ dBu | $+25.2 \pm 2$ dBu |

注意：

- ・ 各出力端子(SPEAKERS A1、SPEAKERS B1)間レベル差は2 dB以下のこと。

3-3 出力ノイズレベル

チャンネル1、およびチャンネル2のフェーダーを最小、STマスターフェーダーを最小にした時、出力端子のノイズレベルは表3-3以下であることを確認します。

表3-3

| |
|------------------|
| SPEAKERS (A1、B1) |
| -68 dBu |

注意：

- ・ ノイズレベルはDIN AUDIOフィルターを使用して測定すること。

3-4 プロテクション回路

出力端子から負荷抵抗をはずします。

チャンネル1のPANコントロールをセンターに設定し、チャンネル2のONスイッチをOFFに設定します。EQ LOW GAINコントロールを最大に設定し、POWER AMP切り替えスイッチをST L、Rに設定します。

1 Hz、-3 dBuの正弦波をチャンネル1のINSERT INから入力したとき、POWERインジケータが消灯しないことを確認します。

確認終了後、チャンネル1のPANコントロールをLに、チャンネル2のONスイッチをONに戻してください。

3-5 周波数特性

<YS ProcessingスイッチOFF>

20 Hz、1 kHz、20 kHz、-27 dBuの正弦波を入力した時、出力端子電圧が1 kHzを基準に+1.0 dB、-3.0 dB以内であることを確認します。

<YS ProcessingスイッチON>

70 Hz、-27 dBuの正弦波を入力した時の出力電圧は、1 kHz、YS ProcessingスイッチOFF時の出力電圧を基準に+6.5±2.0 dB以内であることを確認します。

また、YS Processing LEDが点灯することを確認します。

3-6 Vリミッター及びコンプ

出力端子に1 Ω (±5%)の負荷抵抗を接続し1 kHz、-23.0 dBuの正弦波を入力した時、出力電圧は表3-6の範囲であることを確認します。また、歪率は8%以下であり、LIMITER LEDが点灯することを確認します。

表3-6

| |
|----------------|
| SPEAKERS A1、B1 |
| +24.5±2 dBu |

注意：

- ・ この測定は片チャンネルごとに行うこと。
- ・ またこの検査は、30秒以内に終了すること。

3-7 消費電力

STマスターフェーダーを最小にした時、一次電力を測定し表3-7-1の範囲であることを確認します。

表3-7-1

| |
|---------|
| 消費電力 |
| 48±12 W |

3-7-1 準備

- ・ STマスターフェーダーを最大に設定します。
- ・ 入力端子に1 kHz、-10 dBuの正弦波を入力し、SPEAKERS A1が+22±0.1 dBuになるようにチャンネル1のフェーダーを調整します。
- ・ 次にSPEAKERS B1が+22 ±0.1 dBuになるようにチャンネル2のフェーダーを調整します。
- ・ 調整終了後はこの検査が終わるまでチャンネル1、およびチャンネル2のフェーダーには触らないでください。

3-7-2 検査

1 kHz、-5.7 dBuの正弦波を入力します。このとき一次電力を測定し表3-7-2の範囲内であることを確認します。

表3-7-2

| |
|----------|
| 消費電力 |
| 360±80 W |

3-8 安定度

3-8-1 準備

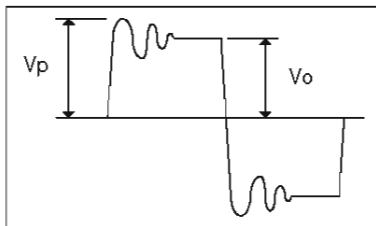
- ・ 出力端子から負荷抵抗をはずします。
- ・ 入力端子には1 kHz、-10 dBu)の方形波を入力します。
- ・ 出力端子電圧(SPEAKERS A1)が表3-8の範囲内になるようにチャンネル1のフェーダーを調整します。
- ・ 出力端子電圧(SPEAKERS B1)が表3-8の範囲内になるようにチャンネル2のフェーダーを調整します。
- ・ 調整終了後はこの検査が終わるまでチャンネル1、およびチャンネル2のフェーダーには触らないでください。

表3-8

| |
|-----------------|
| SPEAKERS(A1、B1) |
| +24±2 dBu |

3-8-2 検査

出力端子に純容量0.01 μF(フィルムコンデンサ)のみを接続します。
このとき発振せずに以下の条件を満たしていることを確認します。



オーバーシュート： $V_p/V_o < 2.5$

リングング：7波以内に収束し、発振などを生じない

3-9 最大出力

3-9-1 準備

- ・ 入力端子に1 kHz、-10 dBuの正弦波を入力しSPEAKERS A1が+22 ±0.1 dBuになるようにチャンネル1のフェーダーを調整します。
- ・ 次にSPEAKERS B1が+22±0.1 dBuになるようにチャンネル2のフェーダーを調整します。
- ・ 調整終了後はこの検査が終わるまでチャンネル1、およびチャンネル2のフェーダーには触らないでください。

3-9-2 検査1

入力端子に20 Hz、20 kHzの正弦波を入力した時、表3-9-2に示す出力を得た時の歪率は0.5%以下であることを確認します。

表3-9-2

| |
|------------------|
| SPEAKERS (A1、B1) |
| 250 W+250 W |

注意：

- ・ この検査は、30秒以内に終了してください。

3-9-3 検査2

入力端子に1 kHzの正弦波を入力した時、表3-9-3に示す出力を得た時の歪率は0.5%以下であることを確認します。

表3-9-3

| |
|------------------|
| SPEAKERS (A1、B1) |
| 500 W+500 W |

注意：

- ・ この検査は、30秒以内に終了してください。

3-10 工場出荷時の設定

- ・ EQ GAINコントロール(HIGHT、MID、LOW) : センター(0)
- ・ GEQフェーダー(9-band) : センター(0)
- ・ PAN、PAN/BAL、BALコントロール : センター
- ・ 最大出力切り替えスイッチ : 500 W
- ・ POWER AMP切り替えスイッチ : L、R
- ・ YS Processingスイッチ : ON
- ・ PROGRAM選択ダイヤル : 1(REVERB HALL 1)
- ・ PHANTOMスイッチ : OFF
- ・ その他のVRコントロール : 最小
- ・ その他のフェーダー : 最小
- ・ その他のLock-PUSHスイッチ : OFF

■ PA UNIT INSPECTION

1. Measuring Conditions

1-1 Environment

- Normal temperature: 5 to 40 degree
- Normal humidity: 30 to 90 %

1-2 Power Source

Supply the power to PA unit via the PS circuit board.

| +BH Voltage | +BL Voltage | -BL Voltage | -BH Voltage |
|-------------|-------------|-------------|-------------|
| 96 V | 48 V | -48 V | -96 V |

1-3 Measuring Instruments

Use the reliable measuring device capable of measuring the specification values indicated in this document precisely.

1-4 Input Impedance of Measuring Instruments

Input impedance of measuring instrument should be more than 1 MΩ.

2. Inspection

2-1 Preparation

- Load resistance: 4 ohms \pm 1 %
- Turn the variable resistor VR101-VR104 counterclockwise completely before supplying the power.
- Unless otherwise specified, only single channel set for drive.
- Unless otherwise specified, the input signal should be high quality sine wave.
- For details on connection of measuring circuit, see Fig. 3-1 on page 83.

2-2 Input and Output

- Input of channel A : The voltage between pin 4 of CN101 and GND (pin 5 of CN101).
- Input of channel B : The voltage between pin 8 of CN101 and GND (pin 9 of CN101).
- Output of channel A : The voltage between W102 and GND (W103).
- Output of channel B : The voltage between W101 and GND (W103).

2-3 Inspection and Adjustment

Parts related to inspection and adjustment are shown as follows. (Fig. 2-3-1)

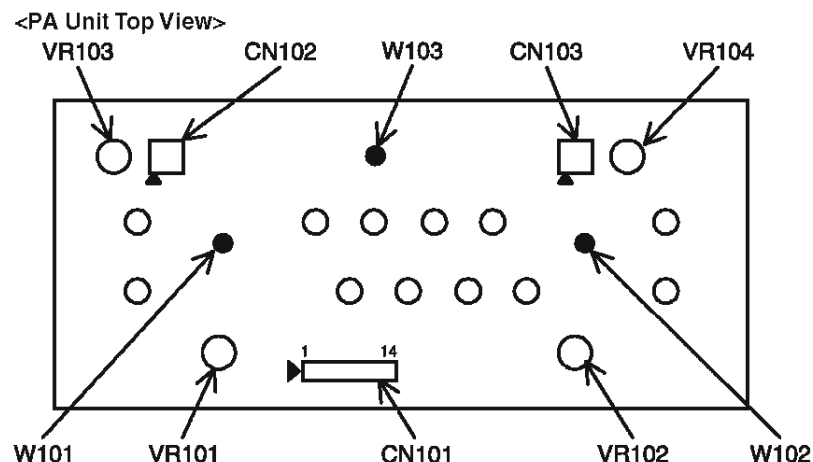


Fig. 2-3-1

2-4 Idle Current

Connect the input of channel A and channel B to the GND.

Set VR104 (channel A) and VR103 (channel B) to the center position. (Fig. 2-4-1)

Check that the DC voltage of Vb between pin1 and pin 2 of CN103 (for channel A) or CN102 (for channel B) is less than 0.2 mV.

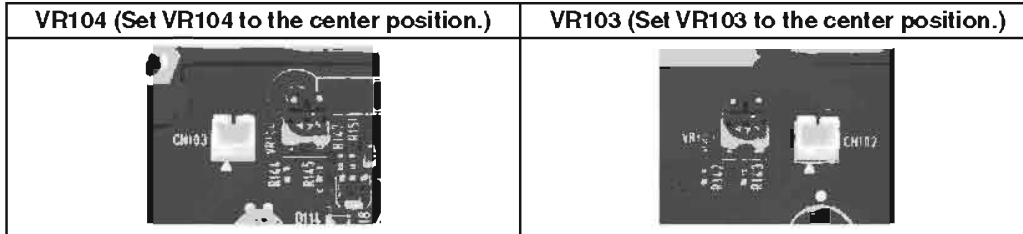


Fig. 2-4-1

2-5 Max Power Adjustment

Input the 1 kHz, 2.8 V sine wave to channel A or channel B.

Adjust VR102 (for channel A) or VR101 (for channel B) so that the output voltage of channel A or channel B is within the range specified in the table 2-5-1.

Table 2-5-1

| Output Voltage |
|--------------------|
| 46.5 V \pm 0.5 V |

Note:

- Finish this inspection within 30 seconds.

2-6 DC Voltage of Output Terminals

Connect the input of channel A or channel B to the GND and measure the DC voltage of output terminals. Then check that it is 0 ± 75 mV.

2-7 Gain

Input the 1 kHz, -10.0 dBu sine wave to channel A or channel B and check that the obtained output voltage of channel A or channel B is within the range specified in the table 2-7-1.

Table 2-7-1

| Output Voltage |
|---------------------|
| +15.3 +0.5/-1.0 dBu |

2-8 Distortion Factor

Input the 20 kHz, 20 Hz, +7.0 dBu sine wave to channel A or channel B and check that the distortion of output is less than 0.8 %.

Note:

- **Finish this inspection within 30 seconds.**

2-9 DC Protection

Input the 1 kHz, +2.0 dBu sine wave to channel A or channel B and check that the obtained voltage of Test Point DC (voltage between pin 11 and pin 2 of CN101) is within the range specified in the table 2-9-1.

Table 2-9-1

| Voltage of Test Point DC (Voltage between pin 11 and pin 2 of CN101) * |
|---|
| 8.6 ±2.0 dBu |

* Measure the AC voltage.

■ PAユニット検査

1. 測定条件

1-1 環境

- ・ 常温：5～40℃
- ・ 常湿：30～90%

1-2 電源電圧

PSシートを経由して、PAユニットに電源を供給してください。

| +BH電圧 | +BL電圧 | -BL電圧 | -BH電圧 |
|-------|-------|-------|-------|
| 96 V | 48 V | -48 V | -96 V |

1-3 測定器

検査に使用する測定器は、文中に記載の規格を十分精度良く測定できる精度及び確度を持つものを使用してください。

1-4 測定器の入力インピーダンス

測定器の入力インピーダンスは1MΩ以上のものを使用してください。

2. 検査

2-1 準備

- ・ 負荷抵抗：4Ω±1%
- ・ 電源電圧印加前に可変抵抗VR101～VR104は反時計方向に絞りきっておきます。
- ・ 特に指定のない場合は片チャンネル駆動とします。
- ・ 特に指定のない場合は入力信号は高品位正弦波とします。
- ・ 測定回路の接続については図3-1を参照してください(83ページ)。

2-2 入出力

- ・ チャンネルA入力 : CN101 4ピン-GND(CN101 5ピン)間の電圧
- ・ チャンネルB入力 : CN101 8ピン-GND(CN101 9ピン)間の電圧
- ・ チャンネルA出力 : W102-GND(W103)間の電圧
- ・ チャンネルB出力 : W101-GND(W103)間の電圧

2-3 検査および調整

検査および調整に使用する部品は下記に示すとおりです。(図2-3-1)

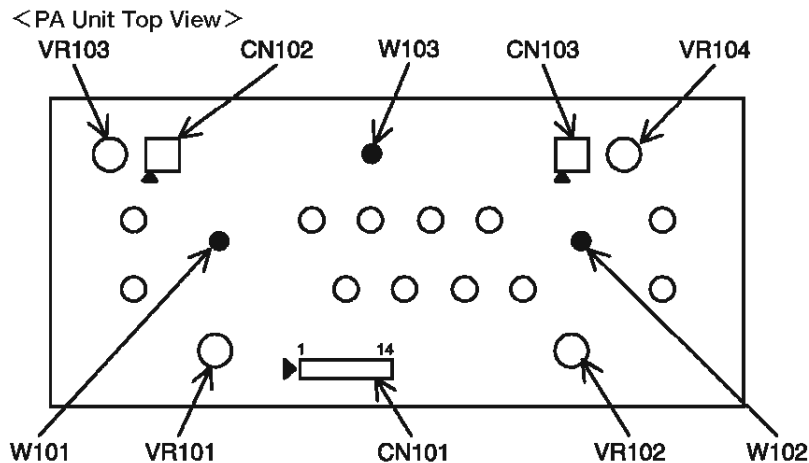


図 2-3-1

2-4 アイドリング電流

チャンネルA入力端子とチャンネルB入力端子を接地します。

VR104(チャンネルA)とVR103(チャンネルB)を中央に設定します。(図 2-4-1)

CN103(チャンネルA)およびCN102(チャンネルB)の1-2番端子間の直流電圧Vbが0.2 mV以下であることを確認します。

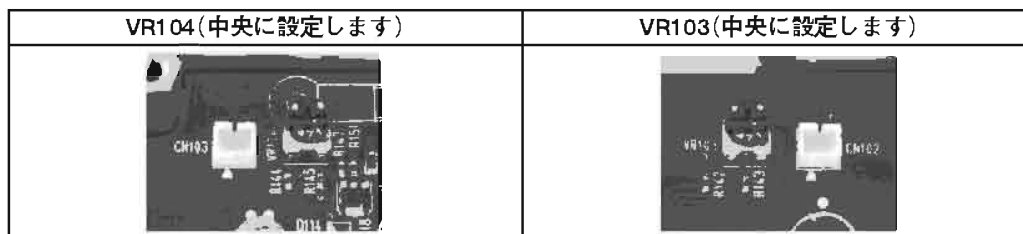


図 2-4-1

2-5 最大出力調整

チャンネルA入力端子またはチャンネルB入力端子に1 kHz、2.8 Vの正弦波を入力します。

チャンネルA出力電圧またはチャンネルB出力電圧が表 2-5-1の範囲内の出力電圧となるようにVR102(Aチャンネル)またはVR101(Bチャンネル)を調整してください。

表 2-5-1

| 出力電圧 |
|--------------------|
| 46.5 V \pm 0.5 V |

注意：

- ・ この検査は、30秒以内に終了してください。

2-6 出力端子の直流電圧

チャンネルA入力端子またはチャンネルB入力端子を接地して、出力端子の直流電圧Vdcを測定し、0 \pm 75 mVであることを確認してください。

2-7 利得

チャンネルA入力端子またはチャンネルB入力端子に1 kHz、-10.0 dBuの正弦波を入力したとき、チャンネルAまたはチャンネルBで表 2-7-1の範囲内の出力電圧を得ることを確認してください。

表 2-7-1

| 出力電圧 |
|---------------------|
| +15.3 +0.5/-1.0 dBu |

2-8 歪み

チャンネルA入力端子またはチャンネルB入力端子に20 kHz、20 Hz、+7.0 dBuの正弦波を入力したとき、出力電圧の歪率は0.8%以下であることを確認してください。

注意：

- ・ この検査は、30秒以内に終了してください。

2-9 DCプロテクション

チャンネルA入力端子またはチャンネルB入力端子に1 kHz、+2.0 dBuの正弦波を入力したとき、Test Point DC (CN101 11ピン-2ピン)で表 2-9-1の範囲内の出力電圧を得ることを確認してください。

表 2-9-1

| Test Point DC出力電圧 (CN101 11ピン-2ピン間の電圧)* |
|--|
| 8.6±2.0 dBu |

* AC電圧測定。

3. Measuring Circuit (測定回路)

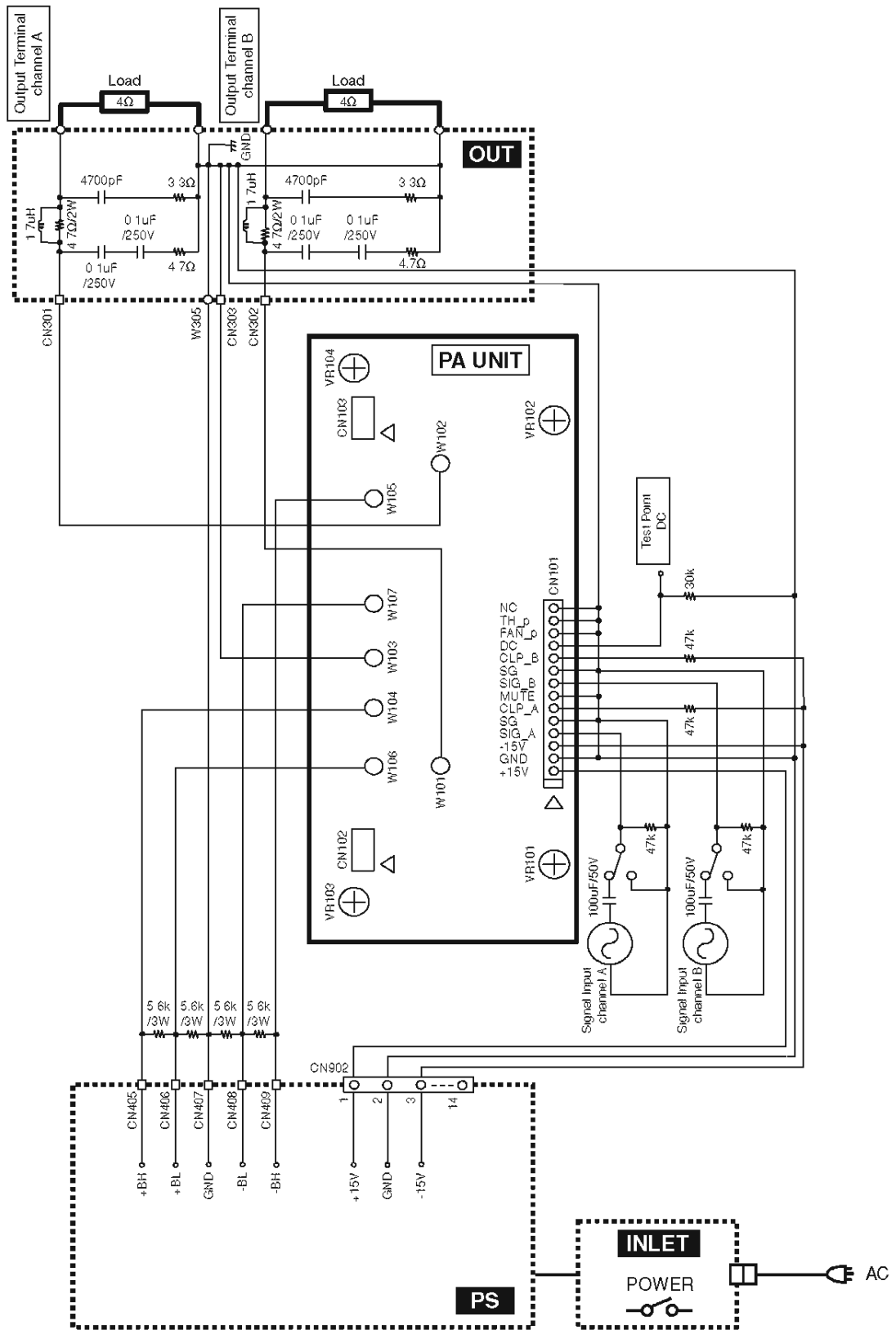


Fig. 3-1 (図 3-1)

- * Use the load resistor with tolerance within the range of $\pm 5\%$.
- * 本測定回路で使用する抵抗の許容誤差範囲は $\pm 5\%$ 以下のものを使用してください。

■ PS CIRCUIT BOARD REPAIR GUIDE

1. Applicable Circuit Board

This guide is applicable when repairing the circuit board specified in the table 1-1.

Table 1-1

| Circuit Board | Part No. | Destination | Power Supply |
|---------------|----------|-------------|--------------|
| PS | WG970500 | U | AC 120 V |
| PS | WG970600 | H, B, O, K | AC 230 V |
| PS | WG970700 | A | AC 240 V |

2. Electrical Performance

2-1 Preparation

- Connect the INLET circuit board (WG970200 for U, A destination or WG970300 for H, B, O, K destination) to CN402 and CN410.
- Adjust the power supply voltage suites each circuit boards. Refer to the table 1-1 above.
- Connect the power cable to the AC inlet of the INLET circuit board.

2-2 Voltages of Each Part

The output voltage is normal if it is within the range specified in the table 2-1 when turning the power on.

Table 2-1

| Measuring Item | Measuring Part | Output Voltage (DC) | | Load Resistance |
|----------------|----------------|---------------------|-------------|-----------------|
| | | U, A | H, B, O, K | |
| +BH | CN405-CN407 | +94.3±3 V | +90.3±3 V | 5 kΩ, 3 W |
| +BL | CN406-CN407 | +48.6±3 V | +46.7±3 V | 5 kΩ, 3 W |
| -BL | CN408-CN407 | -48.6±3 V | -46.7±3 V | 5 kΩ, 3 W |
| -BH | CN409-CN407 | -94.3±3 V | -90.3±3 V | 5 kΩ, 3 W |
| +15 V | CN902 1-2 pin | +15.0±0.6 V | +15.0±0.6 V | 10 kΩ, 1/4 W |
| -15 V | CN902 3-2 pin | -15.0±0.6 V | -15.0±0.6 V | 10 kΩ, 1/4 W |

Note: The output voltage may be out of the range if it is measured without the load resistance or the power supply voltage differs from the specified in the table 1-1.

2-3 Discharge

To prevent the electrical shock (discharge of the electric charge from the capacitor), discharge electricity between the following part when handling the PS circuit board.

- Between the positive (+) and negative (-) terminals of C409 and C410. If you have left the unit for 10 minutes or more after turning the power off, you do not have to discharge.
- Between CN405 and CN409.
- Between CN406 and CN408.

3. Example of Repair

All DC voltage is not output from secondary side.

3-1 Instruction

Follow the instruction below. (See section 3-2 and diagram 3-3 on page 104.)

- ① Check the resistor value of R418 and R424 (6.8 Ω , 5 W).
If opened, replace R418 and R424.
- ② Check the resistance between C-E of Q406 and Q407.
If short-circuited or smaller resistance (few ohms) replace Q406 and Q407, and also replace IC402 because it is broken.
- ③ Check the resistor value of R419 and R421 is 33 Ω .
If opened or the resistor value increases, replace R419 and R421.
If short-circuited or the resistor value is extremely small, replace D404 and D405. After replacing D404 and D405, check the resistor value again.
- ④ Check the resistor value of R429, R430, R453 and R454.
If opened or the resistor value increases, replace R429, R430, R453 and R454.
- ⑤ Check the resistor value of F401.
If opened, replace F401.
- ⑥ Check the resistor value between following pins of IC402 with the analog multi tester. When checking, put negative (-) side of the analog multi tester to pin 4.

| | Pin | * Resistor Value | Remedy |
|---|-------------------|------------------------|---|
| 1 | Pin 4-5 (GND-LVG) | approx. 10 k Ω | Replace IC402. |
| 2 | Pin 4-3 (GND-Vcc) | approx. 6.0 k Ω | Replace IC403. If the problem is not resolved, replace IC401. |
| 3 | Pin 4-2 (GND-HIN) | approx. 500 M Ω | Replace IC402. If the problem is not resolved, replace IC401. |
| 4 | Pin 4-1 (GND-LIN) | approx. 500 M Ω | Replace IC402. If the problem is not resolved, replace IC401. |

* The resistor value is the standard value. Replace IC402 if the resistor value is extremely different from the standard.

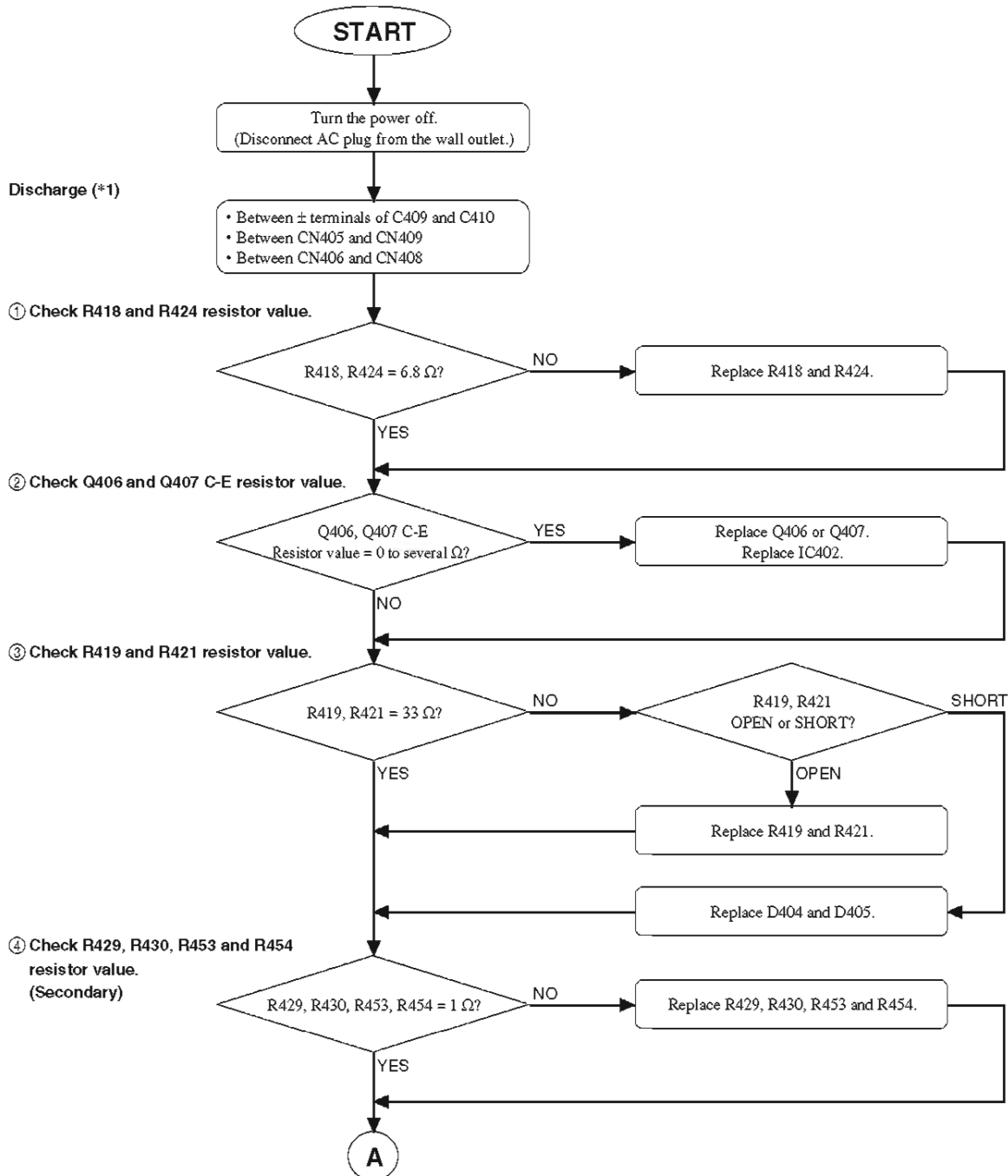
If the resistor value is out of the range, counter with the problem in the way specified in the "Remedy" section of the table above and check the resistor value again.

- ⑦ Check the AC input voltage is appropriate for the destination.
- ⑧ After checking items ① to ⑦, put the AC power and check the waveform between pin 4 (GND) and pin 5 (LVG) of IC402 with oscilloscope. Check the measured waveform is the square wave (0-15 V) around 70 kHz.
If the measured waveform is abnormal, check the output of IC403 (3-pin regulator) is +15 V.
If the output is less than +15 V, replace IC402 and check the waveform again. If IC402 is already replaced, replace IC401.
For the normal waveform, see the figure on page 90.
- ⑨ Check the "2. Electrical Performance" is satisfied. If satisfied, repair is finished.

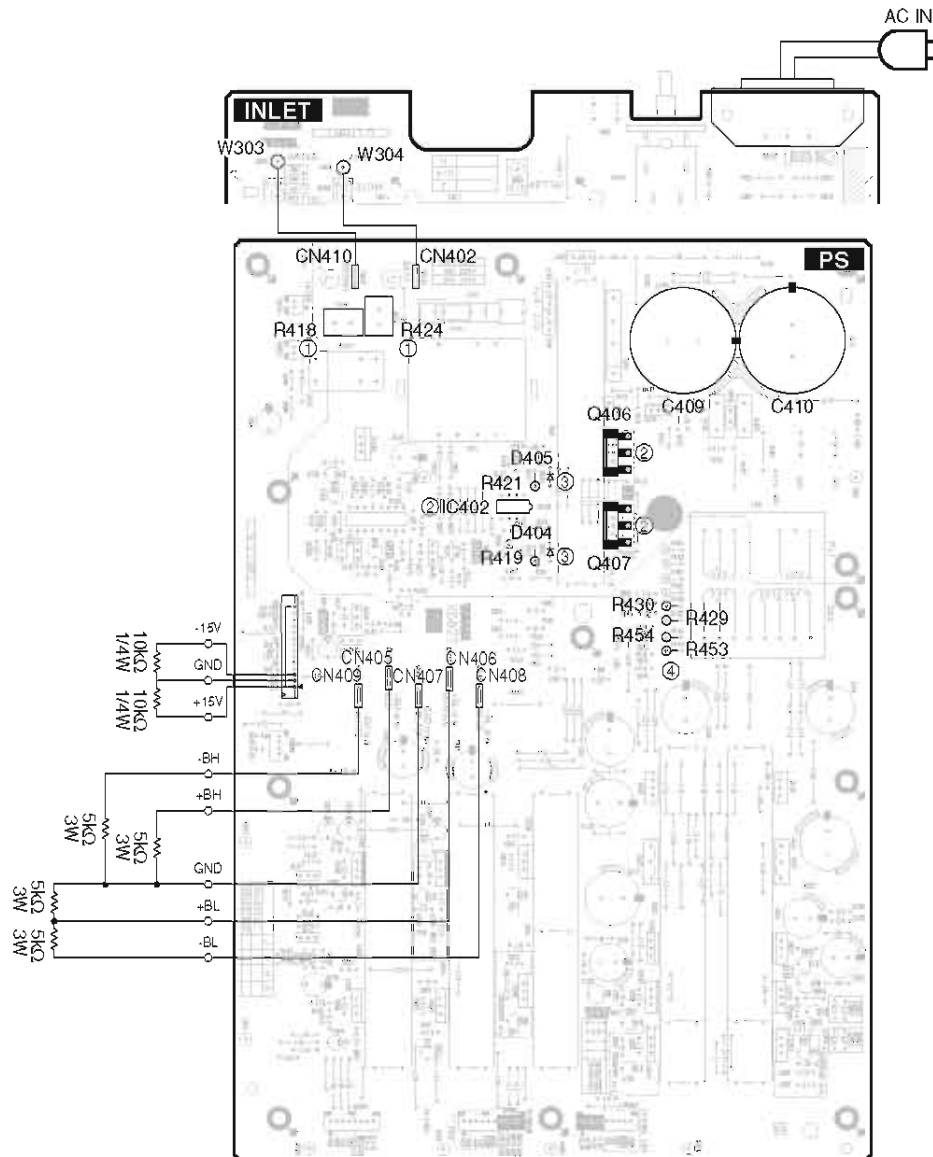
3-2 Repair Flowchart

Check the primary side circuit.

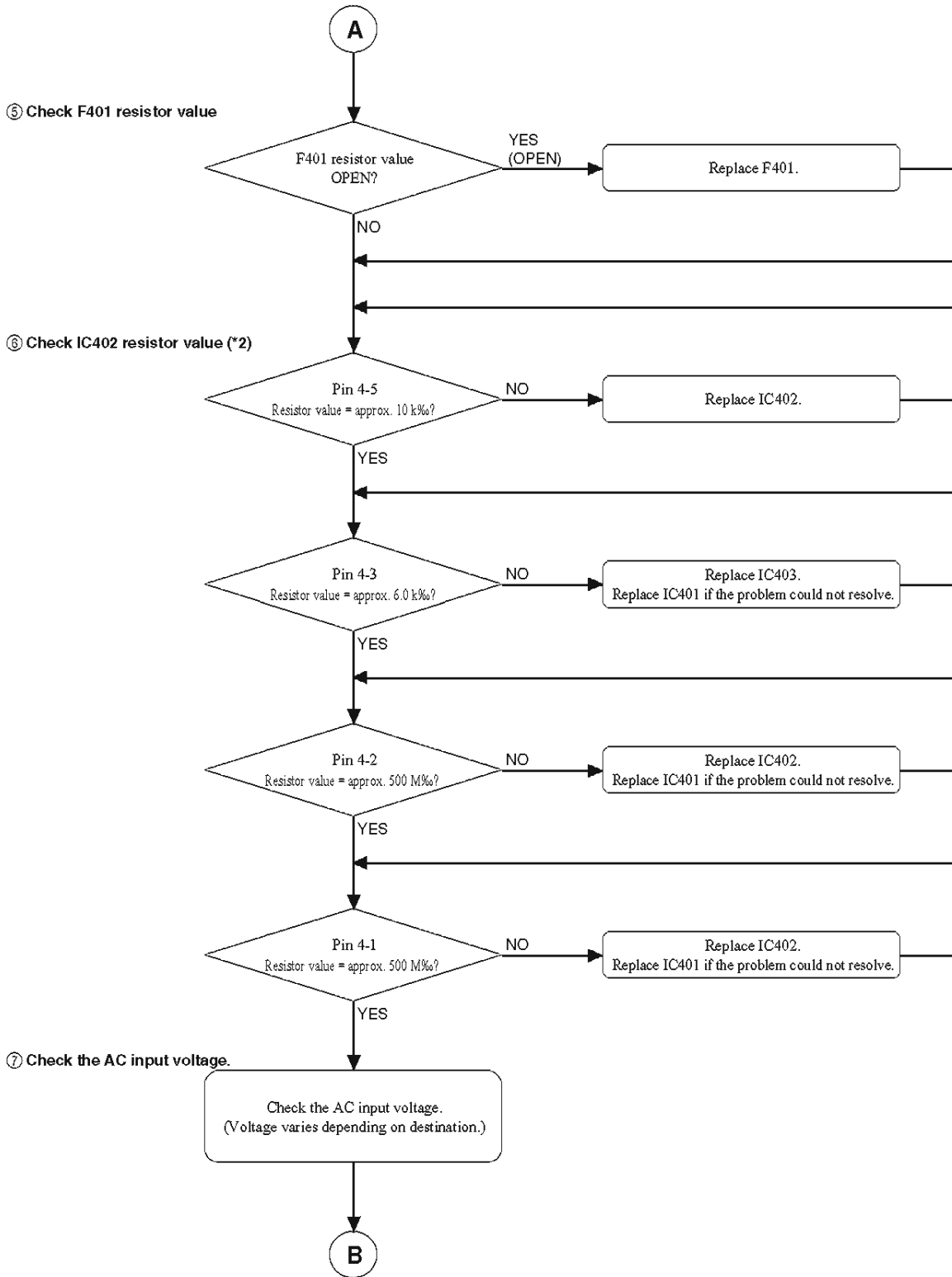
Note: Check and repair must be done carefully, otherwise the electrical shock may be caused.



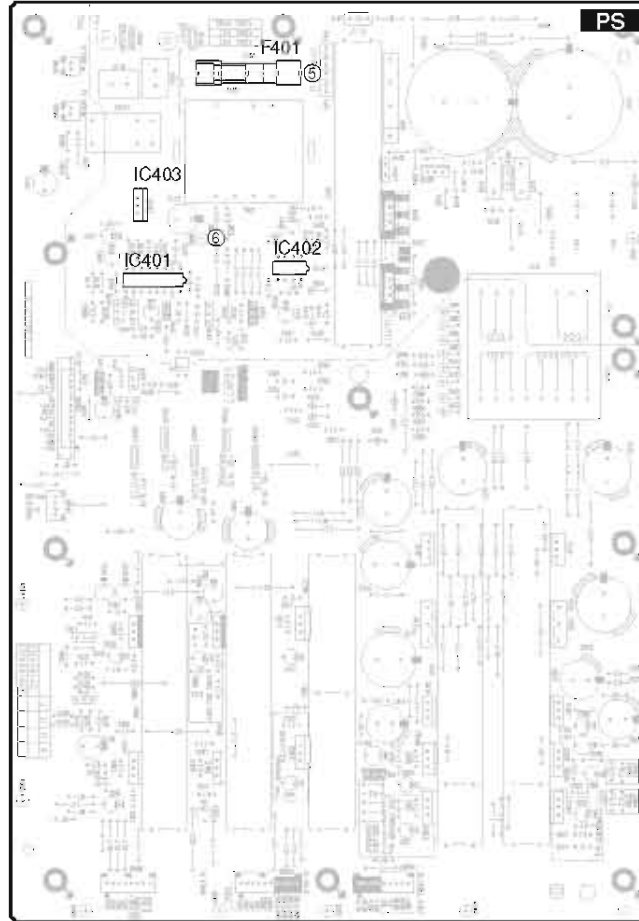
- *1) To prevent the electrical shock, be sure to discharge electricity from the capacitor.
Discharge is not necessary if you have left the unit for 10 minutes or more after turning the power off.



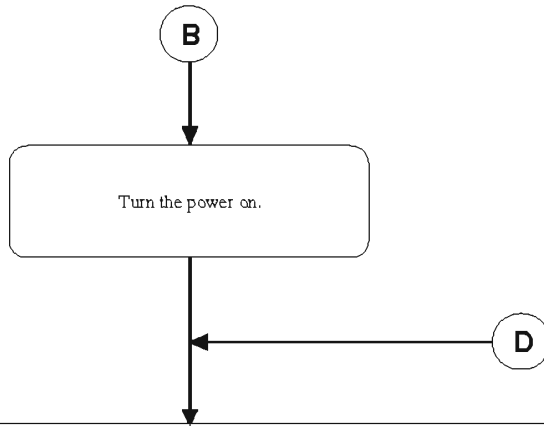
| REF NO. | PART NO. | DESCRIPTION | | 部 品 名 | REMARKS |
|---------|----------|-------------|-------------------------|-------------------|---------------------|
| ① | R418 | VN067400 | Wire Wound Resistor | 6.8 5W K | セメント抵抗 |
| | R424 | VN067400 | Wire Wound Resistor | 6.8 5W K | セメント抵抗 |
| ② | IC402 | X5908A00 | IC | L6385 | I C |
| | Q406 | V8234000 | IGBT | TOR 1MBK50D 600V | I G B T J |
| | Q406 | WD886600 | IGBT | IRGB15B60KDPPF | I G B T U,H,B,O,A,K |
| | Q407 | V8234000 | IGBT | TOR 1MBK50D 600V | I G B T J |
| | Q407 | WD886600 | IGBT | IRGB15B60KDPPF | I G B T U,H,B,O,A,K |
| ③ | D404 | VD631600 | Diode | 1SS133,176,HSS104 | ダイオード |
| | D405 | VD631600 | Diode | 1SS133,176,HSS104 | ダイオード |
| | R419 | HV754330 | Flame Proof C. Resistor | 33 1/4W J | 不燃化カーボン抵抗 |
| | R421 | HV754330 | Flame Proof C. Resistor | 33 1/4W J | 不燃化カーボン抵抗 |
| ④ | R429 | HV753100 | Flame Proof C. Resistor | 1.0 1/4W J | 不燃化カーボン抵抗 |
| | R430 | HV753100 | Flame Proof C. Resistor | 1.0 1/4W J | 不燃化カーボン抵抗 |
| | R453 | HV753100 | Flame Proof C. Resistor | 1.0 1/4W J | 不燃化カーボン抵抗 |
| | R454 | HV753100 | Flame Proof C. Resistor | 1.0 1/4W J | 不燃化カーボン抵抗 |



*2) The resistor value is the standard value. Replace IC402 if the resistor value is extremely different from the standard.



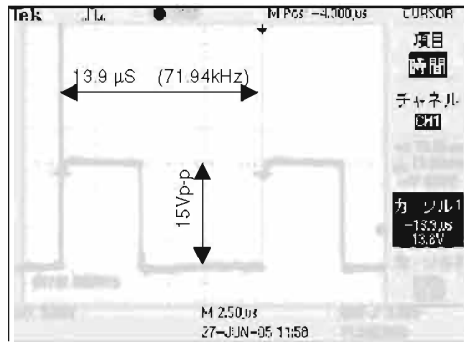
| | REF NO. | PART NO. | DESCRIPTION | | 部 品 名 | REMARKS |
|---|---------|----------|-------------|--------------|---------|-----------|
| ⑤ | F401 | V8932100 | Fuse | 20A 250V JU | ヒ ユ ー ズ | J |
| | F401 | KB001380 | Fuse | 15A 250V JUC | ヒ ユ ー ズ | U |
| | F401 | V5742500 | Fuse | TH 8A 250V | ヒ ユ ー ズ | H,B,O,A,K |
| ⑥ | IC401 | X2383A00 | IC | SG3525AN | I | C |
| | IC402 | X5908A00 | IC | L6385 | I | C |
| | IC403 | XJ603A00 | IC | NJM78M15FA | I | C |



⑨ Check the waveform.

Note: Do not short-circuit the oscilloscope chassis with the chassis of this unit when checking the waveform.

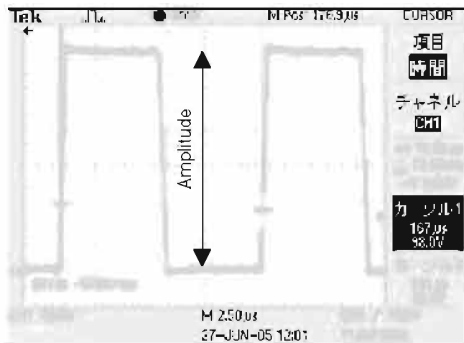
■ Check the waveform between pin 4-5 (GND-LVG) of IC402



Check the rectangular wave.
 • Period: approx. 14 μ S (approx. 70kHz)
 • Amplitude: approx. 15 Vp-p

(Probe GND: IC402 Pin 4)

■ Check the waveform between emitter and collector of Q407 (IGBT)

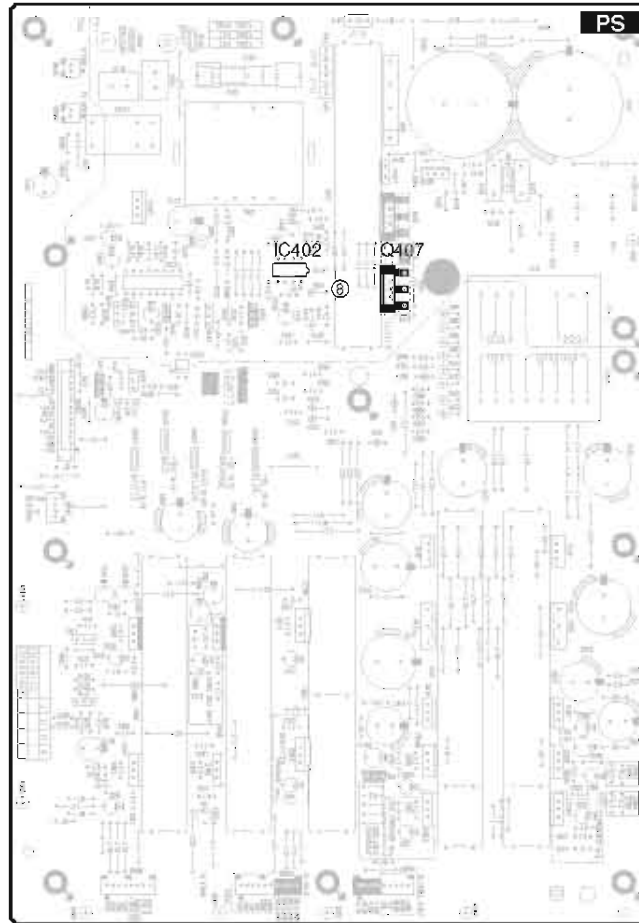


Check the rectangular wave.
 • Period: approx. 14 μ S (approx. 70kHz)
 • Amplitude: approx. 338 Vp-p (U/V)
 approx. 320 Vp-p (H/B/W/K/O)
 approx. 338 Vp-p (A)

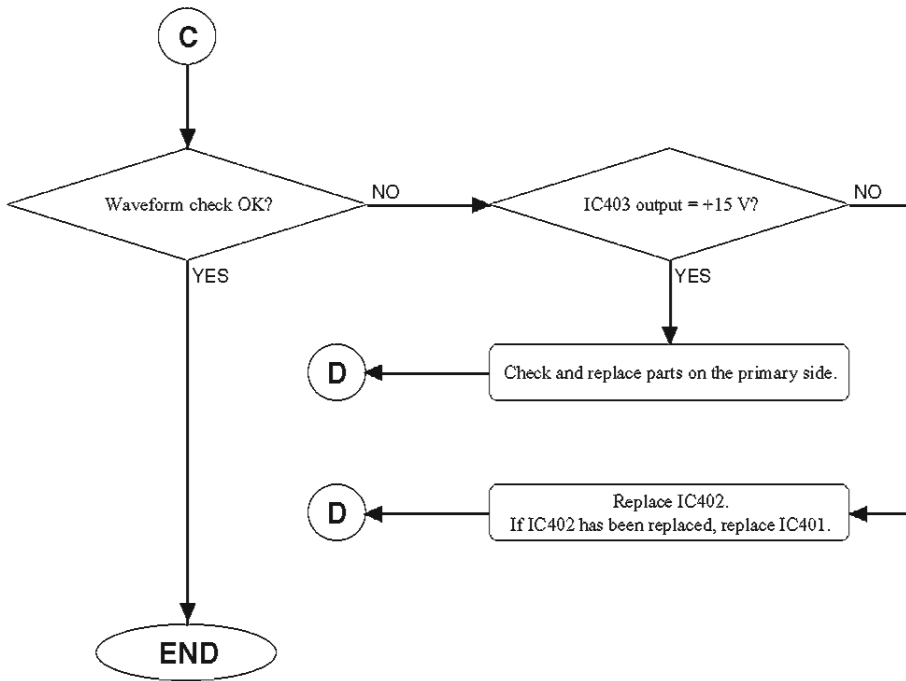
Amplitude may vary depending on the primary side.

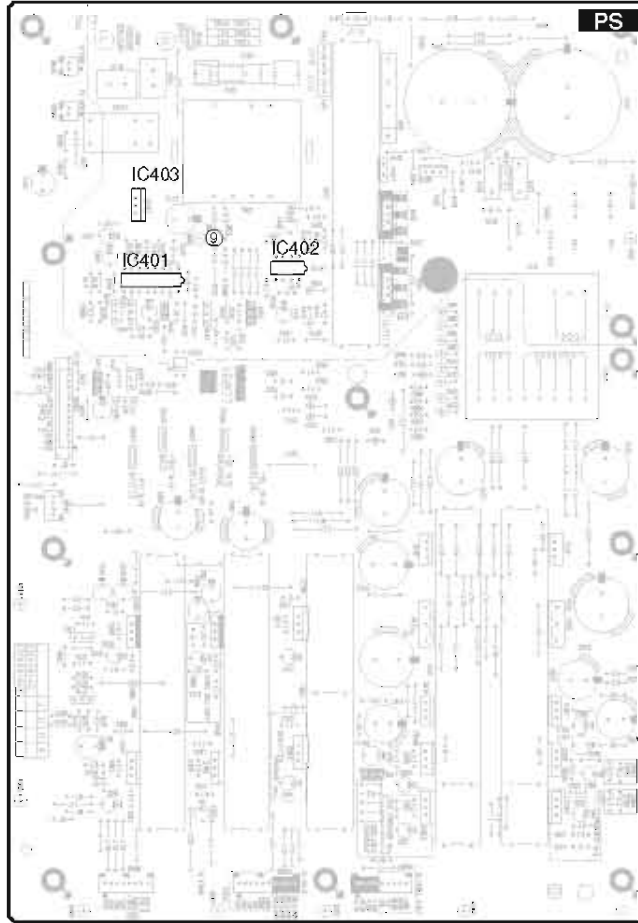
(Probe GND: Q407 emitter)





| REF NO. | PART NO. | DESCRIPTION | | 部 品 名 | | | | REMARKS | |
|---------|----------|-------------|------|------------------|---|---|---|---------|-------------|
| ③ | IC402 | X5908A00 | IC | L6385 | I | | C | | |
| | Q407 | V8234000 | IGBT | TOR 1MBK50D 600V | I | G | B | T | J |
| | Q407 | WD886600 | IGBT | IRGB15B60KDPBF | I | G | B | T | U,H,B,O,A,K |





| REF NO. | PART NO. | DESCRIPTION | | 部 | 品 | 名 | REMARKS |
|---------|----------|-------------|----|------------|---|---|---------|
| ③ | IC401 | X2383A00 | IC | SG3525AN | I | C | |
| | IC402 | X5908A00 | IC | L6385 | I | C | |
| | IC403 | XJ603A00 | IC | NJM78M15FA | I | C | |

■ PSシート故障修理ガイド

1. 適用シート

このガイドは表1-1に示されたシートの修理時に適用されます。

表1-1

| シート名 | 部品番号 | 仕向 | 電源電圧 |
|------|----------|----|----------|
| PS | WG970400 | J | AC 100 V |

2. 正常動作時電氣的性能

2-1 準備

- ・ INLET シート (WG970100) を CN402、CN410 に接続します。
- ・ 電源電圧を各シートに合った電源電圧に調整します。表1-1を参照してください。
- ・ 電源コードをINLETシートのACインレットに差し込みます。

2-2 各部電圧

POWERスイッチをONにしたとき、各部出力電圧は表2-1の範囲に入っていれば正常です。

表2-1

| 測定部 | 測定場所 | 出力電圧(DC) | 負荷抵抗 |
|-------|---------------|-------------|-------------|
| +BH | CN405-CN407 | +103.7±3 V | 5 kΩ、3 W |
| +BL | CN406-CN407 | +48.8±3 V | 5 kΩ、3 W |
| -BL | CN408-CN407 | -48.8±3 V | 5 kΩ、3 W |
| -BH | CN409-CN407 | -103.7±3 V | 5 kΩ、3 W |
| +15 V | CN902 1-2 pin | +15.0±0.6 V | 10 kΩ、1/4 W |
| -15 V | CN902 3-2 pin | -15.0±0.6 V | 10 kΩ、1/4 W |

注：負荷抵抗なしで出力電圧を測定した場合や表1-1に示された電源電圧が変動している場合は、表2-1の出力電圧にならない場合があります。

2-3 放電

PSシート単体で取り扱う場合には、感電防止(コンデンサの電荷を放電)のため、下記端子を抵抗で放電します。

- ・ C409 およびC410 の±端子間。POWER スイッチをOFFしたあと、10分以上放置すれば放電の必要はありません。
- ・ CN405-CN409間。
- ・ CN406-CN408間。

3. 故障箇所の修理具体例

2次側出力電圧が、すべて出力されない。

3-1 確認・修理手順

下記手順に従ってください。(3-2項および104ページの回路図3-3を参照してください。)

- ① R418およびR424(6.8 Ω、5 W)の抵抗値を確認します。
オープンしている場合は、交換してください。
- ② Q406およびQ407のC-E間の抵抗値を確認します。
ショートまたは抵抗値が低下(数 Ω程度)している場合は、Q406およびQ407を交換してください。この場合、IC402が破損していますので交換してください。
- ③ R419およびR421の抵抗値が33 Ωであることを確認します。
オープンまたは抵抗値が増大している場合は、交換してください。
ショートまたは抵抗値が極端に小さい場合は、D404およびD405を交換してください。D404、D405交換後、抵抗値を再確認してください。
- ④ R429、R430、R453およびR454の抵抗値を確認します。
オープンまたは抵抗値が増大している場合は、その部品を交換してください。
- ⑤ F401の抵抗値を確認します。
オープンしている場合は、交換してください。
- ⑥ IC402の下記ピン間の抵抗値をテスターで確認します。テスターの一侧を4ピンにあててください。

| | ピン | *抵抗値 | 抵抗値が外れていた場合の対処法 |
|---|-------------------|----------|--|
| 1 | Pin 4-5 (GND-LVG) | 約 10 kΩ | IC402を交換します。 |
| 2 | Pin 4-3 (GND-Vcc) | 約 6.0 kΩ | IC403を交換します。IC403を交換しても外れる場合は、IC401を交換します。 |
| 3 | Pin 4-2 (GND-HIN) | 約 500 MΩ | IC402を交換します。IC402を交換しても外れる場合は、IC401を交換します。 |
| 4 | Pin 4-1 (GND-LIN) | 約 500 MΩ | IC402を交換します。IC402を交換しても外れる場合は、IC401を交換します。 |

* 抵抗値は目安です。極端に目安から外れる場合はIC402を交換してください。

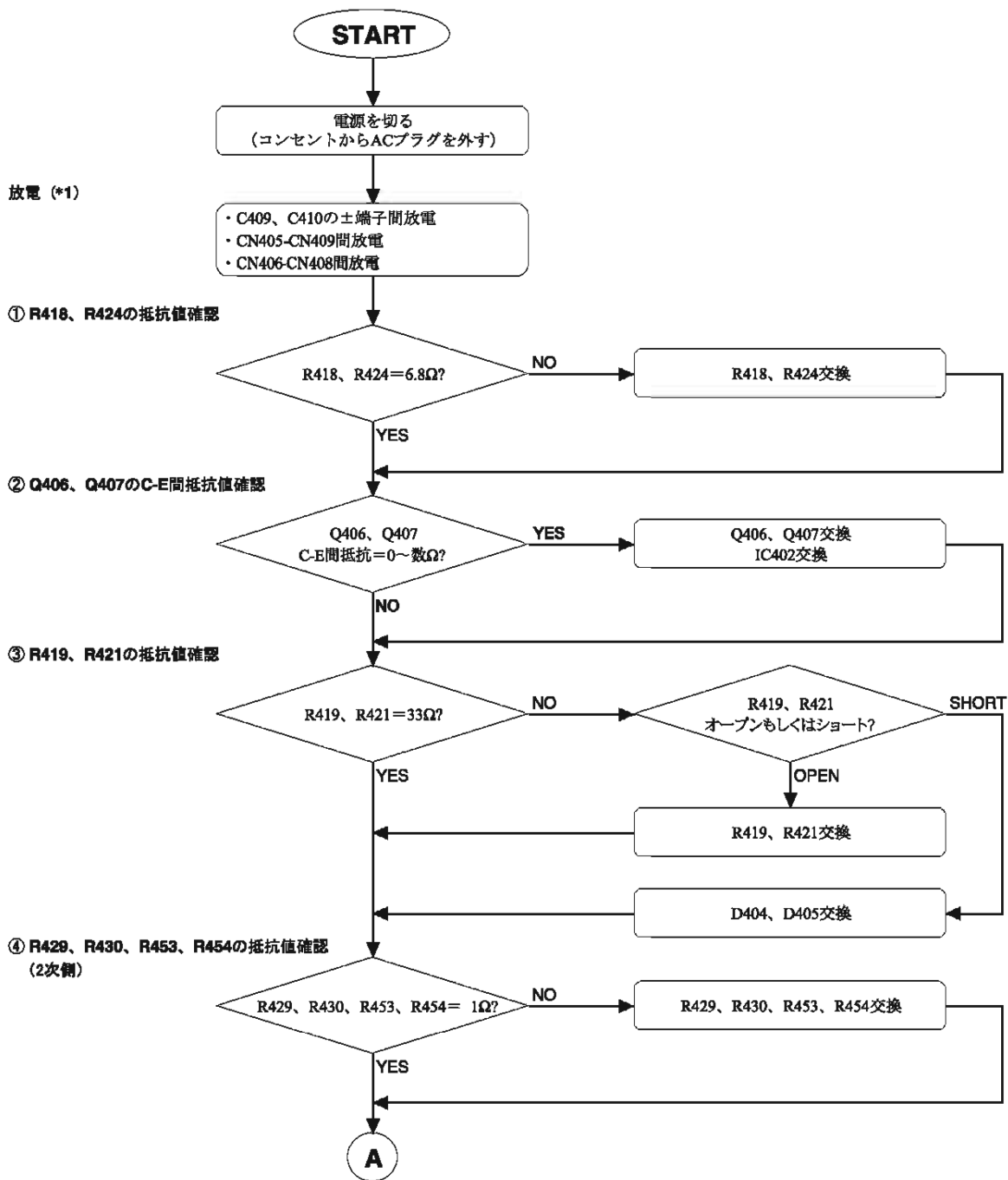
抵抗値が外れていた場合は、上記対処をしたあと、抵抗値を再確認してください。

- ⑦ 入力AC電源が100 Vであることを確認します。
- ⑧ ①から⑦終了後、AC電源を入れ、IC402の4番ピン(GND)と5番ピン(LVG)間の波形をオシロスコープで測定します。約70 kHzの矩形波(0-15 V)であれば正常です。
波形が異常な場合は、IC403(3端子レギュレータ)の出力が+15 Vであることを確認します。
出力が+15 V以下の場合は、IC402を交換して波形を再測定します。IC402をすでに交換している場合は、IC401を交換してください。
正常な波形については、100ページを参照してください。
- ⑨ 「2. 正常動作時電氣的性能」を確認し、問題なければ修理完了です。

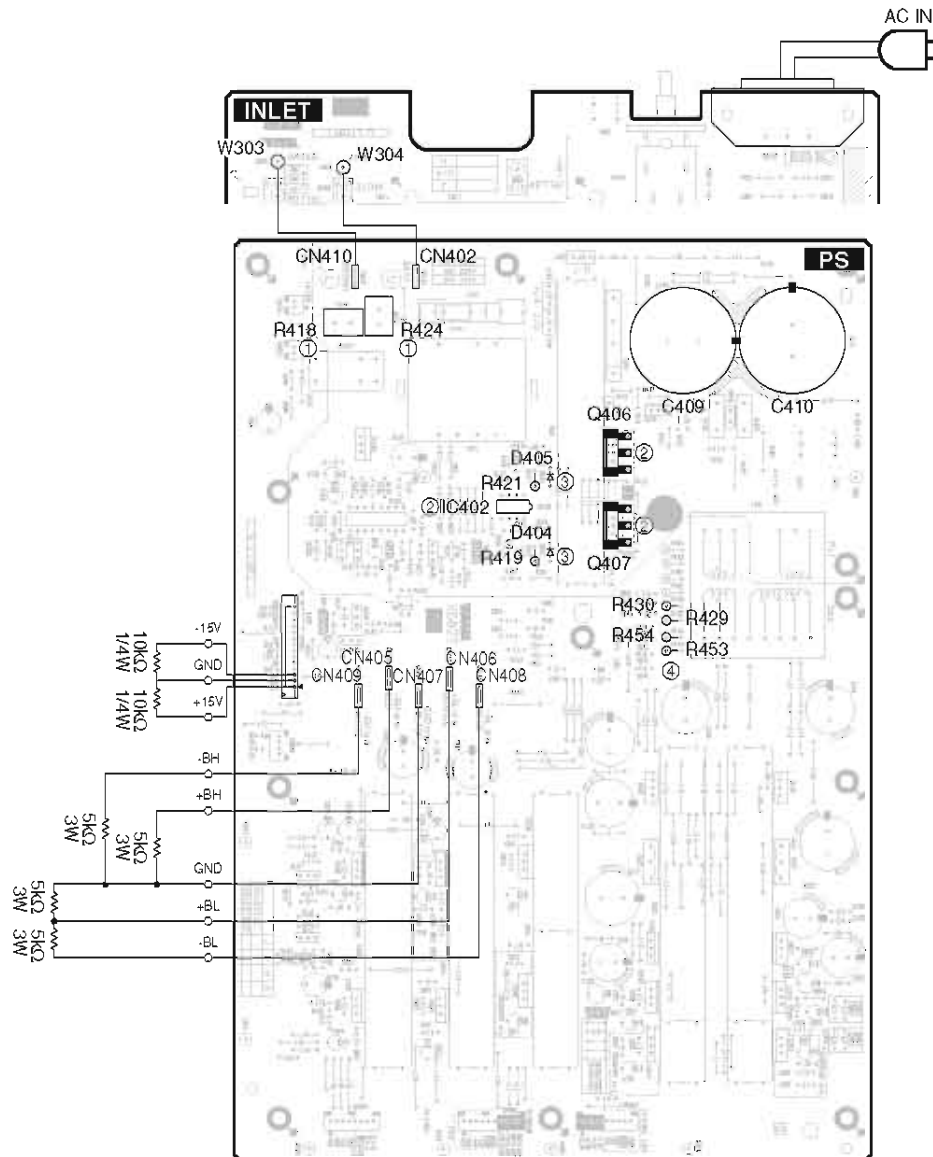
3-2 修理フローチャート

1次側回路を確認します。

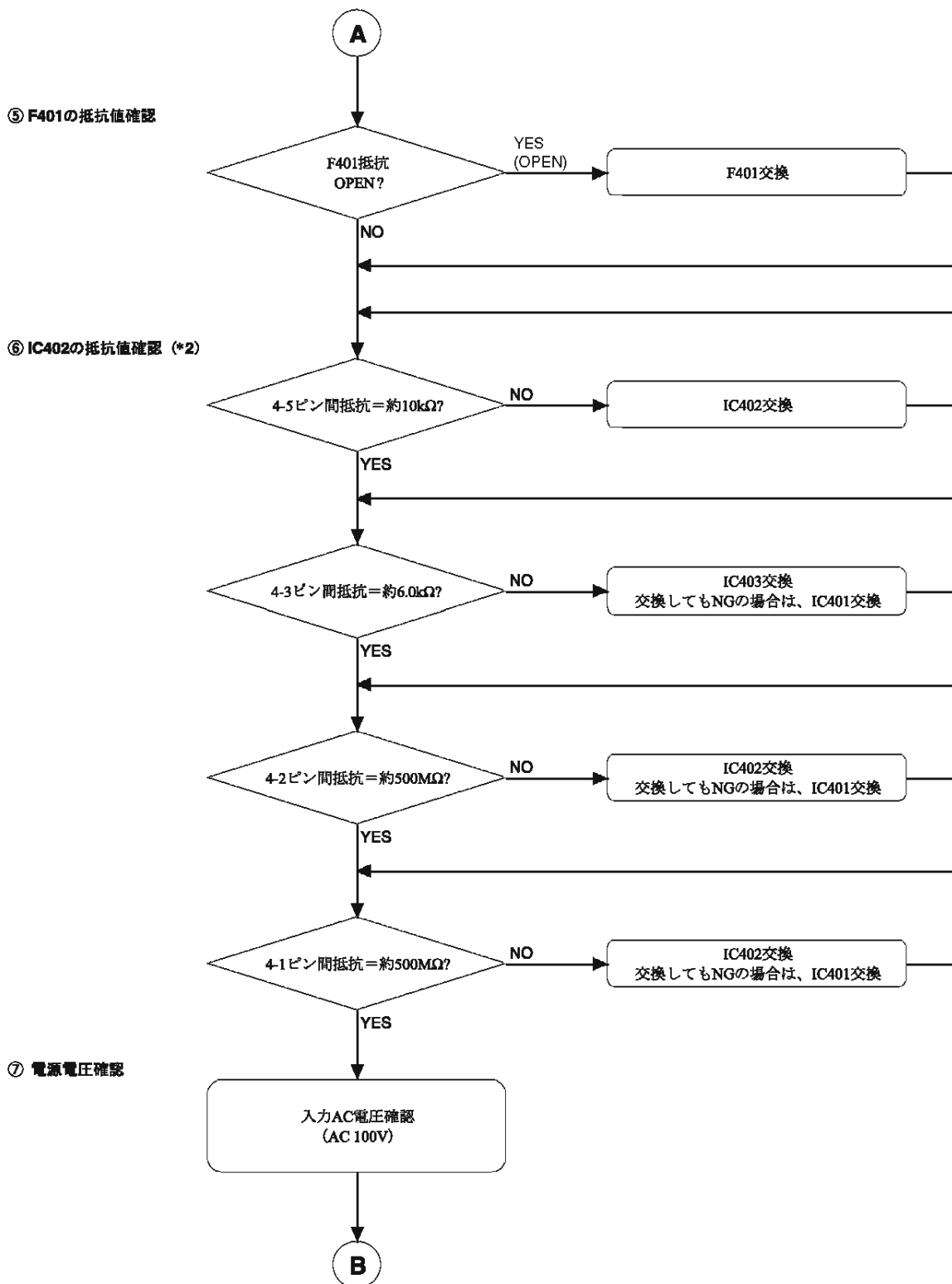
注意：感電するおそれがありますので、注意して作業してください。



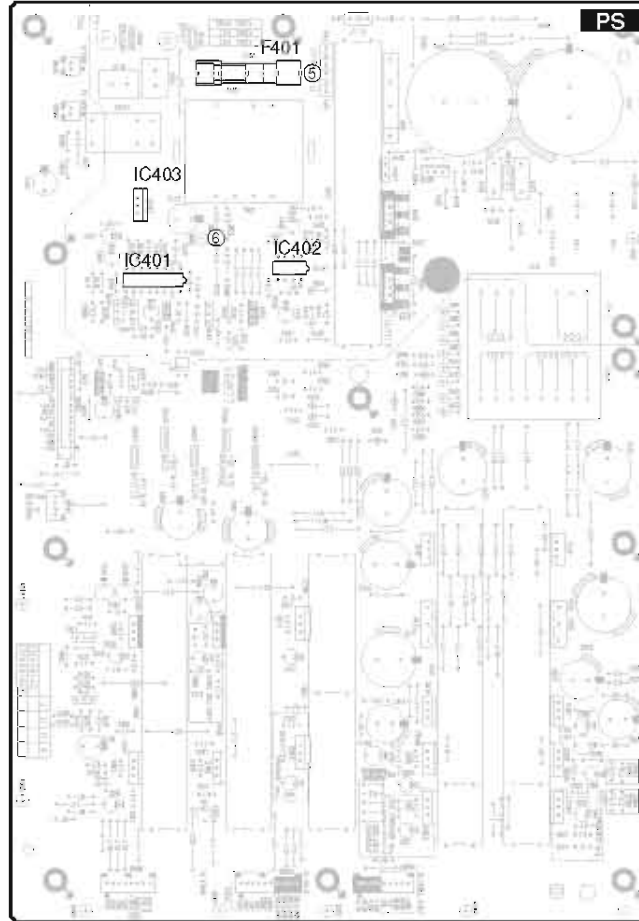
*1) 感電防止のため、必ずコンデンサの電荷放電を行ってください。
POWERスイッチをOFFしたあと、10分以上経過していれば強制放電の必要はありません。



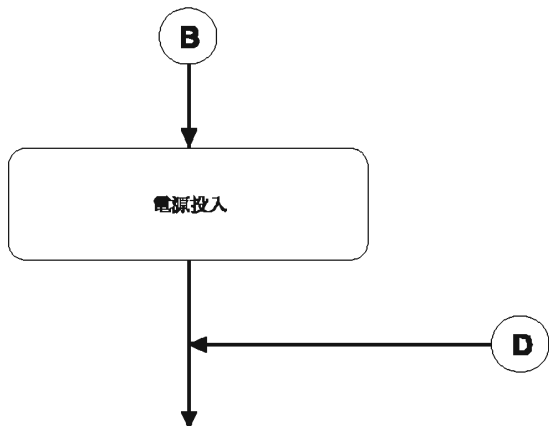
| REF NO. | PART NO. | DESCRIPTION | | 部 品 名 | REMARKS |
|---------|----------|-------------|-------------------------|-------------------|---------------------|
| ① | R418 | VN067400 | Wire Wound Resistor | 6.8 5W K | セメント抵抗 |
| | R424 | VN067400 | Wire Wound Resistor | 6.8 5W K | セメント抵抗 |
| ② | IC402 | X5908A00 | IC | L6385 | I C |
| | Q406 | V8234000 | IGBT | TOR 1MBK50D 600V | I G B T J |
| | Q406 | WD886600 | IGBT | IRGB15B60KDPPBF | I G B T U,H,B,O,A,K |
| | Q407 | V8234000 | IGBT | TOR 1MBK50D 600V | I G B T J |
| ③ | Q407 | WD886600 | IGBT | IRGB15B60KDPPBF | I G B T U,H,B,O,A,K |
| | D404 | VD631600 | Diode | 1SS133,176,HSS104 | ダイオード |
| | D405 | VD631600 | Diode | 1SS133,176,HSS104 | ダイオード |
| | R419 | HV754330 | Flame Proof C. Resistor | 33 1/4W J | 不燃化カーボン抵抗 |
| ④ | R421 | HV754330 | Flame Proof C. Resistor | 33 1/4W J | 不燃化カーボン抵抗 |
| | R429 | HV753100 | Flame Proof C. Resistor | 1.0 1/4W J | 不燃化カーボン抵抗 |
| | R430 | HV753100 | Flame Proof C. Resistor | 1.0 1/4W J | 不燃化カーボン抵抗 |
| | R453 | HV753100 | Flame Proof C. Resistor | 1.0 1/4W J | 不燃化カーボン抵抗 |
| | R454 | HV753100 | Flame Proof C. Resistor | 1.0 1/4W J | 不燃化カーボン抵抗 |



*2) IC402の抵抗値は目安です。測定値が極端に目安から外れている場合は交換してください。



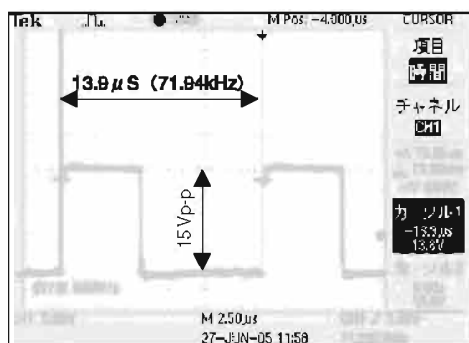
| REF NO. | PART NO. | DESCRIPTION | | 部 品 名 | REMARKS |
|---------|----------|-------------|------|--------------|-----------|
| ⑤ | F401 | V8932100 | Fuse | 20A 250V JU | J |
| | F401 | KB001380 | Fuse | 15A 250V JUC | U |
| | F401 | V5742500 | Fuse | TH 8A 250V | H,B,O,A,K |
| ⑥ | IC401 | X2383A00 | IC | SG3525AN | C |
| | IC402 | X5908A00 | IC | L6385 | C |
| | IC403 | XJ603A00 | IC | NJM78M15FA | C |



① 波形確認

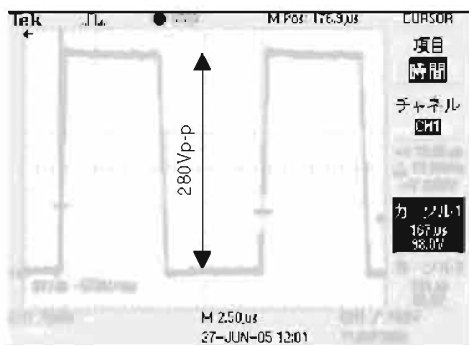
注意：製品の状態で確認を行う場合は、オシロスコープのシャーシと製品のシャーシを接続（ショート）しないでください。

■ IC402：4-5ピン（GND-LVG）間の波形測定

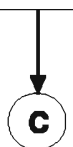


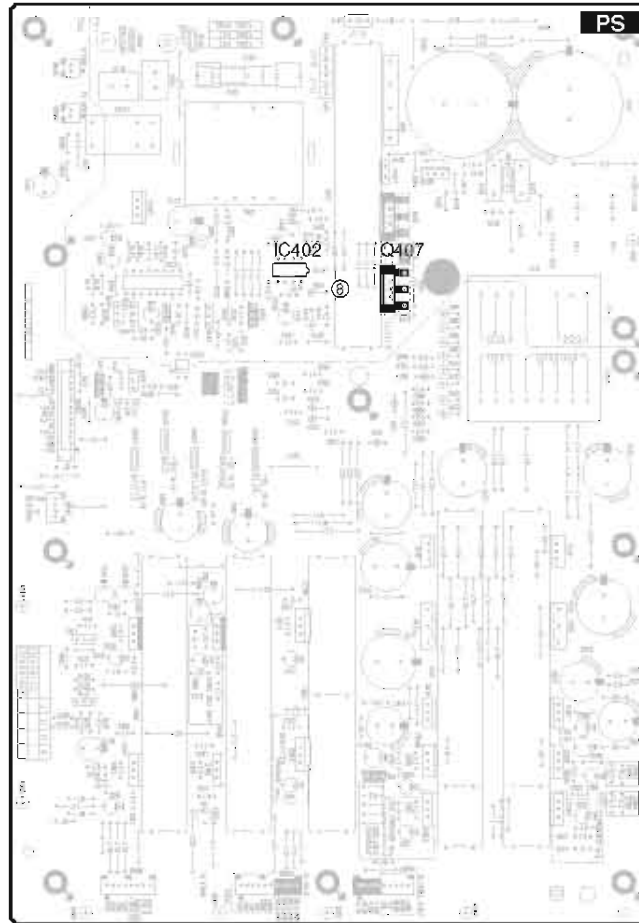
矩形波を確認します。
 ・周期：約14μs（約70kHz）
 ・振幅：約15Vp-p
 （プローブアース：IC402 4ピン）

■ Q407（IGBT）：コレクタ-エミッタ間の波形測定

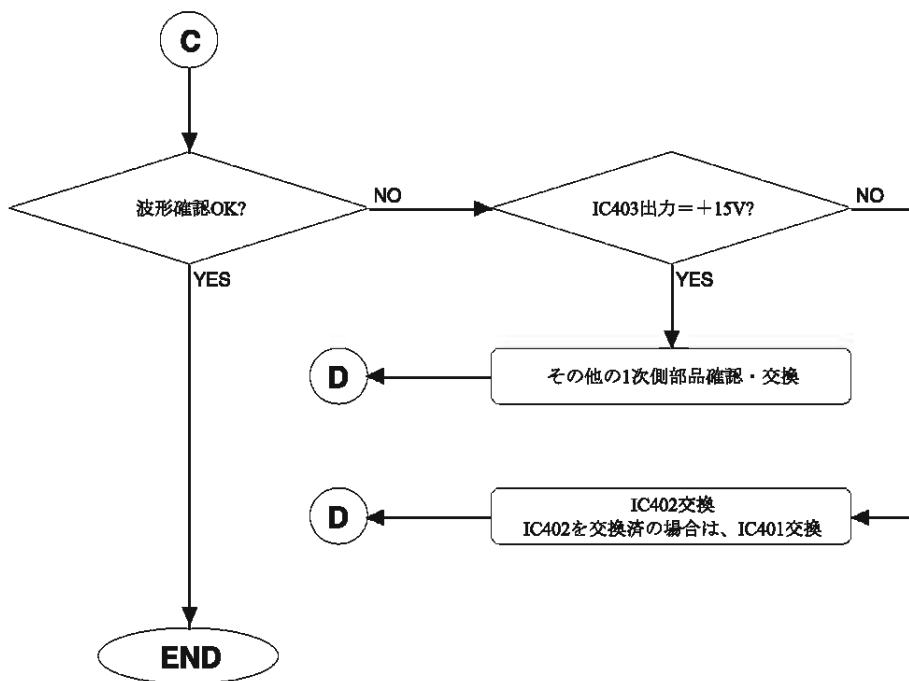


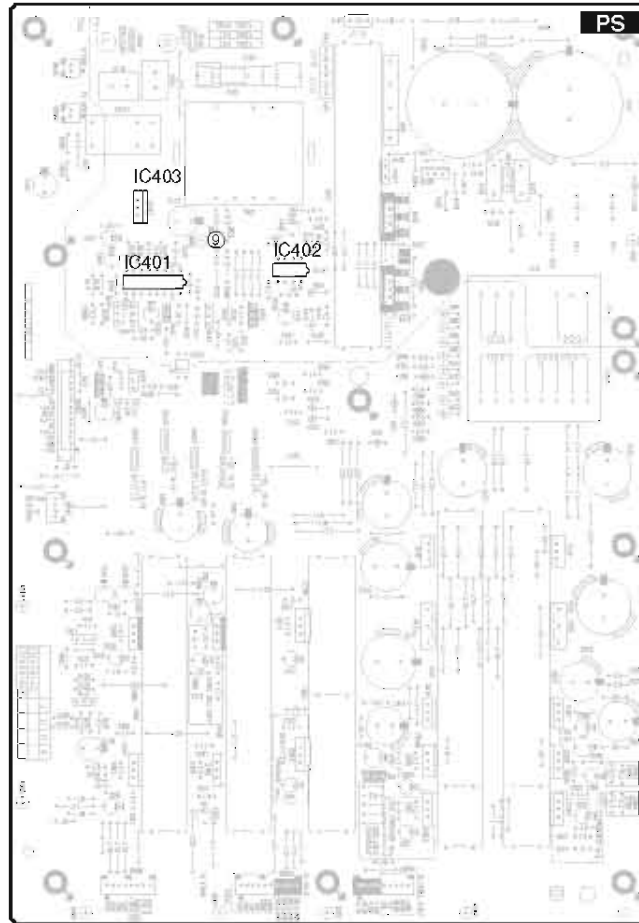
矩形波を確認します。
 ・周期：約14μs（約70kHz）
 ・振幅：約280Vp-p
 1次電源の状態で多少変化します。
 （プローブアース：Q407 エミッタ）





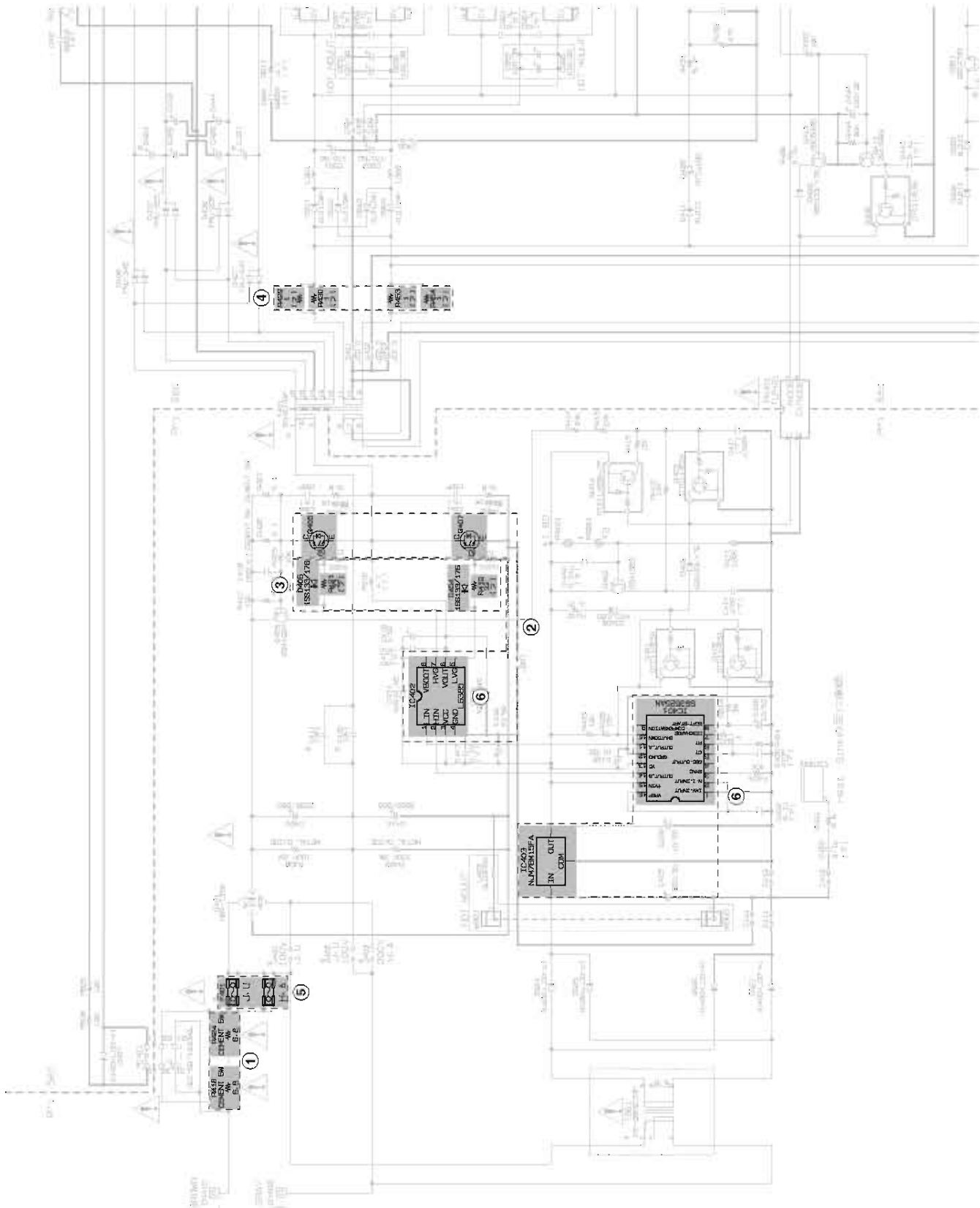
| REF NO. | PART NO. | DESCRIPTION | | 部 品 名 | | | | REMARKS |
|---------|----------|-------------|------------------|-------|---|---|---|-------------|
| ③ IC402 | X5908A00 | IC | L6385 | I | | | C | |
| Q407 | V8234000 | IGBT | TOR 1MBK50D 600V | I | G | B | T | J |
| Q407 | WD886600 | IGBT | IRGB15B60KDPBF | I | G | B | T | U,H,B,O,A,K |





| REF NO. | PART NO. | DESCRIPTION | | 部 | 品 | 名 | REMARKS |
|---------|----------|-------------|----|------------|---|---|---------|
| ③ | IC401 | X2383A00 | IC | SG3525AN | I | C | |
| | IC402 | X5908A00 | IC | L6385 | I | C | |
| | IC403 | XJ603A00 | IC | NJM78M15FA | I | C | |

3-3 Parts of Check and Repair on the Diagram. (主要チェック/修理部品)



The gray shaded components indicate the parts to be reviewed for repair.

(灰色の部品は主要修理部品です。)

POWERED MIXER

EMX5014C

PARTS LIST


■ CONTENTS (目次)


| | |
|--|----|
| OVERALL ASSEMBLY (総組立) | 2 |
| POWER AMPLIFIER UNIT (パワーアンプユニット) | 8 |
| HEAT SINK UNIT L100 (ヒートシンクユニットL100) | 10 |
| HEAT SINK UNIT L90A (ヒートシンクユニットL90A) | 12 |
| HEAT SINK UNIT L90B (ヒートシンクユニットL90B) | 13 |
| HEAT SINK UNIT L90C (ヒートシンクユニットL90C) | 14 |
| HEAT SINK UNIT L45 (ヒートシンクユニットL45) | 15 |
| ELECTRICAL PARTS (電気部品) | 16 |
| RK5014 RACK MOUNT KIT (ラックマウントキット) | 58 |

Notes: DESTINATION ABBREVIATIONS

| | |
|--------------------------|---------------------------------|
| A : Australian model | M : South African model |
| B : British model | O : Chinese model |
| C : Canadian model | Q : South-east Asia model |
| D : German model | T : Taiwan model |
| E : European model | U : U.S.A. model |
| F : French model | V : General export model (110V) |
| H : North European model | W : General export model (220V) |
| I : Indonesian model | N,X: General export model |
| J : Japanese model | Y : Export model |
| K : Korean model | |

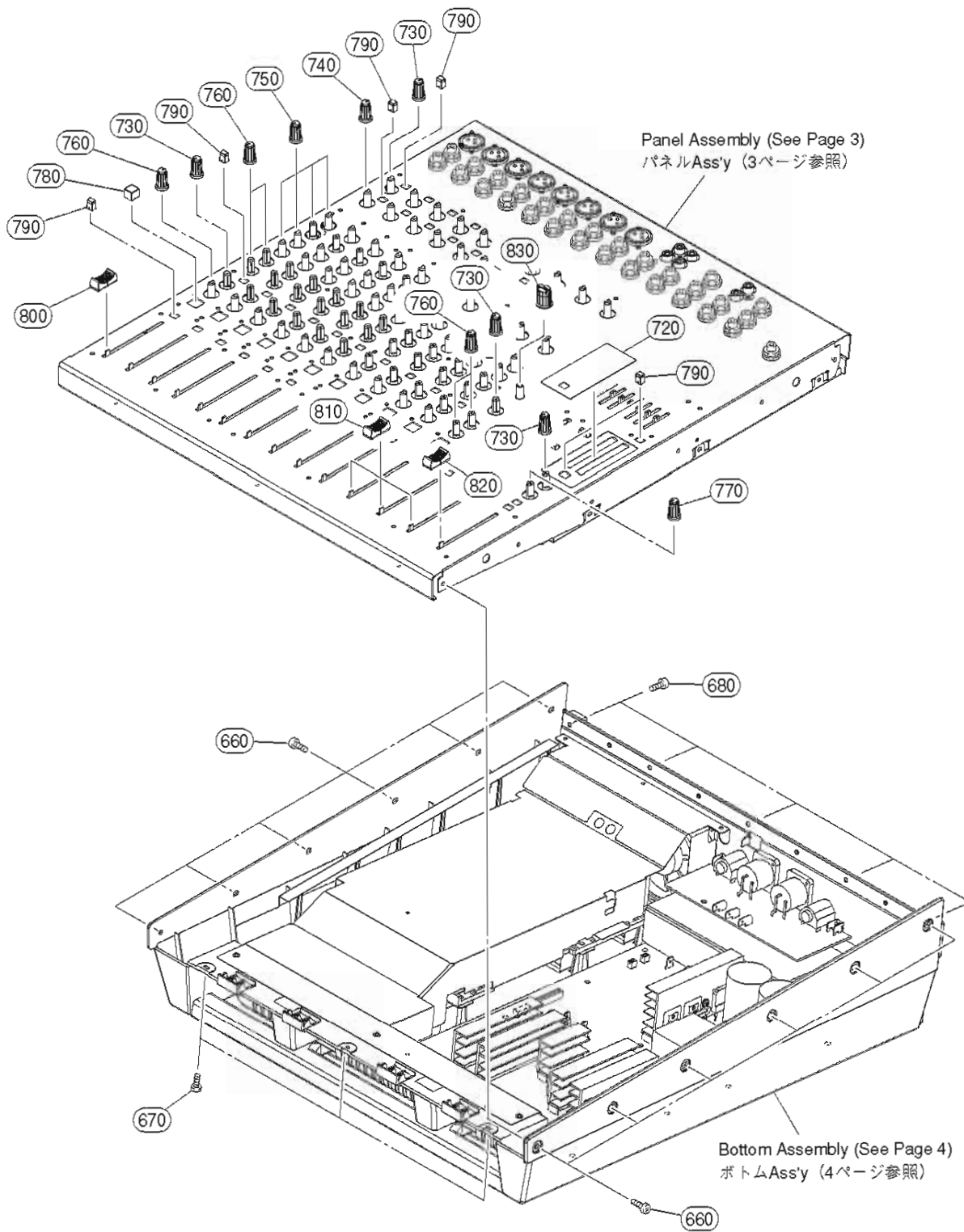
■ WARNING (注意)

Components having special characteristics are marked  and must be replaced with parts having specification equal to those originally installed.

 印の部品は、安全を維持するために重要な部品です。交換する場合は、安全のために必ず指定の部品をご使用ください。

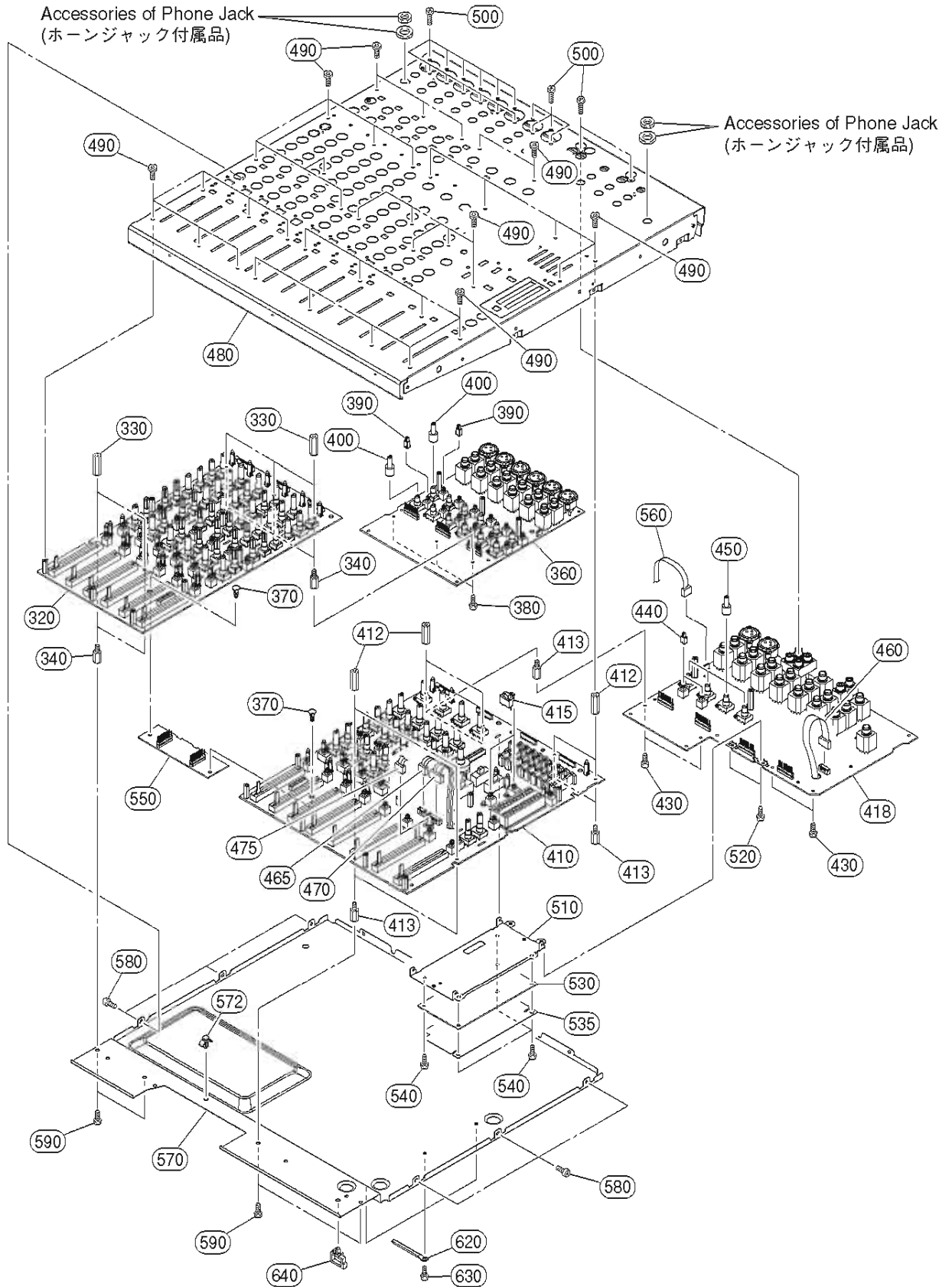
- The numbers "QTY" show quantities for each unit.
- The parts with "--" in "PART NO." are not available as spare parts.
- This mark "}" in the REMARKS column means these parts are interchangeable.
- The second letter of the shaded () part number is O, not zero.
- The second letter of the shaded () part number is I, not one.
- 部品価格ランクは、変更になることがあります。
- QTY 欄に記されている数字は、各ユニット当たりの使用個数です。
- PART NO. が "--" の部分は、サービス用部品として準備されておりません。
- REMARKS 欄の "}" マークの部品は、併用部品です。
- 網掛けの付いた PART NO. の 2 番目の文字は「ゼロ」ではなく、「オー」です。
- 網掛けの付いた PART NO. の 2 番目の文字は「イチ」ではなく、「アイ」です。

OVERALL ASSEMBLY 1/3 (総組立 1/3)



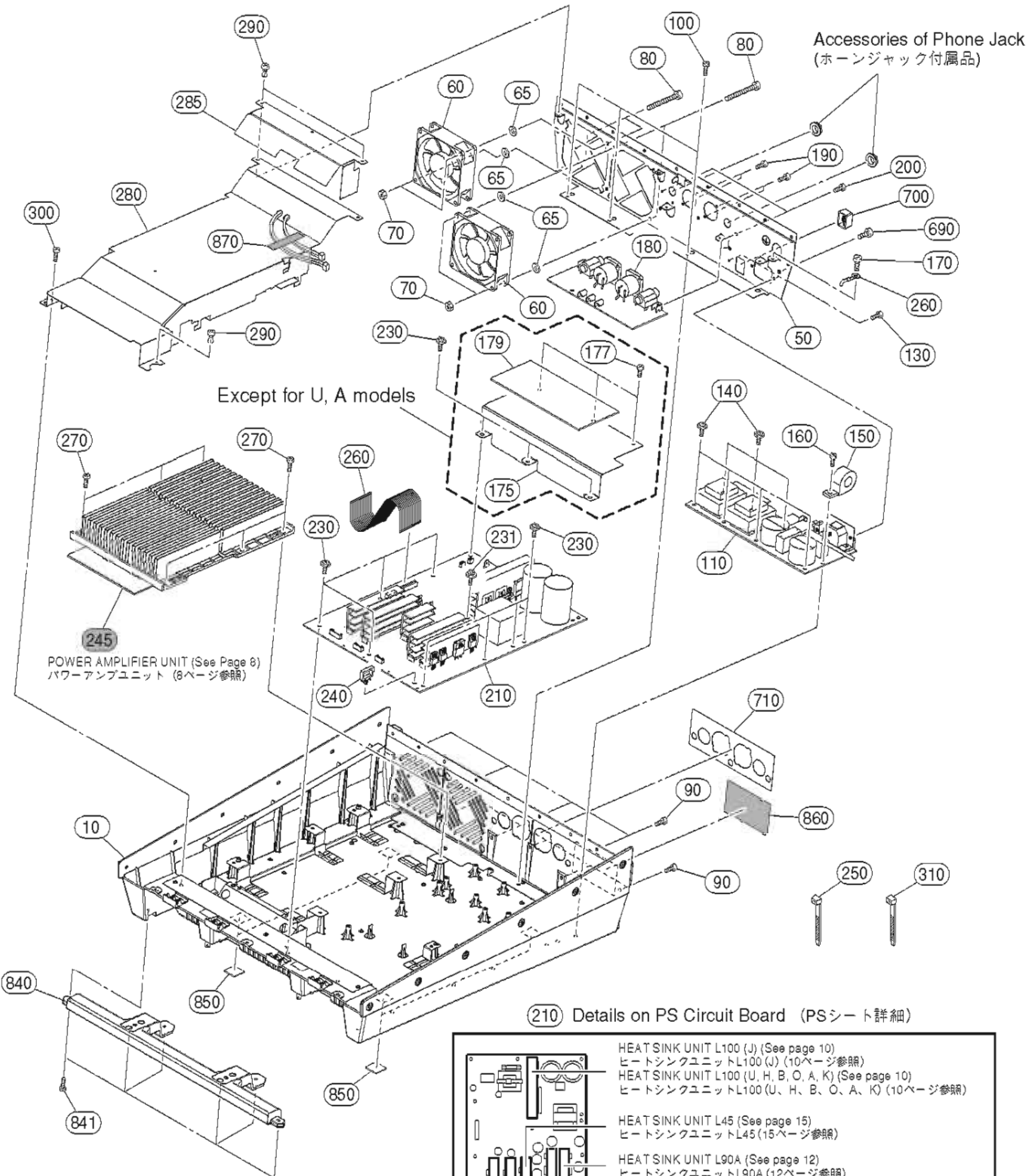
OVERALL ASSEMBLY 2/3 (総組立 2/3)

Panel Assembly (パネルAss'y)



OVERALL ASSEMBLY 3/3 (総組立 3/3)

Bottom Assembly (ボトムアッセンブリ)



| | |
|--|---|
| | HEAT SINK UNIT L100 (J) (See page 10) ヒートシンクユニットL100 (J) (10ページ参照) |
| | HEAT SINK UNIT L100 (U, H, B, O, A, K) (See page 10) ヒートシンクユニットL100 (U, H, B, O, A, K) (10ページ参照) |
| | HEAT SINK UNIT L45 (See page 15) ヒートシンクユニットL45 (15ページ参照) |
| | HEAT SINK UNIT L90A (See page 12) ヒートシンクユニットL90A (12ページ参照) |
| | HEAT SINK UNIT L90B (See page 13) ヒートシンクユニットL90B (13ページ参照) |
| | HEAT SINK UNIT L90C (See page 14) ヒートシンクユニットL90C (14ページ参照) |

| REF NO. | PART NO. | DESCRIPTION | 部 品 名 | REMARKS | QTY | RANK |
|---------|----------|---------------------------|--------------------|---------------|---------------------|-----------|
| | | OVERALL ASSEMBLY | | EMX5014C | | |
| | -- | Overall Assembly | 総組立 | J (WF54400) | | |
| | -- | Overall Assembly | 総組立 | U (WG10010) | | |
| | -- | Overall Assembly | 総組立 | H,B (WG10020) | | |
| | -- | Overall Assembly | 総組立 | A (WG10030) | | |
| | -- | Overall Assembly | 総組立 | O (WG12220) | | |
| | -- | Overall Assembly | 総組立 | K (WH23510) | | |
| 10 | WG218200 | Bottom Cover Unit | PA 8E21 | ボトムカバーユニット | | |
| 50 | WF548200 | Rear Panel | | リアパネル | | |
| 60 | WC521600 | Fan | CD85NJ200010 | DCファン | 2 | 06 |
| 65 | WF578600 | Flat Washer | 4x8x0.8 MFZN2W3 | ワッシャー | 4 | 01 |
| 70 | WG169200 | Hexagonal Nut | M4 #1 | 六角ナット | 4 | |
| 80 | WE999200 | Bind Head Screw | 4x35 MFZN2B3 | 小ネジ + BIND | 4 | 01 |
| 90 | WF257500 | Bind Head Tapping Screw-S | 3x8 MFZN2B3 | Sタイト + BIND | 10 | 01 |
| 100 | WF001000 | Bind Head Tapping Screw-P | 3x10 MFZN2W3 | Pタイト + バインド | 3 | 01 |
| 110 | WG970100 | Circuit Board | INLET | INLETシート | J | |
| 110 | WG970200 | Circuit Board | INLET | INLETシート | U,A | |
| 110 | WG970300 | Circuit Board | INLET | INLETシート | H,B,O,K | |
| 130 | WF257500 | Bind Head Tapping Screw-S | 3x8 MFZN2B3 | Sタイト + BIND | 3 | 01 |
| 140 | WF765500 | PW Head Tapping Screw-P | 3x10-10 MFZN2W3 | Pタイト + PWH | 7 | 01 |
| 150 | V3122900 | Ferrite Core | K1 NFT-13BK2 | データラインフィルタ | | 06 |
| 160 | WF765500 | PW Head Tapping Screw-P | 3x10-10 MFZN2W3 | Pタイト + PWH | | 01 |
| 170 | WE941800 | Bind Head Tapping Screw-S | 4x8 MFZN2W3 | Sタイト + BIND | | 01 |
| 175 | -- | Shield Inlet A | | シールドインレットA | J,H,B,O,K (WG41290) | |
| 177 | WE877900 | Bind Head Tapping Screw-S | 3x6 MFZN2W3 | Sタイト + BIND | J,H,B,O,K | 3 |
| 179 | -- | Dumper Inlet | | ダンプインレット | J,H,B,O,K (WG61430) | |
| 180 | WF569900 | Circuit Board | OUT | O U T シート | | |
| 190 | WF790100 | Flat Fillister H.Tapping | 3x8 MFZN2B3 | Bタイト + 平頭 | 4 | |
| 200 | WF257500 | Bind Head Tapping Screw-S | 3x8 MFZN2B3 | Sタイト + BIND | 2 | 01 |
| 210 | WG970400 | Circuit Board | PS | P S シート | J | |
| 210 | WG970500 | Circuit Board | PS | P S シート | U | |
| 210 | WG970700 | Circuit Board | PS | P S シート | A | |
| 210 | WG970600 | Circuit Board | PS | P S シート | H,B,O,K | |
| 230 | WF765500 | PW Head Tapping Screw-P | 3x10-10 MFZN2W3 | Pタイト + PWH | 11 | 01 |
| 231 | WG776100 | Bind Head Tapping Screw-P | 3x10 MFZN2W3 | Pタイト + BIND | | |
| 240 | WG102100 | Wire Saddle | LWS-3S 2W KITAGAWA | ワイヤーサドル | | |
| 245 | WF534600 | Power Amplifier Unit | | パワーアンプユニット | | |
| 250 | V3272800 | Cord Holder | T18R TYTIN CO. | インシュロックタイ | 2 | |
| 260 | WG234700 | Jumper Wire | SMV2J P=2.0 14-260 | ジャンパーリード | | |
| 270 | WF001000 | Bind Head Tapping Screw-P | 3x10 MFZN2W3 | Pタイト + バインド | 6 | 01 |
| 280 | -- | Duct PA | | ダクト PA | | (WF54830) |
| 285 | -- | Fan Shield | | ファンシールド | | (WG81820) |
| 290 | CB815740 | Plastic Rivet | NRP-345 | プラスチックリベット | 3 | 01 |
| 300 | WF001000 | Bind Head Tapping Screw-P | 3x10 MFZN2W3 | Pタイト + バインド | | 01 |
| 310 | V3272800 | Cord Holder | T18R TYTIN CO. | インシュロックタイ | 4 | |
| 320 | WF533000 | Circuit Board | IN6 | I N 6 シート | | |
| 330 | WD939600 | Hexagonal Spacer | L=16 | 六角スペーサー M3 | 5 | |
| 340 | WE092800 | Hexagonal Spacer | L=7.5 | 六角スペーサー M3 | 5 | |
| 360 | WF569000 | Circuit Board | INJK | I N J K シート | | |
| 370 | VF474300 | Locking Card Spacer | KGLS-8RT | ロッキングカードスペーサ | 2 | 02 |
| 380 | WE877900 | Bind Head Tapping Screw-S | 3x6 MFZN2W3 | Sタイト + BIND | 3 | 01 |
| 390 | WD942200 | Knob Black | | ノブ 継ぎ手 H P F | 12 | 01 |
| 400 | WE159100 | Knob Black | | ノブ 継ぎ手 V R S | 12 | |
| 410 | WF532900 | Circuit Board | STMAS | S T M A S シート | | |
| 412 | WD939600 | Hexagonal Spacer | L=16 | 六角スペーサー M3 | 6 | |
| 413 | WE092800 | Hexagonal Spacer | L=7.5 | 六角スペーサー M3 | 6 | |
| 415 | WF776700 | Button | MILKY/D-GRAY | ボタン P F L | 2 | |
| 418 | WF533100 | Circuit Board | MASJK | M A S J K シート | | |
| 430 | WE877900 | Bind Head Tapping Screw-S | 3x6 MFZN2W3 | Sタイト + BIND | 4 | 01 |
| 440 | WD942200 | Knob Black | | ノブ 継ぎ手 H P F | 2 | 01 |
| 450 | WE159100 | Knob Black | | ノブ 継ぎ手 V R S | 4 | |
| 460 | WE312900 | Connector Assembly | 6P-550 | P H 束線 | | |
| 465 | WG456800 | Connector Assembly | SIG | S I G 束線 | | |
| 470 | WE318600 | Connector Assembly | 8P-400 | P H 束線 | | |
| 475 | WE309500 | Connector Assembly | 5P-350 | P H 束線 | | |
| 480 | WG103500 | Top Cover | | トップカバー印刷上 | | |
| 490 | WF419300 | Hex. Socket Head Screw | 3x6 MFZN2B3 | Sタイト 六角孔付き | 35 | 01 |
| 500 | WE878000 | Bonding Tapping Screw-B | 3x10 MFZN2B3 | Bタイト + BOND | 18 | 01 |
| 510 | -- | Shield | | シールド D S P | | (WF54610) |
| 520 | WE877900 | Bind Head Tapping Screw-S | 3x6 MFZN2W3 | Sタイト + BIND | 2 | 01 |

*: New Parts

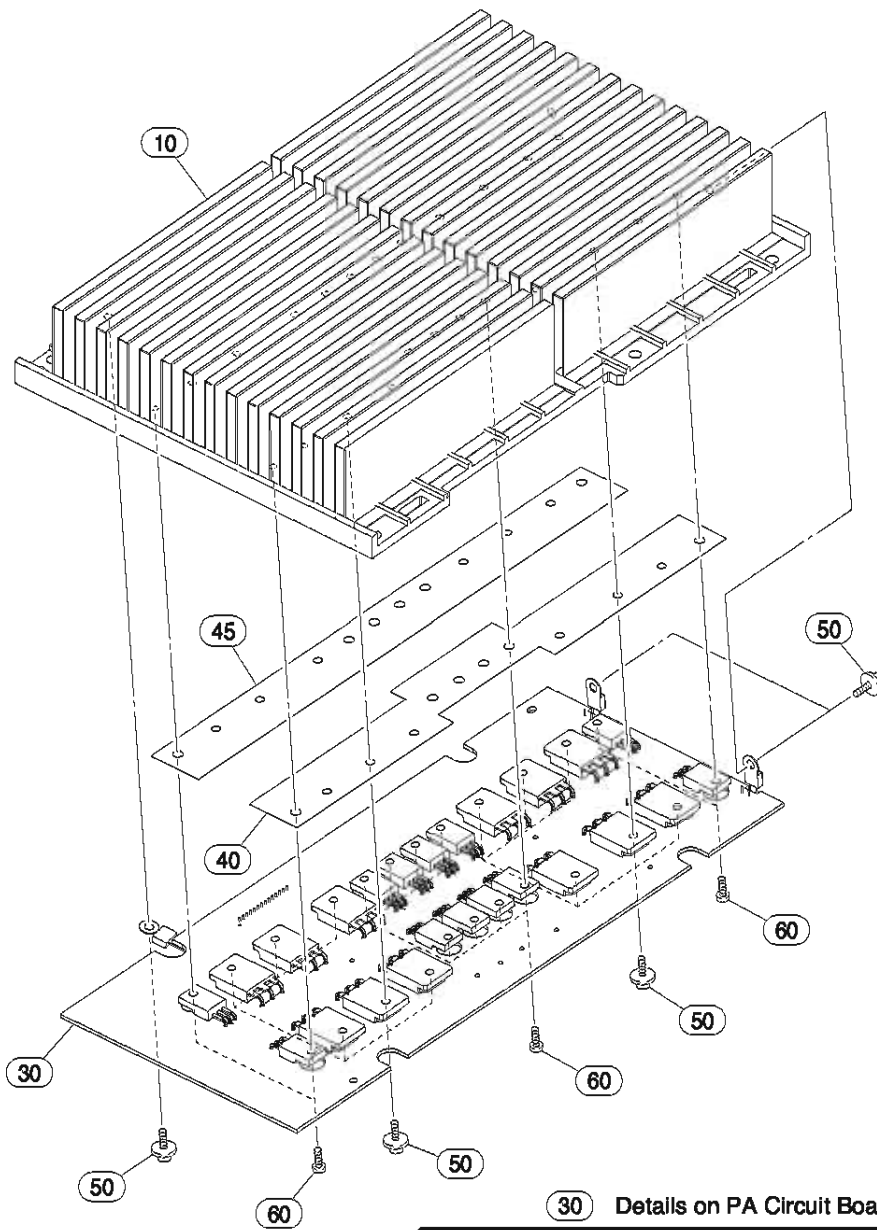
RANK: Japan only

| REF NO. | PART NO. | DESCRIPTION | | 部 品 名 | REMARKS | QTY | RANK |
|---------|----------|---------------------------|--------------------|---------------------|--|-----|------|
| 530 | WD943600 | Circuit Board | DSP | D S P シ ー ト | | | 16 |
| 535 | -- | Cover | | カ バ ー D S P | (WG82220) | | |
| 540 | WE877900 | Bind Head Tapping Screw-S | 3x6 MFZN2W3 | S タ イ ト + B I N D | | 4 | 01 |
| 550 | WG085400 | Circuit Board | CNT1 | C N T 1 シ ー ト | | | |
| 560 | WG976000 | Connector Assembly | C&C 3P L=40mm | 兼 線 | | | |
| 570 | -- | Shield MIXASS | | シ ー ル ド M I X A S S | (WG44250) | | |
| 572 | WG257900 | Card Spacer | KGPS-3S | カ ー ド ス ペ ー サ ー | | | |
| 580 | WE877900 | Bind Head Tapping Screw-S | 3x6 MFZN2W3 | S タ イ ト + B I N D | | 6 | 01 |
| 590 | WE877900 | Bind Head Tapping Screw-S | 3x6 MFZN2W3 | S タ イ ト + B I N D | | 4 | 01 |
| 620 | WD796400 | Cord Binder | S-72B KITAGAWA | 兼 線 止 め | | 3 | |
| 630 | WE877900 | Bind Head Tapping Screw-S | 3x6 MFZN2W3 | S タ イ ト + B I N D | | 3 | 01 |
| 640 | -- | Wire Saddle | LWS-3S 2W KITAGAWA | ワ イ ヤ ー サ ド ル | (WG10210) | | |
| 660 | WE994800 | Bind Head Tapping Screw-S | 4x8 MFZN2B3 | S タ イ ト + B I N D | | 12 | 01 |
| 670 | WF257500 | Bind Head Tapping Screw-S | 3x8 MFZN2B3 | S タ イ ト + B I N D | | 3 | 01 |
| 680 | WF257500 | Bind Head Tapping Screw-S | 3x8 MFZN2B3 | S タ イ ト + B I N D | | 5 | 01 |
| 690 | WE994800 | Bind Head Tapping Screw-S | 4x8 MFZN2B3 | S タ イ ト + B I N D | | | 01 |
| 700 | WD345600 | Power Switch Knob | | P S W ノ ブ | | | 01 |
| 710 | WG120800 | Window Out | | 窓 ア ウ ト 印 刷 上 り | | | |
| 720 | WG120900 | Window Level | | ウ イ ン ド レ ベ ル 印 刷 上 | | | |
| 730 | V9665200 | Knob White/M-Gray | S | ノ ブ V R (S) | GAIN(CH1-6,7/8,9/10,11/12, .13/14) EFFECT(CH1-6,7/8,9/10,11/ 12,13/14) PARAMETER PHONES COMP(CH1-6) | 22 | 01 |
| 740 | WD930200 | Knob Yellow/M-Gray | | ノ ブ V R (S) | HIGH((CH1-6,7/8,9/10,11/12, .13/14) MID-(CH1-6) MID((CH1-6,7/8,9/10,11/12, 13/14) LOW((CH1-6,7/8,9/10,11/12, 13/14) | 6 | 01 |
| 750 | V9665300 | Knob Green/M-Gray | S | ノ ブ V R (S) | AUX1-2((CH1-6,7/8,9/10, 11/12,13/14) AUX1/2 | 36 | 01 |
| 760 | V9665400 | Knob Blue/M-Gray | S | ノ ブ V R (S) | PAN(CH1-6,7/8,9/10,11/12, 13/14),ST SUB OUT | 22 | 01 |
| 770 | V9665500 | Knob Red/M-Gray | | ノ ブ V R (S) | ON(CH1-6,7/8,9/10,11/12,1 3/14,EFFECT) | 11 | 01 |
| 780 | WD346300 | Button | | ボ タ ン T A P | 26dB(CH1-6),80(CH1-6,7/8, 9/10)PRE(CH1-6,7/8,9/10,1 1/12,13/14),PFL(CH1-6,7/8 .9/10,11/12,13/14)PFL(EFF ECT RTN,ST),AFL(AUX1,2,ST) | 11 | |
| 790 | WF776200 | Button D-Gray/White | HPF | ボ タ ン H P F | 26dB(CH1-6),80(CH1-6,7/8, 9/10)PRE(CH1-6,7/8,9/10,1 1/12,13/14),PFL(CH1-6,7/8 9/10,11/12,13/14)PFL(EFF ECT RTN,ST),AFL(AUX1,2,ST) | 41 | |
| 790 | V9664800 | Button D-Gray/White | HPF | ボ タ ン H P F | 26dB(CH1-6),80(CH1-6,7/8, 9/10)PRE(CH1-6,7/8,9/10,1 1/12,13/14),PFL(CH1-6,7/8 9/10,11/12,13/14)PFL(EFF ECT RTN,ST),AFL(AUX1,2,ST) | 41 | 01 |
| 800 | V9664900 | Fader Knob Black/L-Gray | | ノ ブ F A D E R | | 10 | 01 |
| 810 | V9665000 | Fader Knob Red/D-Gray | | ノ ブ F A D E R | | 3 | 01 |
| 820 | V9665100 | Fader Knob White/Red | | ノ ブ F A D E R | | | 01 |
| 830 | WD233000 | Knob Select Black | | ノ ブ S E L E C T 色 上 | | | 03 |
| 840 | WF548100 | Handle | | ハ ン ド ル | | | |
| 841 | WF268000 | Bind Head Tapping Screw-P | 3x10 MFZN2B3 | P タ イ ト + B I N D | | 8 | 01 |
| 850 | WG117000 | Foot | | レ ッ グ | | 4 | |
| 860 | -- | Label, Name Plate | | ラ ベ ル メ イ バ ン | J (WG12110) | | |
| 860 | -- | Label, Name Plate | | ラ ベ ル メ イ バ ン | U (WG12120) | | |
| 860 | -- | Label, Name Plate | | ラ ベ ル メ イ バ ン | HB (WG12130) | | |
| 860 | -- | Label, Name Plate | | ラ ベ ル メ イ バ ン | A (WG12140) | | |
| 860 | -- | Label, Name Plate | | ラ ベ ル メ イ バ ン | O (WG12230) | | |
| 860 | -- | Label, Name Plate | | ラ ベ ル メ イ バ ン | K (WH23530) | | |
| 870 | 22764900 | Filament Tape | FILAMENT 12x50m | 粘 着 テ ー プ | | | 08 |
| | | ACCESSORIES | | 付 属 品 | EMX5014C | | |
| | WD176200 | AC Cord | J 3x0.75 | 電 源 コ ー ド | J | | 06 |
| | WC249500 | AC Cord | UC SJT 18/3 | 電 源 コ ー ド | U | | 05 |
| | WC249600 | AC Cord | E H05VV-F 3x1.0 | 電 源 コ ー ド | H,A,K | | 05 |
| | WD296400 | AC Cord | 1 VCTF O.75x3 | 電 源 コ ー ド | O | | 06 |

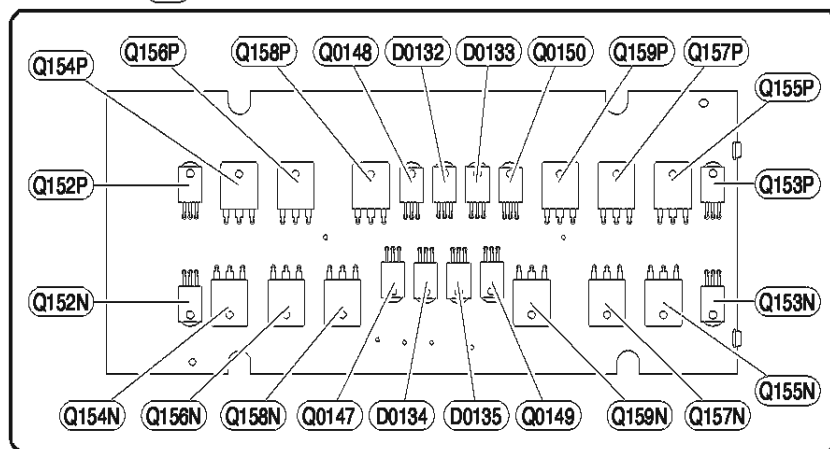
*: New Parts

RANK: Japan only

■ POWER AMPLIFIER UNIT (パワーアンプユニット)



30 Details on PA Circuit Board (シートPA詳細)



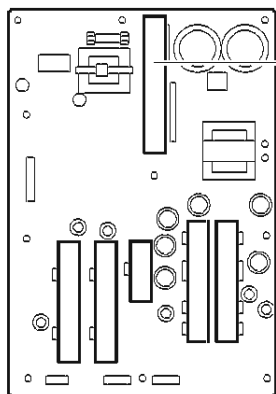
| REF NO. | PART NO. | DESCRIPTION | 部 品 名 | REMARKS | QTY | RANK |
|---------|-----------------|--|---------------------------------|-----------|-----|------|
| | WF534600 | POWER AMPLIFIER UNIT Power Amplifier Unit | パワーアンプユニット パワーアンプユニット | EMX5014C | | |
| 10 | -- | Heat Sink PA | ヒートシンク PA | (WF54840) | | |
| 30 | -- | Circuit Board | P A シ ー ト | (WG10340) | | |
| 40 | WE694000 | Radiation Sheet | 放 熱 シ ー ト A | | | 04 |
| 45 | WE694100 | Radiation Sheet | WHITE 放 熱 シ ー ト B | | | 04 |
| 50 | WE877700 | Bind Head Screw | 3x12 MFZN2W3 小 ネジ + B I N D | | 15 | |
| 60 | WE774300 | Bind Head Tapping Screw-B | 3x8 MFZN2W3 B タイト + B I N D | | 12 | 01 |
| D0132 | WE238700 | Twin Diode | RF1001T2D 10.0A 20 ツインダイオード | | | 03 |
| D0133 | WE238700 | Twin Diode | RF1001T2D 10.0A 20 ツインダイオード | | | 03 |
| D0134 | WE238700 | Twin Diode | RF1001T2D 10.0A 20 ツインダイオード | | | 03 |
| D0135 | WE238700 | Twin Diode | RF1001T2D 10.0A 20 ツインダイオード | | | 03 |
| Q0147 | WD844200 | FET | 2SK3599-01MR F E T | | | 03 |
| Q0148 | WD844200 | FET | 2SK3599-01MR F E T | | | 03 |
| Q0149 | WD844200 | FET | 2SK3599-01MR F E T | | | 03 |
| Q0150 | WD844200 | FET | 2SK3599-01MR F E T | | | 03 |
| Q152N | VQ547300 | Transistor | 2SC4793 (HFE) ST ト ラ ン ジ ス タ | | | 03 |
| Q152P | VQ547200 | Transistor | 2SA1837 (HFE) ト ラ ン ジ ス タ | | | 03 |
| Q153N | VQ547300 | Transistor | 2SC4793 (HFE) ST ト ラ ン ジ ス タ | | | 03 |
| Q153P | VQ547200 | Transistor | 2SA1837 (HFE) ト ラ ン ジ ス タ | | | 03 |
| Q154N | V5611000 | Pair Transistor | A1386A/C3519A ペアトランジスタ | | | 05 |
| Q154P | V5611000 | Pair Transistor | A1386A/C3519A ペアトランジスタ | | | 05 |
| Q155N | V5611000 | Pair Transistor | A1386A/C3519A ペアトランジスタ | | | 05 |
| Q155P | V5611000 | Pair Transistor | A1386A/C3519A ペアトランジスタ | | | 05 |
| Q156N | V5611000 | Pair Transistor | A1386A/C3519A ペアトランジスタ | | | 05 |
| Q156P | V5611000 | Pair Transistor | A1386A/C3519A ペアトランジスタ | | | 05 |
| Q157N | V5611000 | Pair Transistor | A1386A/C3519A ペアトランジスタ | | | 05 |
| Q157P | V5611000 | Pair Transistor | A1386A/C3519A ペアトランジスタ | | | 05 |
| Q158N | V5611000 | Pair Transistor | A1386A/C3519A ペアトランジスタ | | | 05 |
| Q158P | V5611000 | Pair Transistor | A1386A/C3519A ペアトランジスタ | | | 05 |
| Q159N | V5611000 | Pair Transistor | A1386A/C3519A ペアトランジスタ | | | 05 |
| Q159P | V5611000 | Pair Transistor | A1386A/C3519A ペアトランジスタ | | | 05 |

*: New Parts

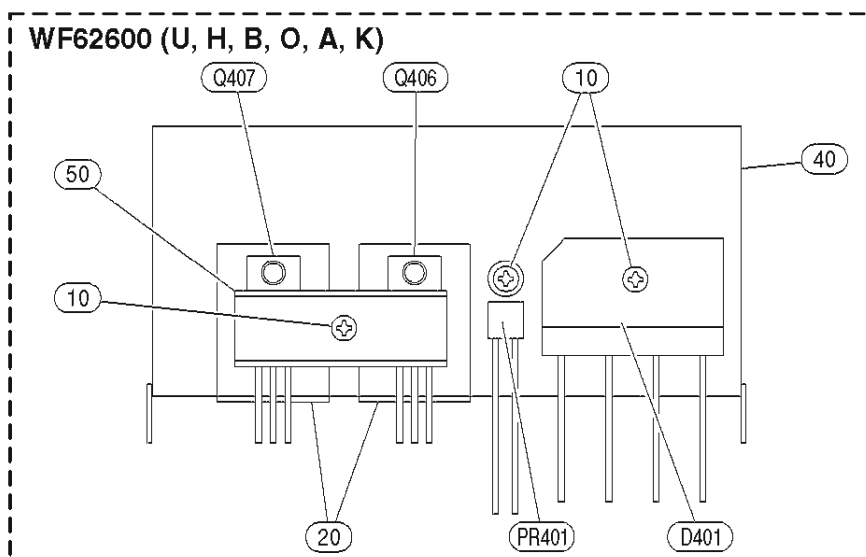
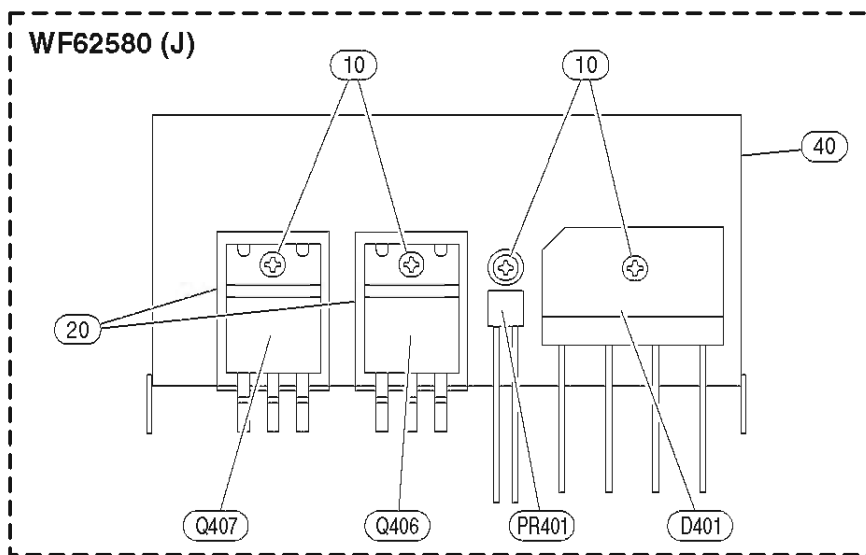
RANK: Japan only

■ HEAT SINK UNIT L100 (ヒートシンクユニットL100)

PS Circuit Board (PSシート)



WF62580 (J)
WF62600 (U, H, B, O, A, K)



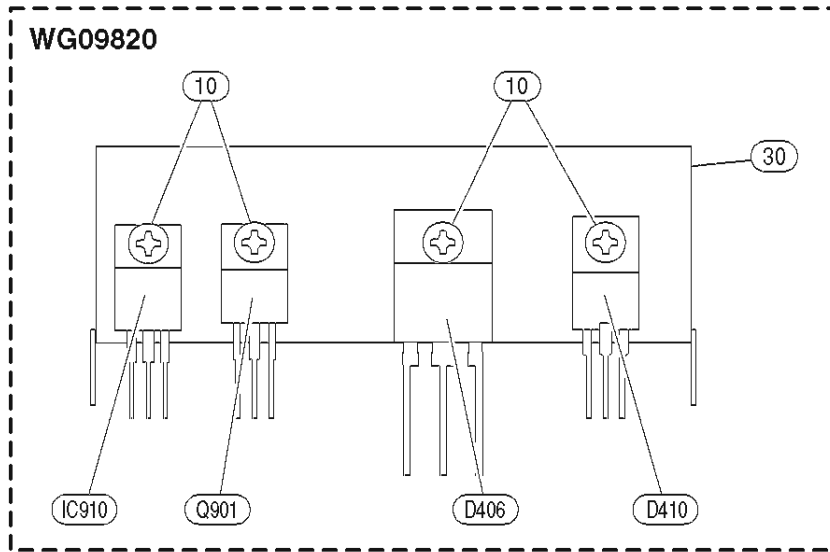
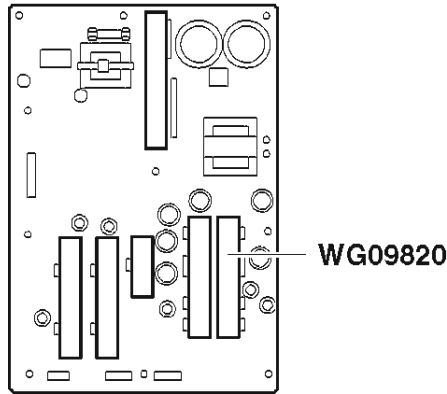
| REF NO. | PART NO. | DESCRIPTION | 部 品 名 | REMARKS | QTY | RANK |
|---------|----------|---------------------|--------------------|---------------|-----------------------|------|
| | -- | HEAT SINK UNIT | | ヒートシンクユニット | EMX5014C | |
| | -- | Heat Sink Unit | | ヒートシンクユニット | J (WF62580) | |
| 10 | WE952900 | Bind Head Screw | 3x10 MFZN2W3 | 小ネジ + B I N D | | 4 01 |
| 20 | WB448600 | Radiation Sheet | RSI T=0.07 | 放 熱 シ ー ト | | 2 01 |
| 30 | -- | Silicone Grease | X-113A G746 | シ リ コ ン グ リ ス | (VA79810) | |
| 40 | -- | Heat Sink Assembly | L100 | 放 熱 板 A s s y | (WG80390) | |
| D401 | V2261600 | Diode Bridge | RBV-1306 13A 00 | ダイオードブリッジ | | 04 |
| PR401 | VM850600 | Positive Thermistor | PTFM04BD222Q2N34B0 | ポ ジ ス タ | | 04 |
| Q406 | V8234000 | IGBT | TOR 1MBK50D 600V | I G B T | | 09 |
| Q407 | V8234000 | IGBT | TOR 1MBK50D 600V | I G B T | | 09 |
| | -- | Heat Sink Unit | | ヒートシンクユニット | U,H,B,O,A,K (WF62600) | |
| 10 | WE952900 | Bind Head Screw | 3x10 MFZN2W3 | 小ネジ + B I N D | | 3 01 |
| 20 | WB448600 | Radiation Sheet | RSI T=0.07 | 放 熱 シ ー ト | | 2 01 |
| 30 | -- | Silicone Grease | X-113A G746 | シ リ コ ン グ リ ス | (VA79810) | |
| 40 | -- | Heat Sink Assembly | L100 | 放 熱 板 A s s y | (WG80390) | |
| 50 | -- | Transistor Holder | | T R ホ ル ダ ー | (WE78280) | |
| D401 | V2261600 | Diode Bridge | RBV-1306 13A 00 | ダイオードブリッジ | | 04 |
| PR401 | VM850600 | Positive Thermistor | PTFM04BD222Q2N34B0 | ポ ジ ス タ | | 04 |
| Q406 | WD886600 | IGBT | IRGB15B60KDPBF | I G B T | | 06 |
| Q407 | WD886600 | IGBT | IRGB15B60KDPBF | I G B T | | 06 |

*: New Parts

RANK: Japan only

HEAT SINK UNIT L90A (ヒートシンクユニットL90A)

PS Circuit Board (PSシート)



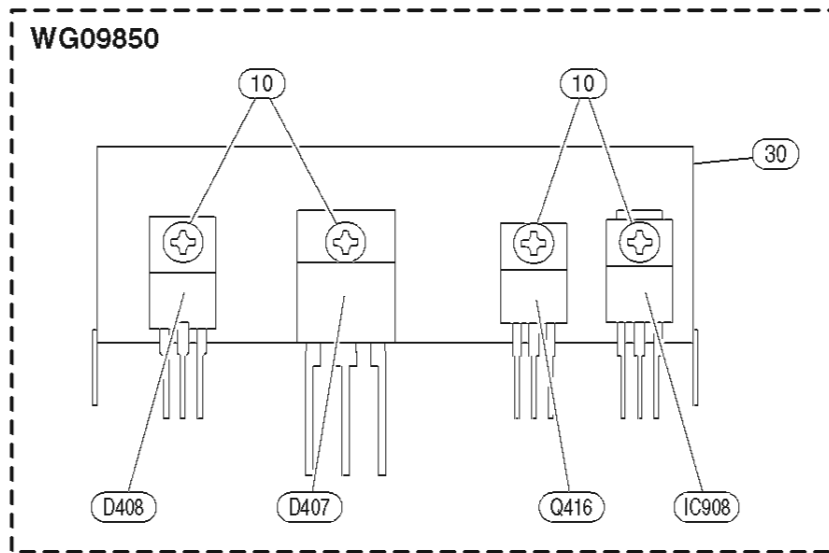
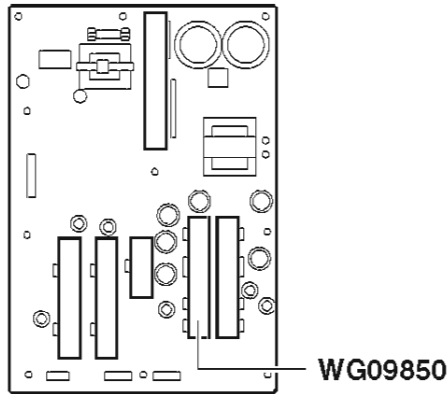
| REF NO. | PART NO. | DESCRIPTION | 部 品 名 | REMARKS | QTY | RANK |
|---------|----------|---------------------------|------------------|--------------|---------------|------|
| | -- | Heat Sink Unit | ヒートシンクユニット | (WG09820) | | |
| 10 | WE774300 | Bind Head Tapping Screw-B | 3x8 MFZN2W3 | Bタイト+BIND | 4 | 01 |
| 20 | -- | Silicone Grease | X-113A G746 | シリコングリス | | |
| 30 | -- | Heat Sink Assembly | L90A | 放熱板 Assembly | | |
| D406 | V5877300 | Diode | FMU-34S ST | ダイオード | | 06 |
| D410 | WD886200 | Diode Stack | FMU-22S 10A 200V | ダイオードスタック | | |
| IC910 | XJ607A00 | IC | NJM7805FA | I C | REGULATOR +5V | 02 |
| Q901 | VQ547300 | Transistor | 2SC4793 (HFE) ST | トランジスタ | | 03 |
| ... | ... | ... | ... | ... | | |
| ... | ... | ... | ... | ... | | |
| ... | ... | ... | ... | ... | | |

*: New Parts

RANK: Japan only

HEAT SINK UNIT L90B (ヒートシンクユニットL90B)

PS Circuit Board (PSシート)



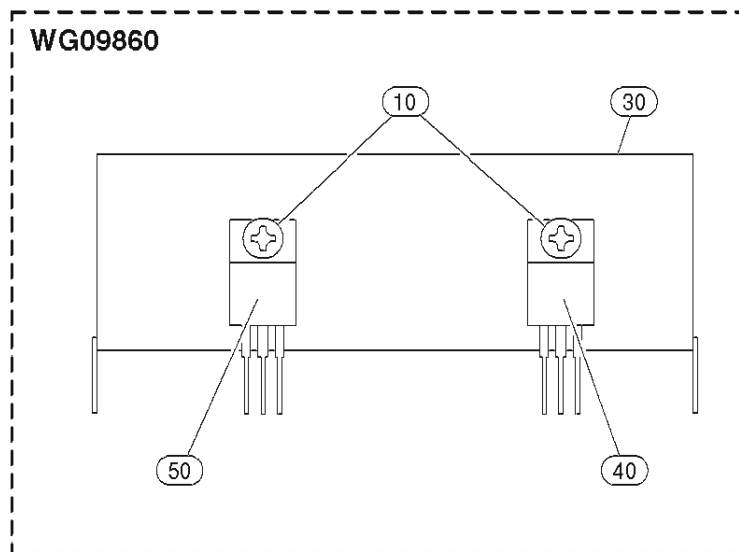
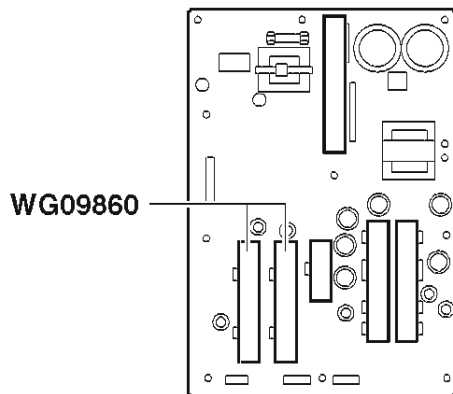
| REF NO. | PART NO. | DESCRIPTION | | 部 品 名 | REMARKS | QTY | RANK |
|---------|----------|---------------------------|-------------------|---------------|-----------|-----|------|
| | -- | Heat Sink Unit | | ヒートシンクユニット | (WG09850) | | |
| 10 | WE774300 | Bind Head Tapping Screw-B | 3x8 MFZN2W3 | Bタイト+ B I N D | | 4 | 01 |
| 20 | -- | Silicone Grease | X-113A G746 | シリコングリス | (VA79810) | | |
| 30 | -- | Heat Sink Assembly | L90B | 放熱板 A s s ' y | (WG80420) | | |
| D407 | V5877400 | Diode | FMU-34R ST | ダイオード | | | 06 |
| D408 | WD886300 | Diode Stack | FMU-22R 10A 200V | ダイオードスタック | | | |
| IC908 | X7252A00 | IC | UPC2905AHF-AZ +5V | I C | REGULATOR | | |
| IC908 | X5887A00 | IC | BA50BC0T +5V 1 0A | I C | | | 03 |
| Q416 | VS883400 | Transistor | 2SD2394 E,F ST | トランジスタ | | | 02 |
| ... | ... | ... | ... | ... | ... | ... | ... |

*: New Parts

RANK: Japan only

HEAT SINK UNIT L90C (ヒートシンクユニットL90C)

PS Circuit Board (PSシート)



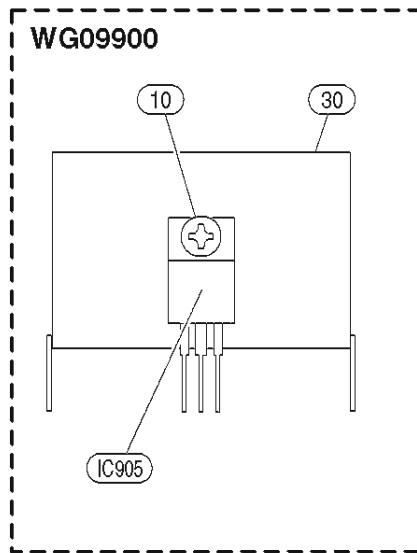
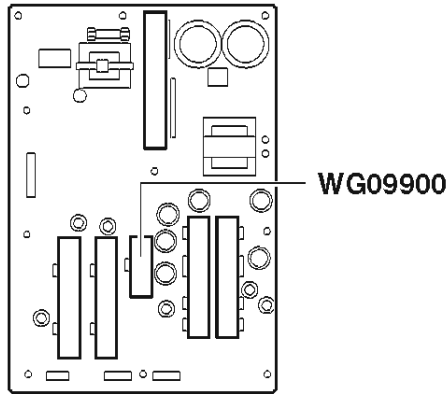
| REF NO. | PART NO. | DESCRIPTION | | 部 品 名 | REMARKS | QTY | RANK |
|---------|----------|---------------------------|-------------|-----------------|----------------|-----|------|
| | -- | Heat Sink Unit | | ヒートシンクユニット | (WG09860) | | |
| 10 | WE774300 | Bind Head Tapping Screw-B | 3x8 MFZN2W3 | B タイト + B I N D | | 2 | 01 |
| 20 | -- | Silicone Grease | X-113A G746 | シリコングリス | (VA79810) | | |
| 30 | -- | Heat Sink Assembly | L90C | 放 熱 板 A s s ' y | (WG80430) | | |
| 40 | XD853A00 | IC | NJM7815FA | I C | REGULATOR +15V | | 03 |
| 50 | XD854A00 | IC | NJM7915FA | I C | REGULATOR -15V | | 03 |
| ... | ... | ... | ... | ... | ... | ... | ... |
| ... | ... | ... | ... | ... | ... | ... | ... |
| ... | ... | ... | ... | ... | ... | ... | ... |

*: New Parts

RANK: Japan only

HEAT SINK UNIT L45 (ヒートシンクユニットL45)

PS Circuit Board (PSシート)



| REF NO. | PART NO. | DESCRIPTION | | 部 品 名 | REMARKS | QTY | RANK |
|---------|----------|---------------------------|---------------|--------------|-----------|-----|------|
| | -- | Heat Sink Unit | | ヒートシンクユニット | (WG09900) | | |
| 10 | WE774300 | Bind Head Tapping Screw-B | 3x8 MFZN2W3 | Bタイト+BIND | | | 01 |
| 20 | -- | Silicone Grease | X-113A G746 | シリコングリス | (VA79810) | | |
| 30 | -- | Heat Sink Assembly | L45 | 放熱板 Assembly | (WG80400) | | |
| IC905 | XJ608A00 | IC | NJM7812FA 12V | REGULATOR | | | 02 |
| ... | ... | ... | ... | ... | ... | ... | ... |
| ... | ... | ... | ... | ... | ... | ... | ... |
| ... | ... | ... | ... | ... | ... | ... | ... |

*: New Parts

RANK: Japan only

■ ELECTRICAL PARTS (電気部品)

| REF NO. | PART NO. | DESCRIPTION | 部 品 名 | REMARKS | QTY | RANK |
|---------|----------|----------------------------|-------------------|--------------------|-----|------|
| | | ELECTRICAL PARTS | 電 気 部 品 | EMX5014C | | |
| * | WD943600 | Circuit Board | D S P シ ー ト | (WD94390)(X5022C0) | | 16 |
| * | WF533000 | Circuit Board | I N 6 シ ー ト | (X6835C0) | | |
| * | WF569000 | Circuit Board | I N J K シ ー ト | (X6856C0) | | |
| * | WG970100 | Circuit Board | I N L E T シ ー ト | J (X6828C0) | | |
| * | WG970200 | Circuit Board | I N L E T シ ー ト | U,A (X6828C0) | | |
| * | WG970300 | Circuit Board | I N L E T シ ー ト | H,B,O,K (X6828C0) | | |
| * | WF533100 | Circuit Board | M A S J K シ ー ト | (WF53540)(X6826C0) | | |
| * | WG085400 | Circuit Board | C N T 1 シ ー ト | (WF53540)(X6826C0) | | |
| * | WF569900 | Circuit Board | O U T シ ー ト | (WF57000)(X6875C0) | | |
| * | WG103400 | Circuit Board | P A シ ー ト | (X7385B0) | | |
| * | WG970400 | Circuit Board | P S シ ー ト | J (X6827D0) | | |
| * | WG970500 | Circuit Board | P S シ ー ト | U (X6827D0) | | |
| * | WG970600 | Circuit Board | P S シ ー ト | H,B,O,K (X6827D0) | | |
| * | WG970700 | Circuit Board | P S シ ー ト | A (X6827D0) | | |
| * | WF532900 | Circuit Board | S T M A S シ ー ト | (X6825C0) | | |
| | WD943600 | Circuit Board | D S P シ ー ト | (WD94390)(X5022C0) | | 16 |
| CM01 | US064100 | Ceramic Capacitor-B (chip) | チ ッ プ セ ラ (B) | | | 01 |
| CM04 | US064100 | Ceramic Capacitor-B (chip) | チ ッ プ セ ラ (B) | | | 01 |
| -06 | US064100 | Ceramic Capacitor-B (chip) | チ ッ プ セ ラ (B) | | | 01 |
| CM07 | US064100 | Ceramic Capacitor-B (chip) | チ ッ プ セ ラ (B) | | | 01 |
| CM08 | UF037100 | Electrolytic Cap. (chip) | チ ッ プ ケ ミ コ ン | | | 01 |
| CM09 | UF028100 | Electrolytic Cap. (chip) | チ ッ プ ケ ミ コ ン | | | 01 |
| CM11 | US035100 | Ceramic Capacitor-B (chip) | チ ッ プ セ ラ (B) | | | 01 |
| -13 | US035100 | Ceramic Capacitor-B (chip) | チ ッ プ セ ラ (B) | | | 01 |
| CM14 | UF066220 | Electrolytic Cap. (chip) | チ ッ プ ケ ミ コ ン | | | 01 |
| CM15 | UF037100 | Electrolytic Cap. (chip) | チ ッ プ ケ ミ コ ン | | | 01 |
| CM16 | UF037100 | Electrolytic Cap. (chip) | チ ッ プ ケ ミ コ ン | | | 01 |
| CM17 | US035100 | Ceramic Capacitor-B (chip) | チ ッ プ セ ラ (B) | | | 01 |
| -20 | US035100 | Ceramic Capacitor-B (chip) | チ ッ プ セ ラ (B) | | | 01 |
| CM21 | US062100 | Ceramic Capacitor-SL(chip) | チ ッ プ セ ラ (S L) | | | 01 |
| CM22 | US035100 | Ceramic Capacitor-B (chip) | チ ッ プ セ ラ (B) | | | 01 |
| CM23 | US035100 | Ceramic Capacitor-B (chip) | チ ッ プ セ ラ (B) | | | 01 |
| CM24 | UF028100 | Electrolytic Cap. (chip) | チ ッ プ ケ ミ コ ン | | | 01 |
| CM25 | UF028100 | Electrolytic Cap. (chip) | チ ッ プ ケ ミ コ ン | | | 01 |
| CM26 | US063470 | Ceramic Capacitor-B (chip) | チ ッ プ セ ラ (B) | | | 01 |
| CM27 | US062220 | Ceramic Capacitor-SL(chip) | チ ッ プ セ ラ (S L) | | | 01 |
| CM28 | UF028100 | Electrolytic Cap. (chip) | チ ッ プ ケ ミ コ ン | | | 01 |
| CM29 | US035100 | Ceramic Capacitor-B (chip) | チ ッ プ セ ラ (B) | | | 01 |
| CM31 | US035100 | Ceramic Capacitor-B (chip) | チ ッ プ セ ラ (B) | | | 01 |
| CM32 | US035100 | Ceramic Capacitor-B (chip) | チ ッ プ セ ラ (B) | | | 01 |
| CM34 | UF037100 | Electrolytic Cap. (chip) | チ ッ プ ケ ミ コ ン | | | 01 |
| CM35 | US035100 | Ceramic Capacitor-B (chip) | チ ッ プ セ ラ (B) | | | 01 |
| CM36 | US035100 | Ceramic Capacitor-B (chip) | チ ッ プ セ ラ (B) | | | 01 |
| CM37 | UF037100 | Electrolytic Cap. (chip) | チ ッ プ ケ ミ コ ン | | | 01 |
| CM38 | US035100 | Ceramic Capacitor-B (chip) | チ ッ プ セ ラ (B) | | | 01 |
| CM40 | US035100 | Ceramic Capacitor-B (chip) | チ ッ プ セ ラ (B) | | | 01 |
| -42 | US035100 | Ceramic Capacitor-B (chip) | チ ッ プ セ ラ (B) | | | 01 |
| CM43 | UF037100 | Electrolytic Cap. (chip) | チ ッ プ ケ ミ コ ン | | | 01 |
| CM45 | UF037100 | Electrolytic Cap. (chip) | チ ッ プ ケ ミ コ ン | | | 01 |
| CM47 | UF037100 | Electrolytic Cap. (chip) | チ ッ プ ケ ミ コ ン | | | 01 |
| CM48 | UF037100 | Electrolytic Cap. (chip) | チ ッ プ ケ ミ コ ン | | | 01 |
| CM50 | UA653150 | Mylar Capacitor | マ イ ラ ー コ ン | | | 01 |
| CM51 | UA653150 | Mylar Capacitor | マ イ ラ ー コ ン | | | 01 |
| CM52 | UF037100 | Electrolytic Cap. (chip) | チ ッ プ ケ ミ コ ン | | | 01 |
| CM53 | US064100 | Ceramic Capacitor-B (chip) | チ ッ プ セ ラ (B) | | | 01 |
| CM54 | US035100 | Ceramic Capacitor-B (chip) | チ ッ プ セ ラ (B) | | | 01 |
| CM55 | US035100 | Ceramic Capacitor-B (chip) | チ ッ プ セ ラ (B) | | | 01 |
| CM56 | US062180 | Ceramic Capacitor-SL(chip) | チ ッ プ セ ラ (S L) | | | 01 |
| CM57 | US062180 | Ceramic Capacitor-SL(chip) | チ ッ プ セ ラ (S L) | | | 01 |
| CM58 | US035100 | Ceramic Capacitor-B (chip) | チ ッ プ セ ラ (B) | | | 01 |
| CM60 | US064100 | Ceramic Capacitor-B (chip) | チ ッ プ セ ラ (B) | | | 01 |
| CM61 | UF037100 | Electrolytic Cap. (chip) | チ ッ プ ケ ミ コ ン | | | 01 |
| CM62 | UF037470 | Electrolytic Cap. (chip) | チ ッ プ ケ ミ コ ン | | | 01 |
| CM63 | UF037470 | Electrolytic Cap. (chip) | チ ッ プ ケ ミ コ ン | | | 01 |
| CM64 | US062100 | Ceramic Capacitor-SL(chip) | チ ッ プ セ ラ (S L) | | | 01 |
| CM65 | US062100 | Ceramic Capacitor-SL(chip) | チ ッ プ セ ラ (S L) | | | 01 |
| CM70 | US035100 | Ceramic Capacitor-B (chip) | チ ッ プ セ ラ (B) | | | 01 |
| CM72 | US035100 | Ceramic Capacitor-B (chip) | チ ッ プ セ ラ (B) | | | 01 |

*: New Parts

RANK: Japan only

DSP

| REF NO. | PART NO. | DESCRIPTION | | 部 品 名 | REMARKS | QTY | RANK |
|---------|----------|----------------------------|-------------------|-----------------|-----------------|-----|------|
| CM73 | US035100 | Ceramic Capacitor-B (chip) | 0.1uF 16V K | チップセラ (B) | | | 01 |
| CM74 | US064100 | Ceramic Capacitor-B (chip) | 0.01uF 50V K | チップセラ (B) | | | 01 |
| CM75 | US062100 | Ceramic Capacitor-SL(chip) | 100pF 50V J | チップセラ (S L) | | | 01 |
| CM76 | US062150 | Ceramic Capacitor-SL(chip) | 150pF 50V J | チップセラ (S L) | | | 01 |
| CM79 | US064100 | Ceramic Capacitor-B (chip) | 0.01uF 50V K | チップセラ (B) | | | 01 |
| -81 | US064100 | Ceramic Capacitor-B (chip) | 0.01uF 50V K | チップセラ (B) | | | 01 |
| CM82 | US035100 | Ceramic Capacitor-B (chip) | 0.1uF 16V K | チップセラ (B) | | | 01 |
| -84 | US035100 | Ceramic Capacitor-B (chip) | 0.1uF 16V K | チップセラ (B) | | | 01 |
| CM85 | US035100 | Ceramic Capacitor-B (chip) | 0.1uF 16V K | チップセラ (B) | | | 01 |
| CNM02 | WD961800 | Pin Header | PHA202-1002-A04 | ピンヘッダー | | | |
| CNM03 | VB858300 | Connector Base Post | PH 4P SE | コネクタベースポスト | | | 01 |
| EMM01 | WA093400 | LC Filter | ZJSR5101-223TA-01 | L C フィルター E M I | | | 01 |
| -05 | WA093400 | LC Filter | ZJSR5101-223TA-01 | L C フィルター E M I | | | 01 |
| ICM03 | X0165A00 | IC | PST596DNR | I C | SYSTEM RESET | | 02 |
| ICM04 | X5219A00 | IC | AK5381VT-E2 | I C | ADC | | 05 |
| ICM05 | X3679A00 | IC | RH5RZ25CA-T1-F | I C | REGULATOR +2.5V | | 03 |
| ICM06 | X0638A00 | IC | UPC2933AT-E1-AZ | I C | REGULATOR +3.3V | | 03 |
| ICM07 | X6055A00 | IC | YMW767-VTZ | I C | CPU | | 10 |
| ICM08 | X3538A00 | IC | PCM1742KEG/2K | I C | DAC | | 05 |
| ICM09 | X6897A00 | IC | BA4560RF-E2 OPAMP | I C | OP AMP | | |
| ICM10 | X5922A00 | IC | MX23L8103TC-90G | I C | MASK ROM 8M | | 06 |
| ICM11 | X6897A00 | IC | BA4560RF-E2 OPAMP | I C | OP AMP | | |
| LM03 | VY657200 | Chip Inductance | 600 BK1608HM601 | チップインダクタ | | | 01 |
| LM04 | VY657200 | Chip Inductance | 600 BK1608HM601 | チップインダクタ | | | 01 |
| QM01 | VV655400 | Digital Transistor | DTC114EKA | デジタルトランジスタ | | | 01 |
| QM02 | VV655000 | Digital Transistor | DTA114EKA | デジタルトランジスタ | | | 01 |
| QM04 | VD303700 | Transistor | 2SC3326 A,B TE85R | トランジスタ | | | 01 |
| QM05 | VD303700 | Transistor | 2SC3326 A,B TE85R | トランジスタ | | | 01 |
| RM01 | RD357100 | Carbon Resistor (chip) | 10K 1/16W J | チップ抵抗 | | | 01 |
| RM03 | RD356100 | Carbon Resistor (chip) | 1.0K 1/16W J | チップ抵抗 | | | 01 |
| RM04 | RD355100 | Carbon Resistor (chip) | 100 1/16W J | チップ抵抗 | | | 01 |
| RM05 | RD356100 | Carbon Resistor (chip) | 1.0K 1/16W J | チップ抵抗 | | | 01 |
| -08 | RD356100 | Carbon Resistor (chip) | 1.0K 1/16W J | チップ抵抗 | | | 01 |
| RM13 | RD357100 | Carbon Resistor (chip) | 10K 1/16W J | チップ抵抗 | | | 01 |
| RM14 | RD355100 | Carbon Resistor (chip) | 100 1/16W J | チップ抵抗 | | | 01 |
| RM17 | RD357100 | Carbon Resistor (chip) | 10K 1/16W J | チップ抵抗 | | | 01 |
| -20 | RD357100 | Carbon Resistor (chip) | 10K 1/16W J | チップ抵抗 | | | 01 |
| RM21 | RD356470 | Carbon Resistor (chip) | 4.7K 1/16W J | チップ抵抗 | | | 01 |
| RM22 | RD354470 | Carbon Resistor (chip) | 47 1/16W J | チップ抵抗 | | | 01 |
| RM23 | RD355470 | Carbon Resistor (chip) | 470 1/16W J | チップ抵抗 | | | 01 |
| RM24 | RD356100 | Carbon Resistor (chip) | 1.0K 1/16W J | チップ抵抗 | | | 01 |
| RM25 | RD358220 | Carbon Resistor (chip) | 220K 1/16W J | チップ抵抗 | | | 01 |
| RM28 | RD356560 | Carbon Resistor (chip) | 5.6K 1/16W J | チップ抵抗 | | | 01 |
| RM33 | RD354470 | Carbon Resistor (chip) | 47 1/16W J | チップ抵抗 | | | 01 |
| -36 | RD354470 | Carbon Resistor (chip) | 47 1/16W J | チップ抵抗 | | | 01 |
| RM37 | RD356100 | Carbon Resistor (chip) | 1.0K 1/16W J | チップ抵抗 | | | 01 |
| RM38 | RD356560 | Carbon Resistor (chip) | 5.6K 1/16W J | チップ抵抗 | | | 01 |
| RM39 | RD356560 | Carbon Resistor (chip) | 5.6K 1/16W J | チップ抵抗 | | | 01 |
| RM40 | RD356330 | Carbon Resistor (chip) | 3.3K 1/16W J | チップ抵抗 | | | 01 |
| RM41 | RD356330 | Carbon Resistor (chip) | 3.3K 1/16W J | チップ抵抗 | | | 01 |
| RM42 | RD357360 | Carbon Resistor (chip) | 36K 1/16W J | チップ抵抗 | | | 01 |
| RM43 | RD357360 | Carbon Resistor (chip) | 36K 1/16W J | チップ抵抗 | | | 01 |
| RM60 | RD357100 | Carbon Resistor (chip) | 10K 1/16W J | チップ抵抗 | | | 01 |
| RM61 | RD357100 | Carbon Resistor (chip) | 10K 1/16W J | チップ抵抗 | | | 01 |
| RM62 | RD356100 | Carbon Resistor (chip) | 1.0K 1/16W J | チップ抵抗 | | | 01 |
| RM63 | RD356100 | Carbon Resistor (chip) | 1.0K 1/16W J | チップ抵抗 | | | 01 |
| RM64 | RD358100 | Carbon Resistor (chip) | 100K 1/16W J | チップ抵抗 | | | 01 |
| RM65 | RD358100 | Carbon Resistor (chip) | 100K 1/16W J | チップ抵抗 | | | 01 |
| RM80 | RD357100 | Carbon Resistor (chip) | 10K 1/16W J | チップ抵抗 | | | 01 |
| RM81 | RD356100 | Carbon Resistor (chip) | 1.0K 1/16W J | チップ抵抗 | | | 01 |
| RM82 | RD357360 | Carbon Resistor (chip) | 36K 1/16W J | チップ抵抗 | | | 01 |
| RM83 | RD356560 | Carbon Resistor (chip) | 5.6K 1/16W J | チップ抵抗 | | | 01 |
| RM84 | RF357360 | Carbon Resistor (chip) | 36K 1/16W D | チップ抵抗 | | | 01 |
| RM85 | RF357220 | Carbon Resistor (chip) | 22K 1/16W D | チップ抵抗 | | | 01 |
| RM86 | RD357100 | Carbon Resistor (chip) | 10K 1/16W J | チップ抵抗 | | | 01 |
| RM88 | RD357100 | Carbon Resistor (chip) | 10K 1/16W J | チップ抵抗 | | | 01 |
| -92 | RD357100 | Carbon Resistor (chip) | 10K 1/16W J | チップ抵抗 | | | 01 |
| RMA2 | RD357100 | Carbon Resistor (chip) | 10K 1/16W J | チップ抵抗 | | | 01 |
| RMA3 | RD357100 | Carbon Resistor (chip) | 10K 1/16W J | チップ抵抗 | | | 01 |
| XM01 | WA321100 | Ceramic Resonator | 16.9344MHz | セラミック振動子 | | | 02 |

*: New Parts

RANK: Japan only

IN6

| REF NO. | PART NO. | DESCRIPTION | | 部 品 名 | REMARKS | QTY | RANK |
|---------|----------|----------------------------|---------------|-------------------|-----------|-----|------|
| * | WF533000 | Circuit Board | IN6 | I N 6 シ ー ト | (X6835C0) | | |
| | WE877900 | Bind Head Tapping Screw-S | 3x6 MFZN2W3 | S タ イ ト + B I N D | | 7 | 01 |
| | WD939600 | Hexagonal Spacer | L=16 | 6 角 ス ペ ー サ ー M 3 | | 24 | |
| * | WF765800 | Spacer LED3 | | ス ペ ー サ L E D 3 | | | |
| | -- | Jumper Wire | 0.55 TIN | ジ ャ ン パ ー 線 | (VA07890) | | |
| C101 | UA654390 | Mylar Capacitor | 0.039uF 50V J | マ イ ラ ー コ ン | | | 01 |
| C102 | UA652820 | Mylar Capacitor | 820pF 50V J | マ イ ラ ー コ ン | | | 01 |
| C103 | US061330 | Ceramic Capacitor-CH(chip) | 33pF 50V J | チ ッ プ セ ラ (C H) | | | 01 |
| C104 | US062100 | Ceramic Capacitor-SL(chip) | 100pF 50V J | チ ッ プ セ ラ (S L) | | | 01 |
| C105 | UA653390 | Mylar Capacitor | 3900pF 50V J | マ イ ラ ー コ ン | | | 01 |
| C106 | US062100 | Ceramic Capacitor-SL(chip) | 100pF 50V J | チ ッ プ セ ラ (S L) | | | 01 |
| C107 | US061470 | Ceramic Capacitor-CH(chip) | 47pF 50V J | チ ッ プ セ ラ (C H) | | | 01 |
| C108 | UA654100 | Mylar Capacitor | 0.01uF 50V J | マ イ ラ ー コ ン | | | 01 |
| C109 | UR857470 | Electrolytic Cap. | 47uF 35V | ケ ミ コ ン | | | 01 |
| -111 | UR857470 | Electrolytic Cap. | 47uF 35V | ケ ミ コ ン | | | 01 |
| C112 | UR866470 | Electrolytic Cap. | 4.7uF 50V | ケ ミ コ ン | | | 01 |
| C113 | UR866220 | Electrolytic Cap. | 2.2uF 50V | ケ ミ コ ン | | | 01 |
| C114 | UR867220 | Electrolytic Cap. | 22uF 50V | ケ ミ コ ン | | | 01 |
| C115 | UR867100 | Electrolytic Cap. | 10uF 50V | ケ ミ コ ン | | | 01 |
| C116 | US062100 | Ceramic Capacitor-SL(chip) | 100pF 50V J | チ ッ プ セ ラ (S L) | | | 01 |
| -118 | US062100 | Ceramic Capacitor-SL(chip) | 100pF 50V J | チ ッ プ セ ラ (S L) | | | 01 |
| C119 | UR857470 | Electrolytic Cap. | 47uF 35V | ケ ミ コ ン | | | 01 |
| C120 | UR867100 | Electrolytic Cap. | 10uF 50V | ケ ミ コ ン | | | 01 |
| C121 | US062100 | Ceramic Capacitor-SL(chip) | 100pF 50V J | チ ッ プ セ ラ (S L) | | | 01 |
| C122 | US062100 | Ceramic Capacitor-SL(chip) | 100pF 50V J | チ ッ プ セ ラ (S L) | | | 01 |
| C123 | US061470 | Ceramic Capacitor-CH(chip) | 47pF 50V J | チ ッ プ セ ラ (C H) | | | 01 |
| C124 | UR857470 | Electrolytic Cap. | 47uF 35V | ケ ミ コ ン | | | 01 |
| C125 | US063100 | Ceramic Capacitor-B (chip) | 1000pF 50V K | チ ッ プ セ ラ (B) | | | 01 |
| C126 | US064100 | Ceramic Capacitor-B (chip) | 0.01uF 50V K | チ ッ プ セ ラ (B) | | | 01 |
| -135 | US064100 | Ceramic Capacitor-B (chip) | 0.01uF 50V K | チ ッ プ セ ラ (B) | | | 01 |
| C201 | UA654390 | Mylar Capacitor | 0.039uF 50V J | マ イ ラ ー コ ン | | | 01 |
| C202 | UA652820 | Mylar Capacitor | 820pF 50V J | マ イ ラ ー コ ン | | | 01 |
| C203 | US061330 | Ceramic Capacitor-CH(chip) | 33pF 50V J | チ ッ プ セ ラ (C H) | | | 01 |
| C204 | US062100 | Ceramic Capacitor-SL(chip) | 100pF 50V J | チ ッ プ セ ラ (S L) | | | 01 |
| C205 | UA653390 | Mylar Capacitor | 3900pF 50V J | マ イ ラ ー コ ン | | | 01 |
| C206 | US062100 | Ceramic Capacitor-SL(chip) | 100pF 50V J | チ ッ プ セ ラ (S L) | | | 01 |
| C207 | US061470 | Ceramic Capacitor-CH(chip) | 47pF 50V J | チ ッ プ セ ラ (C H) | | | 01 |
| C208 | UA654100 | Mylar Capacitor | 0.01uF 50V J | マ イ ラ ー コ ン | | | 01 |
| C209 | UR857470 | Electrolytic Cap. | 47uF 35V | ケ ミ コ ン | | | 01 |
| -211 | UR857470 | Electrolytic Cap. | 47uF 35V | ケ ミ コ ン | | | 01 |
| C212 | UR866470 | Electrolytic Cap. | 4.7uF 50V | ケ ミ コ ン | | | 01 |
| C213 | UR866220 | Electrolytic Cap. | 2.2uF 50V | ケ ミ コ ン | | | 01 |
| C214 | UR867220 | Electrolytic Cap. | 22uF 50V | ケ ミ コ ン | | | 01 |
| C215 | UR867100 | Electrolytic Cap. | 10uF 50V | ケ ミ コ ン | | | 01 |
| C216 | US062100 | Ceramic Capacitor-SL(chip) | 100pF 50V J | チ ッ プ セ ラ (S L) | | | 01 |
| -218 | US062100 | Ceramic Capacitor-SL(chip) | 100pF 50V J | チ ッ プ セ ラ (S L) | | | 01 |
| C219 | UR857470 | Electrolytic Cap. | 47uF 35V | ケ ミ コ ン | | | 01 |
| C220 | UR867100 | Electrolytic Cap. | 10uF 50V | ケ ミ コ ン | | | 01 |
| C221 | US062100 | Ceramic Capacitor-SL(chip) | 100pF 50V J | チ ッ プ セ ラ (S L) | | | 01 |
| C222 | US062100 | Ceramic Capacitor-SL(chip) | 100pF 50V J | チ ッ プ セ ラ (S L) | | | 01 |
| C223 | US061470 | Ceramic Capacitor-CH(chip) | 47pF 50V J | チ ッ プ セ ラ (C H) | | | 01 |
| C224 | UR857470 | Electrolytic Cap. | 47uF 35V | ケ ミ コ ン | | | 01 |
| C225 | US064100 | Ceramic Capacitor-B (chip) | 0.01uF 50V K | チ ッ プ セ ラ (B) | | | 01 |
| C226 | US064100 | Ceramic Capacitor-B (chip) | 0.01uF 50V K | チ ッ プ セ ラ (B) | | | 01 |
| C301 | UA654390 | Mylar Capacitor | 0.039uF 50V J | マ イ ラ ー コ ン | | | 01 |
| C302 | UA652820 | Mylar Capacitor | 820pF 50V J | マ イ ラ ー コ ン | | | 01 |
| C303 | US061330 | Ceramic Capacitor-CH(chip) | 33pF 50V J | チ ッ プ セ ラ (C H) | | | 01 |
| C304 | US062100 | Ceramic Capacitor-SL(chip) | 100pF 50V J | チ ッ プ セ ラ (S L) | | | 01 |
| C305 | UA653390 | Mylar Capacitor | 3900pF 50V J | マ イ ラ ー コ ン | | | 01 |
| C306 | US062100 | Ceramic Capacitor-SL(chip) | 100pF 50V J | チ ッ プ セ ラ (S L) | | | 01 |
| C307 | US061470 | Ceramic Capacitor-CH(chip) | 47pF 50V J | チ ッ プ セ ラ (C H) | | | 01 |
| C308 | UA654100 | Mylar Capacitor | 0.01uF 50V J | マ イ ラ ー コ ン | | | 01 |
| C309 | UR857470 | Electrolytic Cap. | 47uF 35V | ケ ミ コ ン | | | 01 |
| -311 | UR857470 | Electrolytic Cap. | 47uF 35V | ケ ミ コ ン | | | 01 |
| C312 | UR866470 | Electrolytic Cap. | 4.7uF 50V | ケ ミ コ ン | | | 01 |
| C313 | UR866220 | Electrolytic Cap. | 2.2uF 50V | ケ ミ コ ン | | | 01 |
| C314 | UR867220 | Electrolytic Cap. | 22uF 50V | ケ ミ コ ン | | | 01 |
| C315 | UR867100 | Electrolytic Cap. | 10uF 50V | ケ ミ コ ン | | | 01 |
| C316 | US062100 | Ceramic Capacitor-SL(chip) | 100pF 50V J | チ ッ プ セ ラ (S L) | | | 01 |

*: New Parts

RANK: Japan only

IN6

| REF NO. | PART NO. | DESCRIPTION | | 部 品 名 | REMARKS | QTY | RANK |
|---------|----------|----------------------------|---------------|---------------|---------|-----|------|
| -318 | US062100 | Ceramic Capacitor-SL(chip) | 100pF 50V J | チップセラ (S L) | | | 01 |
| C319 | UR857470 | Electrolytic Cap. | 47uF 35V | ケ ミ コ ン | | | 01 |
| C320 | UR867100 | Electrolytic Cap. | 10uF 50V | ケ ミ コ ン | | | 01 |
| C321 | US062100 | Ceramic Capacitor-SL(chip) | 100pF 50V J | チップセラ (S L) | | | 01 |
| C322 | US062100 | Ceramic Capacitor-SL(chip) | 100pF 50V J | チップセラ (S L) | | | 01 |
| C323 | US061470 | Ceramic Capacitor-CH(chip) | 47pF 50V J | チップセラ (C H) | | | 01 |
| C324 | UR857470 | Electrolytic Cap. | 47uF 35V | ケ ミ コ ン | | | 01 |
| C325 | US063100 | Ceramic Capacitor-B (chip) | 1000pF 50V K | チップセラ (B) | | | 01 |
| C326 | US064100 | Ceramic Capacitor-B (chip) | 0.01uF 50V K | チップセラ (B) | | | 01 |
| -335 | US064100 | Ceramic Capacitor-B (chip) | 0.01uF 50V K | チップセラ (B) | | | 01 |
| C401 | UA654390 | Mylar Capacitor | 0.039uF 50V J | マイラ - コ ン | | | 01 |
| C402 | UA652820 | Mylar Capacitor | 820pF 50V J | マイラ - コ ン | | | 01 |
| C403 | US061330 | Ceramic Capacitor-CH(chip) | 33pF 50V J | チップセラ (C H) | | | 01 |
| C404 | US062100 | Ceramic Capacitor-SL(chip) | 100pF 50V J | チップセラ (S L) | | | 01 |
| C405 | UA653390 | Mylar Capacitor | 3900pF 50V J | マイラ - コ ン | | | 01 |
| C406 | US062100 | Ceramic Capacitor-SL(chip) | 100pF 50V J | チップセラ (S L) | | | 01 |
| C407 | US061470 | Ceramic Capacitor-CH(chip) | 47pF 50V J | チップセラ (C H) | | | 01 |
| C408 | UA654100 | Mylar Capacitor | 0.01uF 50V J | マイラ - コ ン | | | 01 |
| C409 | UR857470 | Electrolytic Cap. | 47uF 35V | ケ ミ コ ン | | | 01 |
| -411 | UR857470 | Electrolytic Cap. | 47uF 35V | ケ ミ コ ン | | | 01 |
| C412 | UR866470 | Electrolytic Cap. | 4.7uF 50V | ケ ミ コ ン | | | 01 |
| C413 | UR866220 | Electrolytic Cap. | 2.2uF 50V | ケ ミ コ ン | | | 01 |
| C414 | UR867220 | Electrolytic Cap. | 22uF 50V | ケ ミ コ ン | | | 01 |
| C415 | UR867100 | Electrolytic Cap. | 10uF 50V | ケ ミ コ ン | | | 01 |
| C416 | US062100 | Ceramic Capacitor-SL(chip) | 100pF 50V J | チップセラ (S L) | | | 01 |
| -418 | US062100 | Ceramic Capacitor-SL(chip) | 100pF 50V J | チップセラ (S L) | | | 01 |
| C419 | UR857470 | Electrolytic Cap. | 47uF 35V | ケ ミ コ ン | | | 01 |
| C420 | UR867100 | Electrolytic Cap. | 10uF 50V | ケ ミ コ ン | | | 01 |
| C421 | US062100 | Ceramic Capacitor-SL(chip) | 100pF 50V J | チップセラ (S L) | | | 01 |
| C422 | US062100 | Ceramic Capacitor-SL(chip) | 100pF 50V J | チップセラ (S L) | | | 01 |
| C423 | US061470 | Ceramic Capacitor-CH(chip) | 47pF 50V J | チップセラ (C H) | | | 01 |
| C424 | UR857470 | Electrolytic Cap. | 47uF 35V | ケ ミ コ ン | | | 01 |
| C425 | US064100 | Ceramic Capacitor-B (chip) | 0.01uF 50V K | チップセラ (B) | | | 01 |
| C426 | US064100 | Ceramic Capacitor-B (chip) | 0.01uF 50V K | チップセラ (B) | | | 01 |
| C501 | UA654390 | Mylar Capacitor | 0.039uF 50V J | マイラ - コ ン | | | 01 |
| C502 | UA652820 | Mylar Capacitor | 820pF 50V J | マイラ - コ ン | | | 01 |
| C503 | US061330 | Ceramic Capacitor-CH(chip) | 33pF 50V J | チップセラ (C H) | | | 01 |
| C504 | US062100 | Ceramic Capacitor-SL(chip) | 100pF 50V J | チップセラ (S L) | | | 01 |
| C505 | UA653390 | Mylar Capacitor | 3900pF 50V J | マイラ - コ ン | | | 01 |
| C506 | US062100 | Ceramic Capacitor-SL(chip) | 100pF 50V J | チップセラ (S L) | | | 01 |
| C507 | US061470 | Ceramic Capacitor-CH(chip) | 47pF 50V J | チップセラ (C H) | | | 01 |
| C508 | UA654100 | Mylar Capacitor | 0.01uF 50V J | マイラ - コ ン | | | 01 |
| C509 | UR857470 | Electrolytic Cap. | 47uF 35V | ケ ミ コ ン | | | 01 |
| -511 | UR857470 | Electrolytic Cap. | 47uF 35V | ケ ミ コ ン | | | 01 |
| C512 | UR866470 | Electrolytic Cap. | 4.7uF 50V | ケ ミ コ ン | | | 01 |
| C513 | UR866220 | Electrolytic Cap. | 2.2uF 50V | ケ ミ コ ン | | | 01 |
| C514 | UR867220 | Electrolytic Cap. | 22uF 50V | ケ ミ コ ン | | | 01 |
| C515 | UR867100 | Electrolytic Cap. | 10uF 50V | ケ ミ コ ン | | | 01 |
| C516 | US062100 | Ceramic Capacitor-SL(chip) | 100pF 50V J | チップセラ (S L) | | | 01 |
| -518 | US062100 | Ceramic Capacitor-SL(chip) | 100pF 50V J | チップセラ (S L) | | | 01 |
| C519 | UR857470 | Electrolytic Cap. | 47uF 35V | ケ ミ コ ン | | | 01 |
| C520 | UR867100 | Electrolytic Cap. | 10uF 50V | ケ ミ コ ン | | | 01 |
| C521 | US062100 | Ceramic Capacitor-SL(chip) | 100pF 50V J | チップセラ (S L) | | | 01 |
| C522 | US062100 | Ceramic Capacitor-SL(chip) | 100pF 50V J | チップセラ (S L) | | | 01 |
| C523 | US061470 | Ceramic Capacitor-CH(chip) | 47pF 50V J | チップセラ (C H) | | | 01 |
| C524 | UR857470 | Electrolytic Cap. | 47uF 35V | ケ ミ コ ン | | | 01 |
| C525 | US063100 | Ceramic Capacitor-B (chip) | 1000pF 50V K | チップセラ (B) | | | 01 |
| C526 | US064100 | Ceramic Capacitor-B (chip) | 0.01uF 50V K | チップセラ (B) | | | 01 |
| -535 | US064100 | Ceramic Capacitor-B (chip) | 0.01uF 50V K | チップセラ (B) | | | 01 |
| C601 | UA654390 | Mylar Capacitor | 0.039uF 50V J | マイラ - コ ン | | | 01 |
| C602 | UA652820 | Mylar Capacitor | 820pF 50V J | マイラ - コ ン | | | 01 |
| C603 | US061330 | Ceramic Capacitor-CH(chip) | 33pF 50V J | チップセラ (C H) | | | 01 |
| C604 | US062100 | Ceramic Capacitor-SL(chip) | 100pF 50V J | チップセラ (S L) | | | 01 |
| C605 | UA653390 | Mylar Capacitor | 3900pF 50V J | マイラ - コ ン | | | 01 |
| C606 | US062100 | Ceramic Capacitor-SL(chip) | 100pF 50V J | チップセラ (S L) | | | 01 |
| C607 | US061470 | Ceramic Capacitor-CH(chip) | 47pF 50V J | チップセラ (C H) | | | 01 |
| C608 | UA654100 | Mylar Capacitor | 0.01uF 50V J | マイラ - コ ン | | | 01 |
| C609 | UR857470 | Electrolytic Cap. | 47uF 35V | ケ ミ コ ン | | | 01 |
| -611 | UR857470 | Electrolytic Cap. | 47uF 35V | ケ ミ コ ン | | | 01 |
| C612 | UR866470 | Electrolytic Cap. | 4.7uF 50V | ケ ミ コ ン | | | 01 |

*: New Parts

RANK: Japan only

IN6

| REF NO. | PART NO. | DESCRIPTION | 部 品 名 | REMARKS | QTY | RANK |
|---------|----------|----------------------------|-------------------|-------------------|-------------|------|
| C613 | UR866220 | Electrolytic Cap. | 2.2uF 50V | ケ ミ コ ン | | 01 |
| C614 | UR867220 | Electrolytic Cap. | 22uF 50V | ケ ミ コ ン | | 01 |
| C615 | UR867100 | Electrolytic Cap. | 10uF 50V | ケ ミ コ ン | | 01 |
| C616 | US062100 | Ceramic Capacitor-SL(chip) | 100pF 50V J | チ ッ プ セ ラ (S L) | | 01 |
| -618 | US062100 | Ceramic Capacitor-SL(chip) | 100pF 50V J | チ ッ プ セ ラ (S L) | | 01 |
| C619 | UR857470 | Electrolytic Cap. | 47uF 35V | ゲ ミ コ ン | | 01 |
| C620 | UR867100 | Electrolytic Cap. | 10uF 50V | ケ ミ コ ン | | 01 |
| C621 | US062100 | Ceramic Capacitor-SL(chip) | 100pF 50V J | チ ッ プ セ ラ (S L) | | 01 |
| C622 | US062100 | Ceramic Capacitor-SL(chip) | 100pF 50V J | チ ッ プ セ ラ (S L) | | 01 |
| C623 | US061470 | Ceramic Capacitor-CH(chip) | 47pF 50V J | チ ッ プ セ ラ (C H) | | 01 |
| C624 | UR857470 | Electrolytic Cap. | 47uF 35V | ゲ ミ コ ン | | 01 |
| C625 | US064100 | Ceramic Capacitor-B (chip) | 0.01uF 50V K | チ ッ プ セ ラ (B) | | 01 |
| C626 | US064100 | Ceramic Capacitor-B (chip) | 0.01uF 50V K | チ ッ プ セ ラ (B) | | 01 |
| CN101 | -- | Header | SHD106-0982-A12 | メ ス ヘ ッ ダ ー | (WF54540) | |
| -103 | -- | Header | SHD106-0982-A12 | メ ス ヘ ッ ダ ー | (WF54540) | |
| CN104 | -- | Header | GSHD206 18P TE | メ ス ヘ ッ ダ ー | (WG42390) | |
| D101 | VT332900 | Diode | 1SS355 TE-17 | ダ イ オ ー ド | | 01 |
| -105 | VT332900 | Diode | 1SS355 TE-17 | ダ イ オ ー ド | | 01 |
| D201 | VT332900 | Diode | 1SS355 TE-17 | ダ イ オ ー ド | | 01 |
| -205 | VT332900 | Diode | 1SS355 TE-17 | ダ イ オ ー ド | | 01 |
| D301 | VT332900 | Diode | 1SS355 TE-17 | ダ イ オ ー ド | | 01 |
| -305 | VT332900 | Diode | 1SS355 TE-17 | ダ イ オ ー ド | | 01 |
| D401 | VT332900 | Diode | 1SS355 TE-17 | ダ イ オ ー ド | | 01 |
| -405 | VT332900 | Diode | 1SS355 TE-17 | ダ イ オ ー ド | | 01 |
| D501 | VT332900 | Diode | 1SS355 TE-17 | ダ イ オ ー ド | | 01 |
| -505 | VT332900 | Diode | 1SS355 TE-17 | ダ イ オ ー ド | | 01 |
| D601 | VT332900 | Diode | 1SS355 TE-17 | ダ イ オ ー ド | | 01 |
| -605 | VT332900 | Diode | 1SS355 TE-17 | ダ イ オ ー ド | | 01 |
| IC101 | X3505A00 | IC | NJM2068M-D(TE2) | I C | OP AMP | 02 |
| * IC102 | X6896A00 | IC | BA4558RF-E2 OPAMP | I C | OP AMP | |
| * IC103 | X6896A00 | IC | BA4558RF-E2 OPAMP | I C | OP AMP | |
| IC104 | X3505A00 | IC | NJM2068M-D(TE2) | I C | OP AMP | 02 |
| IC105 | X3505A00 | IC | NJM2068M-D(TE2) | I C | OP AMP | 02 |
| IC201 | X3505A00 | IC | NJM2068M-D(TE2) | I C | OP AMP | 02 |
| IC301 | X3505A00 | IC | NJM2068M-D(TE2) | I C | OP AMP | 02 |
| * IC302 | X6896A00 | IC | BA4558RF-E2 OPAMP | I C | OP AMP | |
| * IC303 | X6896A00 | IC | BA4558RF-E2 OPAMP | I C | OP AMP | |
| IC304 | X3505A00 | IC | NJM2068M-D(TE2) | I C | OP AMP | 02 |
| IC305 | X3505A00 | IC | NJM2068M-D(TE2) | I C | OP AMP | 02 |
| IC401 | X3505A00 | IC | NJM2068M-D(TE2) | I C | OP AMP | 02 |
| IC501 | X3505A00 | IC | NJM2068M-D(TE2) | I C | OP AMP | 02 |
| * IC502 | X6896A00 | IC | BA4558RF-E2 OPAMP | I C | OP AMP | |
| * IC503 | X6896A00 | IC | BA4558RF-E2 OPAMP | I C | OP AMP | |
| IC504 | X3505A00 | IC | NJM2068M-D(TE2) | I C | OP AMP | 02 |
| IC505 | X3505A00 | IC | NJM2068M-D(TE2) | I C | OP AMP | 02 |
| IC601 | X3505A00 | IC | NJM2068M-D(TE2) | I C | OP AMP | 02 |
| LD101 | WA097600 | LED Yellow | 3-00 DIFFUSED | L E D | FCL(CH1) | 01 |
| LD102 | V9790400 | LED Red | HFR203PJ-3-00 | L E D | PEAK(CH1) | 01 |
| LD103 | WA097500 | LED Green | 3-00 DIFFUSED | L E D | SIGNAL(CH1) | 01 |
| LD104 | WA097600 | LED Yellow | 3-00 DIFFUSED | L E D | CH ON(CH1) | 01 |
| LD201 | WA097600 | LED Yellow | 3-00 DIFFUSED | L E D | FCL(CH2) | 01 |
| LD202 | V9790400 | LED Red | HFR203PJ-3-00 | L E D | PEAK(CH2) | 01 |
| LD203 | WA097500 | LED Green | 3-00 DIFFUSED | L E D | SIGNAL(CH2) | 01 |
| LD204 | WA097600 | LED Yellow | 3-00 DIFFUSED | L E D | CH ON(CH2) | 01 |
| LD301 | WA097600 | LED Yellow | 3-00 DIFFUSED | L E D | FCL(CH3) | 01 |
| LD302 | V9790400 | LED Red | HFR203PJ-3-00 | L E D | PEAK(CH3) | 01 |
| LD303 | WA097500 | LED Green | 3-00 DIFFUSED | L E D | SIGNAL(CH3) | 01 |
| LD304 | WA097600 | LED Yellow | 3-00 DIFFUSED | L E D | CH ON(CH3) | 01 |
| LD401 | WA097600 | LED Yellow | 3-00 DIFFUSED | L E D | FCL(CH4) | 01 |
| LD402 | V9790400 | LED Red | HFR203PJ-3-00 | L E D | PEAK(CH4) | 01 |
| LD403 | WA097500 | LED Green | 3-00 DIFFUSED | L E D | SIGNAL(CH4) | 01 |
| LD404 | WA097600 | LED Yellow | 3-00 DIFFUSED | L E D | CH ON(CH4) | 01 |
| LD501 | WA097600 | LED Yellow | 3-00 DIFFUSED | L E D | FCL(CH5) | 01 |
| LD502 | V9790400 | LED Red | HFR203PJ-3-00 | L E D | PEAK(CH5) | 01 |
| LD503 | WA097500 | LED Green | 3-00 DIFFUSED | L E D | SIGNAL(CH5) | 01 |
| LD504 | WA097600 | LED Yellow | 3-00 DIFFUSED | L E D | CH ON(CH5) | 01 |
| LD601 | WA097600 | LED Yellow | 3-00 DIFFUSED | L E D | FCL(CH6) | 01 |
| LD602 | V9790400 | LED Red | HFR203PJ-3-00 | L E D | PEAK(CH6) | 01 |
| LD603 | WA097500 | LED Green | 3-00 DIFFUSED | L E D | SIGNAL(CH6) | 01 |
| LD604 | WA097600 | LED Yellow | 3-00 DIFFUSED | L E D | CH ON(CH6) | 01 |

*: New Parts

RANK: Japan only

IN6

| REF NO. | PART NO. | DESCRIPTION | 部 品 名 | REMARKS | QTY | RANK |
|---------|----------|------------------------|--------------------|-------------|-----|------|
| Q101 | WC529400 | Transistor | KTC3875S-Y,GR-RTK/ | ト ラ ン ジ ス タ | | |
| Q102 | WC529500 | Transistor | KTA1504S-Y,GR-RTK/ | ト ラ ン ジ ス タ | | |
| Q103 | WC529400 | Transistor | KTC3875S-Y,GR-RTK/ | ト ラ ン ジ ス タ | | |
| Q201 | WC529400 | Transistor | KTC3875S-Y,GR-RTK/ | ト ラ ン ジ ス タ | | |
| Q202 | WC529500 | Transistor | KTA1504S-Y,GR-RTK/ | ト ラ ン ジ ス タ | | |
| Q203 | WC529400 | Transistor | KTC3875S-Y,GR-RTK/ | ト ラ ン ジ ス タ | | |
| Q301 | WC529400 | Transistor | KTC3875S-Y,GR-RTK/ | ト ラ ン ジ ス タ | | |
| Q302 | WC529500 | Transistor | KTA1504S-Y,GR-RTK/ | ト ラ ン ジ ス タ | | |
| Q303 | WC529400 | Transistor | KTC3875S-Y,GR-RTK/ | ト ラ ン ジ ス タ | | |
| Q401 | WC529400 | Transistor | KTC3875S-Y,GR-RTK/ | ト ラ ン ジ ス タ | | |
| Q402 | WC529500 | Transistor | KTA1504S-Y,GR-RTK/ | ト ラ ン ジ ス タ | | |
| Q403 | WC529400 | Transistor | KTC3875S-Y,GR-RTK/ | ト ラ ン ジ ス タ | | |
| Q404 | WC529400 | Transistor | KTC3875S-Y,GR-RTK/ | ト ラ ン ジ ス タ | | |
| Q501 | WC529400 | Transistor | KTC3875S-Y,GR-RTK/ | ト ラ ン ジ ス タ | | |
| Q502 | WC529500 | Transistor | KTA1504S-Y,GR-RTK/ | ト ラ ン ジ ス タ | | |
| Q503 | WC529400 | Transistor | KTC3875S-Y,GR-RTK/ | ト ラ ン ジ ス タ | | |
| Q601 | WC529400 | Transistor | KTC3875S-Y,GR-RTK/ | ト ラ ン ジ ス タ | | |
| Q602 | WC529500 | Transistor | KTA1504S-Y,GR-RTK/ | ト ラ ン ジ ス タ | | |
| Q603 | WC529400 | Transistor | KTC3875S-Y,GR-RTK/ | ト ラ ン ジ ス タ | | |
| R101 | RD357100 | Carbon Resistor (chip) | 10K 1/16W J | チ ッ プ 抵 抗 | | 01 |
| R102 | RD356430 | Carbon Resistor (chip) | 4.3K 1/16W J | チ ッ プ 抵 抗 | | 01 |
| R103 | RD357330 | Carbon Resistor (chip) | 33K 1/16W J | チ ッ プ 抵 抗 | | 01 |
| R104 | RD357100 | Carbon Resistor (chip) | 10K 1/16W J | チ ッ プ 抵 抗 | | 01 |
| R105 | RD356560 | Carbon Resistor (chip) | 5.6K 1/16W J | チ ッ プ 抵 抗 | | 01 |
| R106 | RD356820 | Carbon Resistor (chip) | 8.2K 1/16W J | チ ッ プ 抵 抗 | | 01 |
| R107 | RD356470 | Carbon Resistor (chip) | 4.7K 1/16W J | チ ッ プ 抵 抗 | | 01 |
| R108 | RD356820 | Carbon Resistor (chip) | 8.2K 1/16W J | チ ッ プ 抵 抗 | | 01 |
| R109 | RD356470 | Carbon Resistor (chip) | 4.7K 1/16W J | チ ッ プ 抵 抗 | | 01 |
| R110 | RD354100 | Carbon Resistor (chip) | 10 1/16W J | チ ッ プ 抵 抗 | | 01 |
| R111 | RD358220 | Carbon Resistor (chip) | 220K 1/16W J | チ ッ プ 抵 抗 | | 01 |
| R112 | RD357560 | Carbon Resistor (chip) | 56K 1/16W J | チ ッ プ 抵 抗 | | 01 |
| R113 | RD355470 | Carbon Resistor (chip) | 470 1/16W J | チ ッ プ 抵 抗 | | 01 |
| R114 | RD357330 | Carbon Resistor (chip) | 33K 1/16W J | チ ッ プ 抵 抗 | | 01 |
| R115 | RD358220 | Carbon Resistor (chip) | 220K 1/16W J | チ ッ プ 抵 抗 | | 01 |
| R116 | RD358470 | Carbon Resistor (chip) | 470K 1/16W J | チ ッ プ 抵 抗 | | 01 |
| R117 | RD358470 | Carbon Resistor (chip) | 470K 1/16W J | チ ッ プ 抵 抗 | | 01 |
| R118 | RD355220 | Carbon Resistor (chip) | 220 1/16W J | チ ッ プ 抵 抗 | | 01 |
| R119 | RD355820 | Carbon Resistor (chip) | 820 1/16W J | チ ッ プ 抵 抗 | | 01 |
| R120 | RD357120 | Carbon Resistor (chip) | 12K 1/16W J | チ ッ プ 抵 抗 | | 01 |
| R121 | RD356330 | Carbon Resistor (chip) | 3.3K 1/16W J | チ ッ プ 抵 抗 | | 01 |
| R122 | RD357330 | Carbon Resistor (chip) | 33K 1/16W J | チ ッ プ 抵 抗 | | 01 |
| R123 | RD358100 | Carbon Resistor (chip) | 100K 1/16W J | チ ッ プ 抵 抗 | | 01 |
| R124 | RD356100 | Carbon Resistor (chip) | 1.0K 1/16W J | チ ッ プ 抵 抗 | | 01 |
| R125 | RD156220 | Carbon Resistor (chip) | 2.2K 1/4W J | チ ッ プ 抵 抗 | | 01 |
| R126 | RD357680 | Carbon Resistor (chip) | 68K 1/16W J | チ ッ プ 抵 抗 | | 01 |
| R127 | RD356330 | Carbon Resistor (chip) | 3.3K 1/16W J | チ ッ プ 抵 抗 | | 01 |
| R128 | RD156180 | Carbon Resistor (chip) | 1.8K 1/4W J | チ ッ プ 抵 抗 | | 01 |
| R129 | RD356560 | Carbon Resistor (chip) | 5.6K 1/16W J | チ ッ プ 抵 抗 | | 01 |
| -132 | RD356560 | Carbon Resistor (chip) | 5.6K 1/16W J | チ ッ プ 抵 抗 | | 01 |
| R133 | RD358220 | Carbon Resistor (chip) | 220K 1/16W J | チ ッ プ 抵 抗 | | 01 |
| R134 | RD355220 | Carbon Resistor (chip) | 220 1/16W J | チ ッ プ 抵 抗 | | 01 |
| R135 | RD357360 | Carbon Resistor (chip) | 36K 1/16W J | チ ッ プ 抵 抗 | | 01 |
| R136 | RD355220 | Carbon Resistor (chip) | 220 1/16W J | チ ッ プ 抵 抗 | | 01 |
| R137 | RD356680 | Carbon Resistor (chip) | 6.8K 1/16W J | チ ッ プ 抵 抗 | | 01 |
| R138 | RD357150 | Carbon Resistor (chip) | 15K 1/16W J | チ ッ プ 抵 抗 | | 01 |
| R139 | RD354100 | Carbon Resistor (chip) | 10 1/16W J | チ ッ プ 抵 抗 | | 01 |
| R140 | RD357180 | Carbon Resistor (chip) | 18K 1/16W J | チ ッ プ 抵 抗 | | 01 |
| -146 | RD357180 | Carbon Resistor (chip) | 18K 1/16W J | チ ッ プ 抵 抗 | | 01 |
| R201 | RD357100 | Carbon Resistor (chip) | 10K 1/16W J | チ ッ プ 抵 抗 | | 01 |
| R202 | RD356430 | Carbon Resistor (chip) | 4.3K 1/16W J | チ ッ プ 抵 抗 | | 01 |
| R203 | RD357330 | Carbon Resistor (chip) | 33K 1/16W J | チ ッ プ 抵 抗 | | 01 |
| R204 | RD357100 | Carbon Resistor (chip) | 10K 1/16W J | チ ッ プ 抵 抗 | | 01 |
| R205 | RD356560 | Carbon Resistor (chip) | 5.6K 1/16W J | チ ッ プ 抵 抗 | | 01 |
| R206 | RD356820 | Carbon Resistor (chip) | 8.2K 1/16W J | チ ッ プ 抵 抗 | | 01 |
| R207 | RD356470 | Carbon Resistor (chip) | 4.7K 1/16W J | チ ッ プ 抵 抗 | | 01 |
| R208 | RD356820 | Carbon Resistor (chip) | 8.2K 1/16W J | チ ッ プ 抵 抗 | | 01 |
| R209 | RD356470 | Carbon Resistor (chip) | 4.7K 1/16W J | チ ッ プ 抵 抗 | | 01 |
| R210 | RD354100 | Carbon Resistor (chip) | 10 1/16W J | チ ッ プ 抵 抗 | | 01 |
| R211 | RD358220 | Carbon Resistor (chip) | 220K 1/16W J | チ ッ プ 抵 抗 | | 01 |
| R212 | RD357560 | Carbon Resistor (chip) | 56K 1/16W J | チ ッ プ 抵 抗 | | 01 |

*: New Parts

RANK: Japan only

IN6

| REF NO. | PART NO. | DESCRIPTION | | 部 | 品 | 名 | REMARKS | QTY | RANK |
|---------|----------|------------------------|--------------|---|---|---|---------|-----|------|
| R213 | RD355470 | Carbon Resistor (chip) | 470 1/16W J | チ | ッ | ブ | 抵抗抗 | | 01 |
| R214 | RD357330 | Carbon Resistor (chip) | 33K 1/16W J | チ | ッ | ブ | 抵抗抗 | | 01 |
| R215 | RD358220 | Carbon Resistor (chip) | 220K 1/16W J | チ | ッ | ブ | 抵抗抗 | | 01 |
| R216 | RD358470 | Carbon Resistor (chip) | 470K 1/16W J | チ | ッ | ブ | 抵抗抗 | | 01 |
| R217 | RD358470 | Carbon Resistor (chip) | 470K 1/16W J | チ | ッ | ブ | 抵抗抗 | | 01 |
| R218 | RD355220 | Carbon Resistor (chip) | 220 1/16W J | チ | ッ | ブ | 抵抗抗 | | 01 |
| R219 | RD355820 | Carbon Resistor (chip) | 820 1/16W J | チ | ッ | ブ | 抵抗抗 | | 01 |
| R220 | RD357120 | Carbon Resistor (chip) | 12K 1/16W J | チ | ッ | ブ | 抵抗抗 | | 01 |
| R221 | RD356330 | Carbon Resistor (chip) | 3.3K 1/16W J | チ | ッ | ブ | 抵抗抗 | | 01 |
| R222 | RD357330 | Carbon Resistor (chip) | 33K 1/16W J | チ | ッ | ブ | 抵抗抗 | | 01 |
| R223 | RD358100 | Carbon Resistor (chip) | 100K 1/16W J | チ | ッ | ブ | 抵抗抗 | | 01 |
| R224 | RD356100 | Carbon Resistor (chip) | 1.0K 1/16W J | チ | ッ | ブ | 抵抗抗 | | 01 |
| R225 | RD156220 | Carbon Resistor (chip) | 2.2K 1/4W J | チ | ッ | ブ | 抵抗抗 | | 01 |
| R226 | RD357680 | Carbon Resistor (chip) | 68K 1/16W J | チ | ッ | ブ | 抵抗抗 | | 01 |
| R227 | RD356330 | Carbon Resistor (chip) | 3.3K 1/16W J | チ | ッ | ブ | 抵抗抗 | | 01 |
| R228 | RD156180 | Carbon Resistor (chip) | 1.8K 1/4W J | チ | ッ | ブ | 抵抗抗 | | 01 |
| R229 | RD356560 | Carbon Resistor (chip) | 5.6K 1/16W J | チ | ッ | ブ | 抵抗抗 | | 01 |
| -232 | RD356560 | Carbon Resistor (chip) | 5.6K 1/16W J | チ | ッ | ブ | 抵抗抗 | | 01 |
| R233 | RD358220 | Carbon Resistor (chip) | 220K 1/16W J | チ | ッ | ブ | 抵抗抗 | | 01 |
| R234 | RD355220 | Carbon Resistor (chip) | 220 1/16W J | チ | ッ | ブ | 抵抗抗 | | 01 |
| R235 | RD357360 | Carbon Resistor (chip) | 36K 1/16W J | チ | ッ | ブ | 抵抗抗 | | 01 |
| R236 | RD355220 | Carbon Resistor (chip) | 220 1/16W J | チ | ッ | ブ | 抵抗抗 | | 01 |
| R237 | RD356680 | Carbon Resistor (chip) | 6.8K 1/16W J | チ | ッ | ブ | 抵抗抗 | | 01 |
| R238 | RD357150 | Carbon Resistor (chip) | 15K 1/16W J | チ | ッ | ブ | 抵抗抗 | | 01 |
| R239 | RD354100 | Carbon Resistor (chip) | 10 1/16W J | チ | ッ | ブ | 抵抗抗 | | 01 |
| R240 | RD357180 | Carbon Resistor (chip) | 18K 1/16W J | チ | ッ | ブ | 抵抗抗 | | 01 |
| -246 | RD357180 | Carbon Resistor (chip) | 18K 1/16W J | チ | ッ | ブ | 抵抗抗 | | 01 |
| R301 | RD357100 | Carbon Resistor (chip) | 10K 1/16W J | チ | ッ | ブ | 抵抗抗 | | 01 |
| R302 | RD356430 | Carbon Resistor (chip) | 4.3K 1/16W J | チ | ッ | ブ | 抵抗抗 | | 01 |
| R303 | RD357330 | Carbon Resistor (chip) | 33K 1/16W J | チ | ッ | ブ | 抵抗抗 | | 01 |
| R304 | RD357100 | Carbon Resistor (chip) | 10K 1/16W J | チ | ッ | ブ | 抵抗抗 | | 01 |
| R305 | RD356560 | Carbon Resistor (chip) | 5.6K 1/16W J | チ | ッ | ブ | 抵抗抗 | | 01 |
| R306 | RD356820 | Carbon Resistor (chip) | 8.2K 1/16W J | チ | ッ | ブ | 抵抗抗 | | 01 |
| R307 | RD356470 | Carbon Resistor (chip) | 4.7K 1/16W J | チ | ッ | ブ | 抵抗抗 | | 01 |
| R308 | RD356820 | Carbon Resistor (chip) | 8.2K 1/16W J | チ | ッ | ブ | 抵抗抗 | | 01 |
| R309 | RD356470 | Carbon Resistor (chip) | 4.7K 1/16W J | チ | ッ | ブ | 抵抗抗 | | 01 |
| R310 | RD354100 | Carbon Resistor (chip) | 10 1/16W J | チ | ッ | ブ | 抵抗抗 | | 01 |
| R311 | RD358220 | Carbon Resistor (chip) | 220K 1/16W J | チ | ッ | ブ | 抵抗抗 | | 01 |
| R312 | RD357560 | Carbon Resistor (chip) | 56K 1/16W J | チ | ッ | ブ | 抵抗抗 | | 01 |
| R313 | RD355470 | Carbon Resistor (chip) | 470 1/16W J | チ | ッ | ブ | 抵抗抗 | | 01 |
| R314 | RD357330 | Carbon Resistor (chip) | 33K 1/16W J | チ | ッ | ブ | 抵抗抗 | | 01 |
| R315 | RD358220 | Carbon Resistor (chip) | 220K 1/16W J | チ | ッ | ブ | 抵抗抗 | | 01 |
| R316 | RD358470 | Carbon Resistor (chip) | 470K 1/16W J | チ | ッ | ブ | 抵抗抗 | | 01 |
| R317 | RD358470 | Carbon Resistor (chip) | 470K 1/16W J | チ | ッ | ブ | 抵抗抗 | | 01 |
| R318 | RD355220 | Carbon Resistor (chip) | 220 1/16W J | チ | ッ | ブ | 抵抗抗 | | 01 |
| R319 | RD355820 | Carbon Resistor (chip) | 820 1/16W J | チ | ッ | ブ | 抵抗抗 | | 01 |
| R320 | RD357120 | Carbon Resistor (chip) | 12K 1/16W J | チ | ッ | ブ | 抵抗抗 | | 01 |
| R321 | RD356330 | Carbon Resistor (chip) | 3.3K 1/16W J | チ | ッ | ブ | 抵抗抗 | | 01 |
| R322 | RD357330 | Carbon Resistor (chip) | 33K 1/16W J | チ | ッ | ブ | 抵抗抗 | | 01 |
| R323 | RD358100 | Carbon Resistor (chip) | 100K 1/16W J | チ | ッ | ブ | 抵抗抗 | | 01 |
| R324 | RD356100 | Carbon Resistor (chip) | 1.0K 1/16W J | チ | ッ | ブ | 抵抗抗 | | 01 |
| R325 | RD156220 | Carbon Resistor (chip) | 2.2K 1/4W J | チ | ッ | ブ | 抵抗抗 | | 01 |
| R326 | RD357680 | Carbon Resistor (chip) | 68K 1/16W J | チ | ッ | ブ | 抵抗抗 | | 01 |
| R327 | RD356330 | Carbon Resistor (chip) | 3.3K 1/16W J | チ | ッ | ブ | 抵抗抗 | | 01 |
| R328 | RD156180 | Carbon Resistor (chip) | 1.8K 1/4W J | チ | ッ | ブ | 抵抗抗 | | 01 |
| R329 | RD356560 | Carbon Resistor (chip) | 5.6K 1/16W J | チ | ッ | ブ | 抵抗抗 | | 01 |
| -332 | RD356560 | Carbon Resistor (chip) | 5.6K 1/16W J | チ | ッ | ブ | 抵抗抗 | | 01 |
| R333 | RD358220 | Carbon Resistor (chip) | 220K 1/16W J | チ | ッ | ブ | 抵抗抗 | | 01 |
| R334 | RD355220 | Carbon Resistor (chip) | 220 1/16W J | チ | ッ | ブ | 抵抗抗 | | 01 |
| R335 | RD357360 | Carbon Resistor (chip) | 36K 1/16W J | チ | ッ | ブ | 抵抗抗 | | 01 |
| R336 | RD355220 | Carbon Resistor (chip) | 220 1/16W J | チ | ッ | ブ | 抵抗抗 | | 01 |
| R337 | RD356680 | Carbon Resistor (chip) | 6.8K 1/16W J | チ | ッ | ブ | 抵抗抗 | | 01 |
| R338 | RD357150 | Carbon Resistor (chip) | 15K 1/16W J | チ | ッ | ブ | 抵抗抗 | | 01 |
| R339 | RD354100 | Carbon Resistor (chip) | 10 1/16W J | チ | ッ | ブ | 抵抗抗 | | 01 |
| R340 | RD357180 | Carbon Resistor (chip) | 18K 1/16W J | チ | ッ | ブ | 抵抗抗 | | 01 |
| -346 | RD357180 | Carbon Resistor (chip) | 18K 1/16W J | チ | ッ | ブ | 抵抗抗 | | 01 |
| R401 | RD357100 | Carbon Resistor (chip) | 10K 1/16W J | チ | ッ | ブ | 抵抗抗 | | 01 |
| R402 | RD356430 | Carbon Resistor (chip) | 4.3K 1/16W J | チ | ッ | ブ | 抵抗抗 | | 01 |
| R403 | RD357330 | Carbon Resistor (chip) | 33K 1/16W J | チ | ッ | ブ | 抵抗抗 | | 01 |
| R404 | RD357100 | Carbon Resistor (chip) | 10K 1/16W J | チ | ッ | ブ | 抵抗抗 | | 01 |

*: New Parts

RANK: Japan only

IN6

| REF NO. | PART NO. | DESCRIPTION | 部 | 品 | 名 | REMARKS | QTY | RANK |
|---------|----------|------------------------|------|-------|---|---------|-----|------|
| R405 | RD356560 | Carbon Resistor (chip) | 5.6K | 1/16W | J | | | 01 |
| R406 | RD356820 | Carbon Resistor (chip) | 8.2K | 1/16W | J | | | 01 |
| R407 | RD356470 | Carbon Resistor (chip) | 4.7K | 1/16W | J | | | 01 |
| R408 | RD356820 | Carbon Resistor (chip) | 8.2K | 1/16W | J | | | 01 |
| R409 | RD356470 | Carbon Resistor (chip) | 4.7K | 1/16W | J | | | 01 |
| R410 | RD354100 | Carbon Resistor (chip) | 10 | 1/16W | J | | | 01 |
| R411 | RD358220 | Carbon Resistor (chip) | 220K | 1/16W | J | | | 01 |
| R412 | RD357560 | Carbon Resistor (chip) | 56K | 1/16W | J | | | 01 |
| R413 | RD355470 | Carbon Resistor (chip) | 470 | 1/16W | J | | | 01 |
| R414 | RD357330 | Carbon Resistor (chip) | 33K | 1/16W | J | | | 01 |
| R415 | RD358220 | Carbon Resistor (chip) | 220K | 1/16W | J | | | 01 |
| R416 | RD358470 | Carbon Resistor (chip) | 470K | 1/16W | J | | | 01 |
| R417 | RD358470 | Carbon Resistor (chip) | 470K | 1/16W | J | | | 01 |
| R418 | RD355220 | Carbon Resistor (chip) | 220 | 1/16W | J | | | 01 |
| R419 | RD355820 | Carbon Resistor (chip) | 820 | 1/16W | J | | | 01 |
| R420 | RD357120 | Carbon Resistor (chip) | 12K | 1/16W | J | | | 01 |
| R421 | RD356330 | Carbon Resistor (chip) | 3.3K | 1/16W | J | | | 01 |
| R422 | RD357330 | Carbon Resistor (chip) | 33K | 1/16W | J | | | 01 |
| R423 | RD358100 | Carbon Resistor (chip) | 100K | 1/16W | J | | | 01 |
| R424 | RD356100 | Carbon Resistor (chip) | 1.0K | 1/16W | J | | | 01 |
| R425 | RD156220 | Carbon Resistor (chip) | 2.2K | 1/4W | J | | | 01 |
| R426 | RD357680 | Carbon Resistor (chip) | 68K | 1/16W | J | | | 01 |
| R427 | RD356330 | Carbon Resistor (chip) | 3.3K | 1/16W | J | | | 01 |
| R428 | RD156180 | Carbon Resistor (chip) | 1.8K | 1/4W | J | | | 01 |
| R429 | RD356560 | Carbon Resistor (chip) | 5.6K | 1/16W | J | | | 01 |
| -432 | RD356560 | Carbon Resistor (chip) | 5.6K | 1/16W | J | | | 01 |
| R433 | RD358220 | Carbon Resistor (chip) | 220K | 1/16W | J | | | 01 |
| R434 | RD355220 | Carbon Resistor (chip) | 220 | 1/16W | J | | | 01 |
| R435 | RD357360 | Carbon Resistor (chip) | 36K | 1/16W | J | | | 01 |
| R436 | RD355220 | Carbon Resistor (chip) | 220 | 1/16W | J | | | 01 |
| R437 | RD356680 | Carbon Resistor (chip) | 6.8K | 1/16W | J | | | 01 |
| R438 | RD357150 | Carbon Resistor (chip) | 15K | 1/16W | J | | | 01 |
| R439 | RD354100 | Carbon Resistor (chip) | 10 | 1/16W | J | | | 01 |
| R440 | RD357180 | Carbon Resistor (chip) | 18K | 1/16W | J | | | 01 |
| -446 | RD357180 | Carbon Resistor (chip) | 18K | 1/16W | J | | | 01 |
| R447 | RD357150 | Carbon Resistor (chip) | 15K | 1/16W | J | | | 01 |
| R448 | RD356150 | Carbon Resistor (chip) | 1.5K | 1/16W | J | | | 01 |
| R449 | RD155100 | Carbon Resistor (chip) | 100 | 1/4W | J | | | 01 |
| R501 | RD357100 | Carbon Resistor (chip) | 10K | 1/16W | J | | | 01 |
| R502 | RD356430 | Carbon Resistor (chip) | 4.3K | 1/16W | J | | | 01 |
| R503 | RD357330 | Carbon Resistor (chip) | 33K | 1/16W | J | | | 01 |
| R504 | RD357100 | Carbon Resistor (chip) | 10K | 1/16W | J | | | 01 |
| R505 | RD356560 | Carbon Resistor (chip) | 5.6K | 1/16W | J | | | 01 |
| R506 | RD356820 | Carbon Resistor (chip) | 8.2K | 1/16W | J | | | 01 |
| R507 | RD356470 | Carbon Resistor (chip) | 4.7K | 1/16W | J | | | 01 |
| R508 | RD356820 | Carbon Resistor (chip) | 8.2K | 1/16W | J | | | 01 |
| R509 | RD356470 | Carbon Resistor (chip) | 4.7K | 1/16W | J | | | 01 |
| R510 | RD354100 | Carbon Resistor (chip) | 10 | 1/16W | J | | | 01 |
| R511 | RD358220 | Carbon Resistor (chip) | 220K | 1/16W | J | | | 01 |
| R512 | RD357560 | Carbon Resistor (chip) | 56K | 1/16W | J | | | 01 |
| R513 | RD355470 | Carbon Resistor (chip) | 470 | 1/16W | J | | | 01 |
| R514 | RD357330 | Carbon Resistor (chip) | 33K | 1/16W | J | | | 01 |
| R515 | RD358220 | Carbon Resistor (chip) | 220K | 1/16W | J | | | 01 |
| R516 | RD358470 | Carbon Resistor (chip) | 470K | 1/16W | J | | | 01 |
| R517 | RD358470 | Carbon Resistor (chip) | 470K | 1/16W | J | | | 01 |
| R518 | RD355220 | Carbon Resistor (chip) | 220 | 1/16W | J | | | 01 |
| R519 | RD355820 | Carbon Resistor (chip) | 820 | 1/16W | J | | | 01 |
| R520 | RD357120 | Carbon Resistor (chip) | 12K | 1/16W | J | | | 01 |
| R521 | RD356330 | Carbon Resistor (chip) | 3.3K | 1/16W | J | | | 01 |
| R522 | RD357330 | Carbon Resistor (chip) | 33K | 1/16W | J | | | 01 |
| R523 | RD358100 | Carbon Resistor (chip) | 100K | 1/16W | J | | | 01 |
| R524 | RD356100 | Carbon Resistor (chip) | 1.0K | 1/16W | J | | | 01 |
| R525 | RD156220 | Carbon Resistor (chip) | 2.2K | 1/4W | J | | | 01 |
| R526 | RD357680 | Carbon Resistor (chip) | 68K | 1/16W | J | | | 01 |
| R527 | RD356330 | Carbon Resistor (chip) | 3.3K | 1/16W | J | | | 01 |
| R528 | RD156180 | Carbon Resistor (chip) | 1.8K | 1/4W | J | | | 01 |
| R529 | RD356560 | Carbon Resistor (chip) | 5.6K | 1/16W | J | | | 01 |
| -532 | RD356560 | Carbon Resistor (chip) | 5.6K | 1/16W | J | | | 01 |
| R533 | RD358220 | Carbon Resistor (chip) | 220K | 1/16W | J | | | 01 |
| R534 | RD355220 | Carbon Resistor (chip) | 220 | 1/16W | J | | | 01 |

*: New Parts

RANK: Japan only

IN6

| REF NO. | PART NO. | DESCRIPTION | 部 品 名 | REMARKS | QTY | RANK |
|---------|----------|--------------------------|------------------|---------------|---------------|------|
| R535 | RD357360 | Carbon Resistor (chip) | 36K 1/16W J | チ ッ プ 抵 抗 | | 01 |
| R536 | RD355220 | Carbon Resistor (chip) | 220 1/16W J | チ ッ プ 抵 抗 | | 01 |
| R537 | RD356680 | Carbon Resistor (chip) | 6.8K 1/16W J | チ ッ プ 抵 抗 | | 01 |
| R538 | RD357150 | Carbon Resistor (chip) | 15K 1/16W J | チ ッ プ 抵 抗 | | 01 |
| R539 | RD354100 | Carbon Resistor (chip) | 10 1/16W J | チ ッ プ 抵 抗 | | 01 |
| R540 | RD357180 | Carbon Resistor (chip) | 18K 1/16W J | チ ッ プ 抵 抗 | | 01 |
| -546 | RD357180 | Carbon Resistor (chip) | 18K 1/16W J | チ ッ プ 抵 抗 | | 01 |
| R547 | RD156270 | Carbon Resistor (chip) | 2.7K 1/4W J | チ ッ プ 抵 抗 | | 01 |
| R601 | RD357100 | Carbon Resistor (chip) | 10K 1/16W J | チ ッ プ 抵 抗 | | 01 |
| R602 | RD356430 | Carbon Resistor (chip) | 4.3K 1/16W J | チ ッ プ 抵 抗 | | 01 |
| R603 | RD357330 | Carbon Resistor (chip) | 33K 1/16W J | チ ッ プ 抵 抗 | | 01 |
| R604 | RD357100 | Carbon Resistor (chip) | 10K 1/16W J | チ ッ プ 抵 抗 | | 01 |
| R605 | RD356560 | Carbon Resistor (chip) | 5.6K 1/16W J | チ ッ プ 抵 抗 | | 01 |
| R606 | RD356820 | Carbon Resistor (chip) | 8.2K 1/16W J | チ ッ プ 抵 抗 | | 01 |
| R607 | RD356470 | Carbon Resistor (chip) | 4.7K 1/16W J | チ ッ プ 抵 抗 | | 01 |
| R608 | RD356820 | Carbon Resistor (chip) | 8.2K 1/16W J | チ ッ プ 抵 抗 | | 01 |
| R609 | RD356470 | Carbon Resistor (chip) | 4.7K 1/16W J | チ ッ プ 抵 抗 | | 01 |
| R610 | RD354100 | Carbon Resistor (chip) | 10 1/16W J | チ ッ プ 抵 抗 | | 01 |
| R611 | RD358220 | Carbon Resistor (chip) | 220K 1/16W J | チ ッ プ 抵 抗 | | 01 |
| R612 | RD357560 | Carbon Resistor (chip) | 56K 1/16W J | チ ッ プ 抵 抗 | | 01 |
| R613 | RD355470 | Carbon Resistor (chip) | 470 1/16W J | チ ッ プ 抵 抗 | | 01 |
| R614 | RD357330 | Carbon Resistor (chip) | 33K 1/16W J | チ ッ プ 抵 抗 | | 01 |
| R615 | RD358220 | Carbon Resistor (chip) | 220K 1/16W J | チ ッ プ 抵 抗 | | 01 |
| R616 | RD358470 | Carbon Resistor (chip) | 470K 1/16W J | チ ッ プ 抵 抗 | | 01 |
| R617 | RD358470 | Carbon Resistor (chip) | 470K 1/16W J | チ ッ プ 抵 抗 | | 01 |
| R618 | RD355220 | Carbon Resistor (chip) | 220 1/16W J | チ ッ プ 抵 抗 | | 01 |
| R619 | RD355820 | Carbon Resistor (chip) | 820 1/16W J | チ ッ プ 抵 抗 | | 01 |
| R620 | RD357120 | Carbon Resistor (chip) | 12K 1/16W J | チ ッ プ 抵 抗 | | 01 |
| R621 | RD356330 | Carbon Resistor (chip) | 3.3K 1/16W J | チ ッ プ 抵 抗 | | 01 |
| R622 | RD357330 | Carbon Resistor (chip) | 33K 1/16W J | チ ッ プ 抵 抗 | | 01 |
| R623 | RD358100 | Carbon Resistor (chip) | 100K 1/16W J | チ ッ プ 抵 抗 | | 01 |
| R624 | RD356100 | Carbon Resistor (chip) | 1.0K 1/16W J | チ ッ プ 抵 抗 | | 01 |
| R625 | RD156220 | Carbon Resistor (chip) | 2.2K 1/4W J | チ ッ プ 抵 抗 | | 01 |
| R626 | RD357680 | Carbon Resistor (chip) | 68K 1/16W J | チ ッ プ 抵 抗 | | 01 |
| R627 | RD356330 | Carbon Resistor (chip) | 3.3K 1/16W J | チ ッ プ 抵 抗 | | 01 |
| R628 | RD156180 | Carbon Resistor (chip) | 1.8K 1/4W J | チ ッ プ 抵 抗 | | 01 |
| R629 | RD356560 | Carbon Resistor (chip) | 5.6K 1/16W J | チ ッ プ 抵 抗 | | 01 |
| -632 | RD356560 | Carbon Resistor (chip) | 5.6K 1/16W J | チ ッ プ 抵 抗 | | 01 |
| R633 | RD358220 | Carbon Resistor (chip) | 220K 1/16W J | チ ッ プ 抵 抗 | | 01 |
| R634 | RD355220 | Carbon Resistor (chip) | 220 1/16W J | チ ッ プ 抵 抗 | | 01 |
| R635 | RD357360 | Carbon Resistor (chip) | 36K 1/16W J | チ ッ プ 抵 抗 | | 01 |
| R636 | RD355220 | Carbon Resistor (chip) | 220 1/16W J | チ ッ プ 抵 抗 | | 01 |
| R637 | RD356680 | Carbon Resistor (chip) | 6.8K 1/16W J | チ ッ プ 抵 抗 | | 01 |
| R638 | RD357150 | Carbon Resistor (chip) | 15K 1/16W J | チ ッ プ 抵 抗 | | 01 |
| R639 | RD354100 | Carbon Resistor (chip) | 10 1/16W J | チ ッ プ 抵 抗 | | 01 |
| R640 | RD357180 | Carbon Resistor (chip) | 18K 1/16W J | チ ッ プ 抵 抗 | | 01 |
| -646 | RD357180 | Carbon Resistor (chip) | 18K 1/16W J | チ ッ プ 抵 抗 | | 01 |
| R647 | RD156270 | Carbon Resistor (chip) | 2.7K 1/4W J | チ ッ プ 抵 抗 | | 01 |
| RJ001 | RD350000 | Carbon Resistor (chip) | 0 1/16W J | チ ッ プ 抵 抗 | | 01 |
| -011 | RD350000 | Carbon Resistor (chip) | 0 1/16W J | チ ッ プ 抵 抗 | | 01 |
| SW101 | V9683600 | Push Switch | PS-22E85L52 | ブ ッ シ ュ S W | CH ON(CH1) | 01 |
| SW102 | V9683600 | Push Switch | PS-22E85L52 | ブ ッ シ ュ S W | AUX2 PRE(CH1) | 01 |
| SW103 | V9683600 | Push Switch | PS-22E85L52 | ブ ッ シ ュ S W | PFL(CH1) | 01 |
| SW201 | V9683600 | Push Switch | PS-22E85L52 | ブ ッ シ ュ S W | CH ON(CH2) | 01 |
| SW202 | V9683600 | Push Switch | PS-22E85L52 | ブ ッ シ ュ S W | AUX2 PRE(CH2) | 01 |
| SW203 | V9683600 | Push Switch | PS-22E85L52 | ブ ッ シ ュ S W | PFL(CH2) | 01 |
| SW301 | V9683600 | Push Switch | PS-22E85L52 | ブ ッ シ ュ S W | CH ON(CH3) | 01 |
| SW302 | V9683600 | Push Switch | PS-22E85L52 | ブ ッ シ ュ S W | AUX2 PRE(CH3) | 01 |
| SW303 | V9683600 | Push Switch | PS-22E85L52 | ブ ッ シ ュ S W | PFL(CH3) | 01 |
| SW401 | V9683600 | Push Switch | PS-22E85L52 | ブ ッ シ ュ S W | CH ON(CH4) | 01 |
| SW402 | V9683600 | Push Switch | PS-22E85L52 | ブ ッ シ ュ S W | AUX2 PRE(CH4) | 01 |
| SW403 | V9683600 | Push Switch | PS-22E85L52 | ブ ッ シ ュ S W | PFL(CH4) | 01 |
| SW501 | V9683600 | Push Switch | PS-22E85L52 | ブ ッ シ ュ S W | CH ON(CH5) | 01 |
| SW502 | V9683600 | Push Switch | PS-22E85L52 | ブ ッ シ ュ S W | AUX2 PRE(CH5) | 01 |
| SW503 | V9683600 | Push Switch | PS-22E85L52 | ブ ッ シ ュ S W | PFL(CH5) | 01 |
| SW601 | V9683600 | Push Switch | PS-22E85L52 | ブ ッ シ ュ S W | CH ON(CH6) | 01 |
| SW602 | V9683600 | Push Switch | PS-22E85L52 | ブ ッ シ ュ S W | AUX2 PRE(CH6) | 01 |
| SW603 | V9683600 | Push Switch | PS-22E85L52 | ブ ッ シ ュ S W | PFL(CH6) | 01 |
| VR101 | V8264700 | Rotary Variable Resistor | B 50K XV09213YNP | ロ ー タ リ ー V R | LOW(CH1) | 03 |
| VR102 | V8264700 | Rotary Variable Resistor | B 50K XV09213YNP | ロ ー タ リ ー V R | HIGH(CH1) | 03 |

*: New Parts

RANK: Japan only

IN6 & INJK

| REF NO. | PART NO. | DESCRIPTION | 部 品 名 | REMARKS | QTY | RANK |
|---------|----------|----------------------------|--------------------|-----------------|-------------|------|
| VR103 | V9791300 | Rotary Variable Resistor | C 100K XV012313 | 2 連 ロータリ- V R | | 04 |
| VR104 | V8393300 | Rotary Variable Resistor | W 20K XV09213YNP | ロータリ- V R | MID-(CH1) | 03 |
| VR105 | WA507500 | Slide Variable Resistor | 1SY6008 | スライド V R | MID(CH1) | 04 |
| VR106 | V9886100 | Rotary Variable Resistor | XV012313Y 15A15C20 | 2 連 ロータリ- V R | FADER(CH1) | 04 |
| VR107 | V9791000 | Rotary Variable Resistor | B 20K XV09213YNP | ロータリ- V R | PAN(CH1) | 03 |
| VR108 | V9791000 | Rotary Variable Resistor | B 20K XV09213YNP | ロータリ- V R | AUX1(CH1) | 03 |
| VR109 | V9791000 | Rotary Variable Resistor | B 20K XV09213YNP | ロータリ- V R | AUX2(CH1) | 03 |
| VR201 | V8264700 | Rotary Variable Resistor | B 50K XV09213YNP | ロータリ- V R | EFFECT(CH1) | 03 |
| VR202 | V8264700 | Rotary Variable Resistor | B 50K XV09213YNP | ロータリ- V R | LOW(CH2) | 03 |
| VR203 | V9791300 | Rotary Variable Resistor | C 100K XV012313 | 2 連 ロータリ- V R | HIGH(CH2) | 03 |
| VR204 | V8393300 | Rotary Variable Resistor | W 20K XV09213YNP | ロータリ- V R | MID-(CH2) | 04 |
| VR205 | WA507500 | Slide Variable Resistor | 1SY6008 | スライド V R | MID(CH2) | 03 |
| VR206 | V9886100 | Rotary Variable Resistor | XV012313Y 15A15C20 | 2 連 ロータリ- V R | FADER(CH2) | 04 |
| VR207 | V9791000 | Rotary Variable Resistor | B 20K XV09213YNP | ロータリ- V R | PAN(CH2) | 04 |
| VR208 | V9791000 | Rotary Variable Resistor | B 20K XV09213YNP | ロータリ- V R | AUX1(CH2) | 03 |
| VR209 | V9791000 | Rotary Variable Resistor | B 20K XV09213YNP | ロータリ- V R | AUX2(CH2) | 03 |
| VR301 | V8264700 | Rotary Variable Resistor | B 50K XV09213YNP | ロータリ- V R | EFFECT(CH2) | 03 |
| VR302 | V8264700 | Rotary Variable Resistor | B 50K XV09213YNP | ロータリ- V R | LOW(CH2) | 03 |
| VR303 | V9791300 | Rotary Variable Resistor | C 100K XV012313 | 2 連 ロータリ- V R | HIGH(CH3) | 03 |
| VR304 | V8393300 | Rotary Variable Resistor | W 20K XV09213YNP | ロータリ- V R | MID-(CH3) | 04 |
| VR305 | WA507500 | Slide Variable Resistor | 1SY6008 | スライド V R | MID(CH3) | 03 |
| VR306 | V9886100 | Rotary Variable Resistor | XV012313Y 15A15C20 | 2 連 ロータリ- V R | FADER(CH3) | 04 |
| VR307 | V9791000 | Rotary Variable Resistor | B 20K XV09213YNP | ロータリ- V R | PAN(CH3) | 04 |
| VR308 | V9791000 | Rotary Variable Resistor | B 20K XV09213YNP | ロータリ- V R | AUX1(CH3) | 03 |
| VR309 | V9791000 | Rotary Variable Resistor | B 20K XV09213YNP | ロータリ- V R | AUX2(CH3) | 03 |
| VR401 | V8264700 | Rotary Variable Resistor | B 50K XV09213YNP | ロータリ- V R | EFFECT(CH3) | 03 |
| VR402 | V8264700 | Rotary Variable Resistor | B 50K XV09213YNP | ロータリ- V R | LOW(CH4) | 03 |
| VR403 | V9791300 | Rotary Variable Resistor | C 100K XV012313 | 2 連 ロータリ- V R | HIGH(CH4) | 03 |
| VR404 | V8393300 | Rotary Variable Resistor | W 20K XV09213YNP | ロータリ- V R | MID-(CH4) | 04 |
| VR405 | WA507500 | Slide Variable Resistor | 1SY6008 | スライド V R | MID(CH4) | 03 |
| VR406 | V9886100 | Rotary Variable Resistor | XV012313Y 15A15C20 | 2 連 ロータリ- V R | FADER(CH4) | 04 |
| VR407 | V9791000 | Rotary Variable Resistor | B 20K XV09213YNP | ロータリ- V R | PAN(CH4) | 04 |
| VR408 | V9791000 | Rotary Variable Resistor | B 20K XV09213YNP | ロータリ- V R | AUX1(CH4) | 03 |
| VR409 | V9791000 | Rotary Variable Resistor | B 20K XV09213YNP | ロータリ- V R | AUX2(CH4) | 03 |
| VR501 | V8264700 | Rotary Variable Resistor | B 50K XV09213YNP | ロータリ- V R | EFFECT(CH4) | 03 |
| VR502 | V8264700 | Rotary Variable Resistor | B 50K XV09213YNP | ロータリ- V R | LOW(CH5) | 03 |
| VR503 | V9791300 | Rotary Variable Resistor | C 100K XV012313 | 2 連 ロータリ- V R | HIGH(CH5) | 03 |
| VR504 | V8393300 | Rotary Variable Resistor | W 20K XV09213YNP | ロータリ- V R | MID-(CH5) | 04 |
| VR505 | WA507500 | Slide Variable Resistor | 1SY6008 | スライド V R | MID(CH5) | 03 |
| VR506 | V9886100 | Rotary Variable Resistor | XV012313Y 15A15C20 | 2 連 ロータリ- V R | FADER(CH5) | 04 |
| VR507 | V9791000 | Rotary Variable Resistor | B 20K XV09213YNP | ロータリ- V R | PAN(CH5) | 04 |
| VR508 | V9791000 | Rotary Variable Resistor | B 20K XV09213YNP | ロータリ- V R | AUX1(CH5) | 03 |
| VR509 | V9791000 | Rotary Variable Resistor | B 20K XV09213YNP | ロータリ- V R | AUX2(CH5) | 03 |
| VR601 | V8264700 | Rotary Variable Resistor | B 50K XV09213YNP | ロータリ- V R | EFFECT(CH5) | 03 |
| VR602 | V8264700 | Rotary Variable Resistor | B 50K XV09213YNP | ロータリ- V R | LOW(CH6) | 03 |
| VR603 | V9791300 | Rotary Variable Resistor | C 100K XV012313 | 2 連 ロータリ- V R | HIGH(CH6) | 03 |
| VR604 | V8393300 | Rotary Variable Resistor | W 20K XV09213YNP | ロータリ- V R | MID-(CH6) | 04 |
| VR605 | WA507500 | Slide Variable Resistor | 1SY6008 | スライド V R | MID(CH6) | 03 |
| VR606 | V9886100 | Rotary Variable Resistor | XV012313Y 15A15C20 | 2 連 ロータリ- V R | FADER(CH6) | 04 |
| VR607 | V9791000 | Rotary Variable Resistor | B 20K XV09213YNP | ロータリ- V R | PAN(CH6) | 04 |
| VR608 | V9791000 | Rotary Variable Resistor | B 20K XV09213YNP | ロータリ- V R | AUX1(CH6) | 03 |
| VR609 | V9791000 | Rotary Variable Resistor | B 20K XV09213YNP | ロータリ- V R | AUX2(CH6) | 03 |
| ZD101 | VU171800 | Zener Diode | UDZS4.7BTE-17 4.7V | ツェナーダイオード | | 01 |
| ZD201 | VU171800 | Zener Diode | UDZS4.7BTE-17 4.7V | ツェナーダイオード | | 01 |
| ZD301 | VU171800 | Zener Diode | UDZS4.7BTE-17 4.7V | ツェナーダイオード | | 01 |
| ZD401 | VU171800 | Zener Diode | UDZS4.7BTE-17 4.7V | ツェナーダイオード | | 01 |
| ZD501 | VU171800 | Zener Diode | UDZS4.7BTE-17 4.7V | ツェナーダイオード | | 01 |
| ZD601 | VU171800 | Zener Diode | UDZS4.7BTE-17 4.7V | ツェナーダイオード | | 01 |
| | WF569000 | Circuit Board | INJK | I N J K シ- ト | (X6856C0) | |
| | - | Jumper Wire | 0.55 TIN | ジャンパー | (VA07890) | |
| | WE877900 | Bind Head Tapping Screw-S | 3x6 MFZN2W3 | S タイト+ B I N D | | 3 |
| | WF757600 | Hexagonal Spacer | H25 | 6 角 スパ- サ H 2 5 | | 3 |
| C101 | VJ097400 | Electrolytic Cap. | 10uF 50V | ケミコン K L | | 01 |
| C102 | VJ097400 | Electrolytic Cap. | 10uF 50V | ケミコン K L | | 01 |
| C103 | UR867100 | Electrolytic Cap. | 10uF 50V | ケミコン | | 01 |
| C104 | UR867100 | Electrolytic Cap. | 10uF 50V | ケミコン | | 01 |
| C105 | US062470 | Ceramic Capacitor-SL(chip) | 470pF 50V J | チップセラ (S L) | | 01 |
| -107 | US062470 | Ceramic Capacitor-SL(chip) | 470pF 50V J | チップセラ (S L) | | 01 |
| C108 | UR828470 | Electrolytic Cap. | 470uF 10V | ケミコン | | 01 |

*: New Parts

RANK: Japan only

INJK

| REF NO. | PART NO. | DESCRIPTION | | 部 品 名 | REMARKS | QTY | RANK |
|---------|----------|----------------------------|---------------|---------------|---------|-----|------|
| C109 | US062470 | Ceramic Capacitor-SL(chip) | 470pF 50V J | チップセラ (S L) | | | 01 |
| C110 | US061330 | Ceramic Capacitor-CH(chip) | 33pF 50V J | チップセラ (C H) | | | 01 |
| C111 | US062100 | Ceramic Capacitor-SL(chip) | 100pF 50V J | チップセラ (S L) | | | 01 |
| C112 | US061330 | Ceramic Capacitor-CH(chip) | 33pF 50V J | チップセラ (C H) | | | 01 |
| C113 | UR857470 | Electrolytic Cap. | 47uF 35V | ケミコン | | | 01 |
| C114 | UA654820 | Mylar Capacitor | 0.082uF 50V J | マイラ - コン | | | 01 |
| C115 | UA654820 | Mylar Capacitor | 0.082uF 50V J | マイラ - コン | | | 01 |
| C116 | US062100 | Ceramic Capacitor-SL(chip) | 100pF 50V J | チップセラ (S L) | | | 01 |
| C117 | UR857470 | Electrolytic Cap. | 47uF 35V | ケミコン | | | 01 |
| C118 | UR857470 | Electrolytic Cap. | 47uF 35V | ケミコン | | | 01 |
| C119 | US062100 | Ceramic Capacitor-SL(chip) | 100pF 50V J | チップセラ (S L) | | | 01 |
| C120 | US061150 | Ceramic Capacitor-CH(chip) | 15pF 50V J | チップセラ (C H) | | | 01 |
| C121 | US062100 | Ceramic Capacitor-SL(chip) | 100pF 50V J | チップセラ (S L) | | | 01 |
| C122 | US061270 | Ceramic Capacitor-CH(chip) | 27pF 50V J | チップセラ (C H) | | | 01 |
| C123 | UR857470 | Electrolytic Cap. | 47uF 35V | ケミコン | | | 01 |
| C124 | US062100 | Ceramic Capacitor-SL(chip) | 100pF 50V J | チップセラ (S L) | | | 01 |
| C125 | UR857470 | Electrolytic Cap. | 47uF 35V | ケミコン | | | 01 |
| C126 | UR838100 | Electrolytic Cap. | 100uF 16V | ケミコン | | | 01 |
| C127 | US064100 | Ceramic Capacitor-B (chip) | 0.01uF 50V K | チップセラ (B) | | | 01 |
| C128 | US064100 | Ceramic Capacitor-B (chip) | 0.01uF 50V K | チップセラ (B) | | | 01 |
| C129 | UR838100 | Electrolytic Cap. | 100uF 16V | ケミコン | | | 01 |
| C130 | US064100 | Ceramic Capacitor-B (chip) | 0.01uF 50V K | チップセラ (B) | | | 01 |
| -137 | US064100 | Ceramic Capacitor-B (chip) | 0.01uF 50V K | チップセラ (B) | | | 01 |
| C138 | UR878100 | Electrolytic Cap. | 100uF 63V | ケミコン | | | 01 |
| C201 | VJ097400 | Electrolytic Cap. | 10uF 50V | ケミコン K L | | | 01 |
| C202 | VJ097400 | Electrolytic Cap. | 10uF 50V | ケミコン K L | | | 01 |
| C203 | UR867100 | Electrolytic Cap. | 10uF 50V | ケミコン | | | 01 |
| C204 | UR867100 | Electrolytic Cap. | 10uF 50V | ケミコン | | | 01 |
| C205 | US062470 | Ceramic Capacitor-SL(chip) | 470pF 50V J | チップセラ (S L) | | | 01 |
| -207 | US062470 | Ceramic Capacitor-SL(chip) | 470pF 50V J | チップセラ (S L) | | | 01 |
| C208 | UR828470 | Electrolytic Cap. | 470uF 10V | ケミコン | | | 01 |
| C209 | US062470 | Ceramic Capacitor-SL(chip) | 470pF 50V J | チップセラ (S L) | | | 01 |
| C210 | US061330 | Ceramic Capacitor-CH(chip) | 33pF 50V J | チップセラ (C H) | | | 01 |
| C211 | US062100 | Ceramic Capacitor-SL(chip) | 100pF 50V J | チップセラ (S L) | | | 01 |
| C212 | US061330 | Ceramic Capacitor-CH(chip) | 33pF 50V J | チップセラ (C H) | | | 01 |
| C213 | UR857470 | Electrolytic Cap. | 47uF 35V | ケミコン | | | 01 |
| C214 | UA654820 | Mylar Capacitor | 0.082uF 50V J | マイラ - コン | | | 01 |
| C215 | UA654820 | Mylar Capacitor | 0.082uF 50V J | マイラ - コン | | | 01 |
| C216 | US062100 | Ceramic Capacitor-SL(chip) | 100pF 50V J | チップセラ (S L) | | | 01 |
| C217 | UR857470 | Electrolytic Cap. | 47uF 35V | ケミコン | | | 01 |
| C218 | UR857470 | Electrolytic Cap. | 47uF 35V | ケミコン | | | 01 |
| C219 | US062100 | Ceramic Capacitor-SL(chip) | 100pF 50V J | チップセラ (S L) | | | 01 |
| C220 | US061150 | Ceramic Capacitor-CH(chip) | 15pF 50V J | チップセラ (C H) | | | 01 |
| C221 | US062100 | Ceramic Capacitor-SL(chip) | 100pF 50V J | チップセラ (S L) | | | 01 |
| C222 | US061270 | Ceramic Capacitor-CH(chip) | 27pF 50V J | チップセラ (C H) | | | 01 |
| C223 | UR857470 | Electrolytic Cap. | 47uF 35V | ケミコン | | | 01 |
| C224 | US062100 | Ceramic Capacitor-SL(chip) | 100pF 50V J | チップセラ (S L) | | | 01 |
| C225 | UR857470 | Electrolytic Cap. | 47uF 35V | ケミコン | | | 01 |
| C226 | US064100 | Ceramic Capacitor-B (chip) | 0.01uF 50V K | チップセラ (B) | | | 01 |
| -229 | US064100 | Ceramic Capacitor-B (chip) | 0.01uF 50V K | チップセラ (B) | | | 01 |
| C301 | VJ097400 | Electrolytic Cap. | 10uF 50V | ケミコン K L | | | 01 |
| C302 | VJ097400 | Electrolytic Cap. | 10uF 50V | ケミコン K L | | | 01 |
| C303 | UR867100 | Electrolytic Cap. | 10uF 50V | ケミコン | | | 01 |
| C304 | UR867100 | Electrolytic Cap. | 10uF 50V | ケミコン | | | 01 |
| C305 | US062470 | Ceramic Capacitor-SL(chip) | 470pF 50V J | チップセラ (S L) | | | 01 |
| -307 | US062470 | Ceramic Capacitor-SL(chip) | 470pF 50V J | チップセラ (S L) | | | 01 |
| C308 | UR828470 | Electrolytic Cap. | 470uF 10V | ケミコン | | | 01 |
| C309 | US062470 | Ceramic Capacitor-SL(chip) | 470pF 50V J | チップセラ (S L) | | | 01 |
| C310 | US061330 | Ceramic Capacitor-CH(chip) | 33pF 50V J | チップセラ (C H) | | | 01 |
| C311 | US062100 | Ceramic Capacitor-SL(chip) | 100pF 50V J | チップセラ (S L) | | | 01 |
| C312 | US061330 | Ceramic Capacitor-CH(chip) | 33pF 50V J | チップセラ (C H) | | | 01 |
| C313 | UR857470 | Electrolytic Cap. | 47uF 35V | ケミコン | | | 01 |
| C314 | UA654820 | Mylar Capacitor | 0.082uF 50V J | マイラ - コン | | | 01 |
| C315 | UA654820 | Mylar Capacitor | 0.082uF 50V J | マイラ - コン | | | 01 |
| C316 | US062100 | Ceramic Capacitor-SL(chip) | 100pF 50V J | チップセラ (S L) | | | 01 |
| C317 | UR857470 | Electrolytic Cap. | 47uF 35V | ケミコン | | | 01 |
| C318 | UR857470 | Electrolytic Cap. | 47uF 35V | ケミコン | | | 01 |
| C319 | US062100 | Ceramic Capacitor-SL(chip) | 100pF 50V J | チップセラ (S L) | | | 01 |
| C320 | US061150 | Ceramic Capacitor-CH(chip) | 15pF 50V J | チップセラ (C H) | | | 01 |
| C321 | US062100 | Ceramic Capacitor-SL(chip) | 100pF 50V J | チップセラ (S L) | | | 01 |

*: New Parts

RANK: Japan only

INJK

| REF NO. | PART NO. | DESCRIPTION | | 部 品 名 | REMARKS | QTY | RANK |
|---------|----------|----------------------------|---------------|-------------------|---------|-----|------|
| C322 | US061270 | Ceramic Capacitor-CH(chip) | 27pF 50V J | チ ッ プ セ ラ (C H) | | | 01 |
| C323 | UR857470 | Electrolytic Cap. | 47uF 35V | ケ ミ コ ン | | | 01 |
| C324 | US062100 | Ceramic Capacitor-SL(chip) | 100pF 50V J | チ ッ プ セ ラ (S L) | | | 01 |
| C325 | UR857470 | Electrolytic Cap. | 47uF 35V | ケ ミ コ ン | | | 01 |
| C326 | UR838100 | Electrolytic Cap. | 100uF 16V | ケ ミ コ ン | | | 01 |
| C327 | US064100 | Ceramic Capacitor-B (chip) | 0.01uF 50V K | チ ッ プ セ ラ (B) | | | 01 |
| C328 | US064100 | Ceramic Capacitor-B (chip) | 0.01uF 50V K | チ ッ プ セ ラ (B) | | | 01 |
| C329 | UR838100 | Electrolytic Cap. | 100uF 16V | ケ ミ コ ン | | | 01 |
| C330 | US064100 | Ceramic Capacitor-B (chip) | 0.01uF 50V K | チ ッ プ セ ラ (B) | | | 01 |
| -337 | US064100 | Ceramic Capacitor-B (chip) | 0.01uF 50V K | チ ッ プ セ ラ (B) | | | 01 |
| C401 | VJ097400 | Electrolytic Cap. | 10uF 50V | ケ ミ コ ン K L | | | 01 |
| C402 | VJ097400 | Electrolytic Cap. | 10uF 50V | ケ ミ コ ン K L | | | 01 |
| C403 | UR867100 | Electrolytic Cap. | 10uF 50V | ケ ミ コ ン | | | 01 |
| C404 | UR867100 | Electrolytic Cap. | 10uF 50V | ケ ミ コ ン | | | 01 |
| C405 | US062470 | Ceramic Capacitor-SL(chip) | 470pF 50V J | チ ッ プ セ ラ (S L) | | | 01 |
| -407 | US062470 | Ceramic Capacitor-SL(chip) | 470pF 50V J | チ ッ プ セ ラ (S L) | | | 01 |
| C408 | UR828470 | Electrolytic Cap. | 470uF 10V | ケ ミ コ ン | | | 01 |
| C409 | US062470 | Ceramic Capacitor-SL(chip) | 470pF 50V J | チ ッ プ セ ラ (S L) | | | 01 |
| C410 | US061330 | Ceramic Capacitor-CH(chip) | 33pF 50V J | チ ッ プ セ ラ (C H) | | | 01 |
| C411 | US062100 | Ceramic Capacitor-SL(chip) | 100pF 50V J | チ ッ プ セ ラ (S L) | | | 01 |
| C412 | US061330 | Ceramic Capacitor-CH(chip) | 33pF 50V J | チ ッ プ セ ラ (C H) | | | 01 |
| C413 | UR857470 | Electrolytic Cap. | 47uF 35V | ケ ミ コ ン | | | 01 |
| C414 | UA654820 | Mylar Capacitor | 0.082uF 50V J | マ イ ラ - コ ン | | | 01 |
| C415 | UA654820 | Mylar Capacitor | 0.082uF 50V J | マ イ ラ - コ ン | | | 01 |
| C416 | US062100 | Ceramic Capacitor-SL(chip) | 100pF 50V J | チ ッ プ セ ラ (S L) | | | 01 |
| C417 | UR857470 | Electrolytic Cap. | 47uF 35V | ケ ミ コ ン | | | 01 |
| C418 | UR857470 | Electrolytic Cap. | 47uF 35V | ケ ミ コ ン | | | 01 |
| C419 | US062100 | Ceramic Capacitor-SL(chip) | 100pF 50V J | チ ッ プ セ ラ (S L) | | | 01 |
| C420 | US061150 | Ceramic Capacitor-CH(chip) | 15pF 50V J | チ ッ プ セ ラ (C H) | | | 01 |
| C421 | US062100 | Ceramic Capacitor-SL(chip) | 100pF 50V J | チ ッ プ セ ラ (S L) | | | 01 |
| C422 | US061270 | Ceramic Capacitor-CH(chip) | 27pF 50V J | チ ッ プ セ ラ (C H) | | | 01 |
| C423 | UR857470 | Electrolytic Cap. | 47uF 35V | ケ ミ コ ン | | | 01 |
| C424 | US062100 | Ceramic Capacitor-SL(chip) | 100pF 50V J | チ ッ プ セ ラ (S L) | | | 01 |
| C425 | UR857470 | Electrolytic Cap. | 47uF 35V | ケ ミ コ ン | | | 01 |
| C426 | US064100 | Ceramic Capacitor-B (chip) | 0.01uF 50V K | チ ッ プ セ ラ (B) | | | 01 |
| -429 | US064100 | Ceramic Capacitor-B (chip) | 0.01uF 50V K | チ ッ プ セ ラ (B) | | | 01 |
| C501 | VJ097400 | Electrolytic Cap. | 10uF 50V | ケ ミ コ ン K L | | | 01 |
| C502 | VJ097400 | Electrolytic Cap. | 10uF 50V | ケ ミ コ ン K L | | | 01 |
| C503 | UR867100 | Electrolytic Cap. | 10uF 50V | ケ ミ コ ン | | | 01 |
| C504 | UR867100 | Electrolytic Cap. | 10uF 50V | ケ ミ コ ン | | | 01 |
| C505 | US062470 | Ceramic Capacitor-SL(chip) | 470pF 50V J | チ ッ プ セ ラ (S L) | | | 01 |
| -507 | US062470 | Ceramic Capacitor-SL(chip) | 470pF 50V J | チ ッ プ セ ラ (S L) | | | 01 |
| C508 | UR828470 | Electrolytic Cap. | 470uF 10V | ケ ミ コ ン | | | 01 |
| C509 | US062470 | Ceramic Capacitor-SL(chip) | 470pF 50V J | チ ッ プ セ ラ (S L) | | | 01 |
| C510 | US061330 | Ceramic Capacitor-CH(chip) | 33pF 50V J | チ ッ プ セ ラ (C H) | | | 01 |
| C511 | US062100 | Ceramic Capacitor-SL(chip) | 100pF 50V J | チ ッ プ セ ラ (S L) | | | 01 |
| C512 | US061330 | Ceramic Capacitor-CH(chip) | 33pF 50V J | チ ッ プ セ ラ (C H) | | | 01 |
| C513 | UR857470 | Electrolytic Cap. | 47uF 35V | ケ ミ コ ン | | | 01 |
| C514 | UA654820 | Mylar Capacitor | 0.082uF 50V J | マ イ ラ - コ ン | | | 01 |
| C515 | UA654820 | Mylar Capacitor | 0.082uF 50V J | マ イ ラ - コ ン | | | 01 |
| C516 | US062100 | Ceramic Capacitor-SL(chip) | 100pF 50V J | チ ッ プ セ ラ (S L) | | | 01 |
| C517 | UR857470 | Electrolytic Cap. | 47uF 35V | ケ ミ コ ン | | | 01 |
| C518 | UR857470 | Electrolytic Cap. | 47uF 35V | ケ ミ コ ン | | | 01 |
| C519 | US062100 | Ceramic Capacitor-SL(chip) | 100pF 50V J | チ ッ プ セ ラ (S L) | | | 01 |
| C520 | US061150 | Ceramic Capacitor-CH(chip) | 15pF 50V J | チ ッ プ セ ラ (C H) | | | 01 |
| C521 | US062100 | Ceramic Capacitor-SL(chip) | 100pF 50V J | チ ッ プ セ ラ (S L) | | | 01 |
| C522 | US061270 | Ceramic Capacitor-CH(chip) | 27pF 50V J | チ ッ プ セ ラ (C H) | | | 01 |
| C523 | UR857470 | Electrolytic Cap. | 47uF 35V | ケ ミ コ ン | | | 01 |
| C524 | US062100 | Ceramic Capacitor-SL(chip) | 100pF 50V J | チ ッ プ セ ラ (S L) | | | 01 |
| C525 | UR857470 | Electrolytic Cap. | 47uF 35V | ケ ミ コ ン | | | 01 |
| C526 | UR838100 | Electrolytic Cap. | 100uF 16V | ケ ミ コ ン | | | 01 |
| C527 | US064100 | Ceramic Capacitor-B (chip) | 0.01uF 50V K | チ ッ プ セ ラ (B) | | | 01 |
| C528 | US064100 | Ceramic Capacitor-B (chip) | 0.01uF 50V K | チ ッ プ セ ラ (B) | | | 01 |
| C529 | UR838100 | Electrolytic Cap. | 100uF 16V | ケ ミ コ ン | | | 01 |
| C530 | US064100 | Ceramic Capacitor-B (chip) | 0.01uF 50V K | チ ッ プ セ ラ (B) | | | 01 |
| -537 | US064100 | Ceramic Capacitor-B (chip) | 0.01uF 50V K | チ ッ プ セ ラ (B) | | | 01 |
| C538 | UR878100 | Electrolytic Cap. | 100uF 63V | ケ ミ コ ン | | | 01 |
| C601 | VJ097400 | Electrolytic Cap. | 10uF 50V | ケ ミ コ ン K L | | | 01 |
| C602 | VJ097400 | Electrolytic Cap. | 10uF 50V | ケ ミ コ ン K L | | | 01 |
| C603 | UR867100 | Electrolytic Cap. | 10uF 50V | ケ ミ コ ン | | | 01 |

*: New Parts

RANK: Japan only

INJK

| REF NO. | PART NO. | DESCRIPTION | 部 品 名 | REMARKS | QTY | RANK |
|---------|----------|----------------------------|-------------------|---------------------|--------------|------|
| C604 | UR867100 | Electrolytic Cap. | 10uF 50V | ケ ミ コ ン | | 01 |
| C605 | US062470 | Ceramic Capacitor-SL(chip) | 470pF 50V J | チ ッ プ セ ラ (S L) | | 01 |
| -607 | US062470 | Ceramic Capacitor-SL(chip) | 470pF 50V J | チ ッ プ セ ラ (S L) | | 01 |
| C608 | UR828470 | Electrolytic Cap. | 470uF 10V | ケ ミ コ ン | | 01 |
| C609 | US062470 | Ceramic Capacitor-SL(chip) | 470pF 50V J | チ ッ プ セ ラ (S L) | | 01 |
| C610 | US061330 | Ceramic Capacitor-CH(chip) | 33pF 50V J | チ ッ プ セ ラ (C H) | | 01 |
| C611 | US062100 | Ceramic Capacitor-SL(chip) | 100pF 50V J | チ ッ プ セ ラ (S L) | | 01 |
| C612 | US061330 | Ceramic Capacitor-CH(chip) | 33pF 50V J | チ ッ プ セ ラ (C H) | | 01 |
| C613 | UR857470 | Electrolytic Cap. | 47uF 35V | ケ ミ コ ン | | 01 |
| C614 | UA654820 | Mylar Capacitor | 0.082uF 50V J | マ イ ラ - コ ン | | 01 |
| C615 | UA654820 | Mylar Capacitor | 0.082uF 50V J | マ イ ラ - コ ン | | 01 |
| C616 | US062100 | Ceramic Capacitor-SL(chip) | 100pF 50V J | チ ッ プ セ ラ (S L) | | 01 |
| C617 | UR857470 | Electrolytic Cap. | 47uF 35V | ケ ミ コ ン | | 01 |
| C618 | UR857470 | Electrolytic Cap. | 47uF 35V | ケ ミ コ ン | | 01 |
| C619 | US062100 | Ceramic Capacitor-SL(chip) | 100pF 50V J | チ ッ プ セ ラ (S L) | | 01 |
| C620 | US061150 | Ceramic Capacitor-CH(chip) | 15pF 50V J | チ ッ プ セ ラ (C H) | | 01 |
| C621 | US062100 | Ceramic Capacitor-SL(chip) | 100pF 50V J | チ ッ プ セ ラ (S L) | | 01 |
| C622 | US061270 | Ceramic Capacitor-CH(chip) | 27pF 50V J | チ ッ プ セ ラ (C H) | | 01 |
| C623 | UR857470 | Electrolytic Cap. | 47uF 35V | ケ ミ コ ン | | 01 |
| C624 | US062100 | Ceramic Capacitor-SL(chip) | 100pF 50V J | チ ッ プ セ ラ (S L) | | 01 |
| C625 | UR857470 | Electrolytic Cap. | 47uF 35V | ケ ミ コ ン | | 01 |
| C626 | US064100 | Ceramic Capacitor-B (chip) | 0.01uF 50V K | チ ッ プ セ ラ (B) | | 01 |
| -629 | US064100 | Ceramic Capacitor-B (chip) | 0.01uF 50V K | チ ッ プ セ ラ (B) | | 01 |
| C913 | US063100 | Ceramic Capacitor-B (chip) | 1000pF 50V K | チ ッ プ セ ラ (B) | | 01 |
| C914 | US063100 | Ceramic Capacitor-B (chip) | 1000pF 50V K | チ ッ プ セ ラ (B) | | 01 |
| C917 | US063100 | Ceramic Capacitor-B (chip) | 1000pF 50V K | チ ッ プ セ ラ (B) | | 01 |
| C918 | US063100 | Ceramic Capacitor-B (chip) | 1000pF 50V K | チ ッ プ セ ラ (B) | | 01 |
| C921 | US063100 | Ceramic Capacitor-B (chip) | 1000pF 50V K | チ ッ プ セ ラ (B) | | 01 |
| C922 | US063100 | Ceramic Capacitor-B (chip) | 1000pF 50V K | チ ッ プ セ ラ (B) | | 01 |
| C925 | US063100 | Ceramic Capacitor-B (chip) | 1000pF 50V K | チ ッ プ セ ラ (B) | | 01 |
| C926 | US063100 | Ceramic Capacitor-B (chip) | 1000pF 50V K | チ ッ プ セ ラ (B) | | 01 |
| C929 | US063100 | Ceramic Capacitor-B (chip) | 1000pF 50V K | チ ッ プ セ ラ (B) | | 01 |
| C930 | US063100 | Ceramic Capacitor-B (chip) | 1000pF 50V K | チ ッ プ セ ラ (B) | | 01 |
| C933 | US063100 | Ceramic Capacitor-B (chip) | 1000pF 50V K | チ ッ プ セ ラ (B) | | 01 |
| C934 | US063100 | Ceramic Capacitor-B (chip) | 1000pF 50V K | チ ッ プ セ ラ (B) | | 01 |
| CN101 | -- | Pin Header | PHA102-0982-A148 | ピ ン ヘ ッ ダ ー | (WF54490) | |
| CN102 | VB389900 | Connector Base Post | PH 3P TE | コ ネ ク タ ベ ー ス ポ ス ト | | 01 |
| CN301 | -- | Pin Header | PHA102-0982-A148 | ピ ン ヘ ッ ダ ー | (WF54490) | |
| CN501 | -- | Pin Header | PHA102-0982-A148 | ピ ン ヘ ッ ダ ー | (WF54490) | |
| D101 | VT332900 | Diode | 1SS355 TE-17 | ダ イ オ ー ド | | 01 |
| -105 | VT332900 | Diode | 1SS355 TE-17 | ダ イ オ ー ド | | 01 |
| D201 | VT332900 | Diode | 1SS355 TE-17 | ダ イ オ ー ド | | 01 |
| -205 | VT332900 | Diode | 1SS355 TE-17 | ダ イ オ ー ド | | 01 |
| D301 | VT332900 | Diode | 1SS355 TE-17 | ダ イ オ ー ド | | 01 |
| -305 | VT332900 | Diode | 1SS355 TE-17 | ダ イ オ ー ド | | 01 |
| D401 | VT332900 | Diode | 1SS355 TE-17 | ダ イ オ ー ド | | 01 |
| -405 | VT332900 | Diode | 1SS355 TE-17 | ダ イ オ ー ド | | 01 |
| D501 | VT332900 | Diode | 1SS355 TE-17 | ダ イ オ ー ド | | 01 |
| -505 | VT332900 | Diode | 1SS355 TE-17 | ダ イ オ ー ド | | 01 |
| D601 | VT332900 | Diode | 1SS355 TE-17 | ダ イ オ ー ド | | 01 |
| -605 | VT332900 | Diode | 1SS355 TE-17 | ダ イ オ ー ド | | 01 |
| IC101 | X3505A00 | IC | NJM2068M-D(Te2) | OP AMP | | 02 |
| -103 | X3505A00 | IC | NJM2068M-D(Te2) | OP AMP | | 02 |
| IC104 | X6897A00 | IC | BA4560RF-E2 OPAMP | OP AMP | | 02 |
| IC105 | X6897A00 | IC | BA4560RF-E2 OPAMP | OP AMP | | 02 |
| IC203 | X3505A00 | IC | NJM2068M-D(Te2) | OP AMP | | 02 |
| IC204 | X6897A00 | IC | BA4560RF-E2 OPAMP | OP AMP | | 02 |
| IC301 | X3505A00 | IC | NJM2068M-D(Te2) | OP AMP | | 02 |
| -303 | X3505A00 | IC | NJM2068M-D(Te2) | OP AMP | | 02 |
| IC304 | X6897A00 | IC | BA4560RF-E2 OPAMP | OP AMP | | 02 |
| IC305 | X6897A00 | IC | BA4560RF-E2 OPAMP | OP AMP | | 02 |
| IC403 | X3505A00 | IC | NJM2068M-D(Te2) | OP AMP | | 02 |
| IC404 | X6897A00 | IC | BA4560RF-E2 OPAMP | OP AMP | | 02 |
| IC501 | X3505A00 | IC | NJM2068M-D(Te2) | OP AMP | | 02 |
| -503 | X3505A00 | IC | NJM2068M-D(Te2) | OP AMP | | 02 |
| IC504 | X6897A00 | IC | BA4560RF-E2 OPAMP | OP AMP | | 02 |
| IC505 | X6897A00 | IC | BA4560RF-E2 OPAMP | OP AMP | | 02 |
| IC603 | X3505A00 | IC | NJM2068M-D(Te2) | OP AMP | | 02 |
| IC604 | X6897A00 | IC | BA4560RF-E2 OPAMP | OP AMP | | 02 |
| JK101 | V9812900 | Cannon Connector | JACK XLR-301J-A | キャ ノ ン コ ネ ク タ | INPUT A(CH1) | 03 |

*: New Parts

RANK: Japan only

INJK

| REF NO. | PART NO. | DESCRIPTION | 部 品 名 | REMARKS | QTY | RANK |
|---------|----------|------------------------|--------------------|-------------------|--------------|------|
| JK102 | V9812700 | Phone Jack | ST MSJ-064-20A BL | ホ ー ン コ ネ ク タ | | |
| JK103 | V9812600 | Phone Jack | ST MSJ-064-20B B | ホ ー ン コ ネ ク タ | INPUT B(CH1) | 01 |
| JK201 | V9812900 | Cannon Connector | JACK XLR-301J-A | キ ャ ノ ン コ ネ ク タ | INSERT(CH1) | 03 |
| JK202 | V9812700 | Phone Jack | ST MSJ-064-20A BL | ホ ー ン コ ネ ク タ | INPUT A(CH2) | |
| JK203 | V9812600 | Phone Jack | ST MSJ-064-20B B | ホ ー ン コ ネ ク タ | INPUT B(CH2) | 01 |
| JK301 | V9812900 | Cannon Connector | JACK XLR-301J-A | キ ャ ノ ン コ ネ ク タ | INSERT(CH2) | 03 |
| JK302 | V9812700 | Phone Jack | ST MSJ-064-20A BL | ホ ー ン コ ネ ク タ | INPUT A(CH3) | |
| JK303 | V9812600 | Phone Jack | ST MSJ-064-20B B | ホ ー ン コ ネ ク タ | INPUT B(CH3) | 01 |
| JK401 | V9812900 | Cannon Connector | JACK XLR-301J-A | キ ャ ノ ン コ ネ ク タ | INSERT(CH3) | 03 |
| JK402 | V9812700 | Phone Jack | ST MSJ-064-20A BL | ホ ー ン コ ネ ク タ | INPUT A(CH4) | |
| JK403 | V9812600 | Phone Jack | ST MSJ-064-20B B | ホ ー ン コ ネ ク タ | INPUT B(CH4) | 01 |
| JK501 | V9812900 | Cannon Connector | JACK XLR-301J-A | キ ャ ノ ン コ ネ ク タ | INSERT(CH4) | 03 |
| JK502 | V9812700 | Phone Jack | ST MSJ-064-20A BL | ホ ー ン コ ネ ク タ | INPUT A(CH5) | |
| JK503 | V9812600 | Phone Jack | ST MSJ-064-20B B | ホ ー ン コ ネ ク タ | INPUT B(CH5) | 01 |
| JK601 | V9812900 | Cannon Connector | JACK XLR-301J-A | キ ャ ノ ン コ ネ ク タ | INSERT(CH5) | 03 |
| JK602 | V9812700 | Phone Jack | ST MSJ-064-20A BL | ホ ー ン コ ネ ク タ | INPUT A(CH6) | |
| JK603 | V9812600 | Phone Jack | ST MSJ-064-20B B | ホ ー ン コ ネ ク タ | INPUT B(CH6) | 01 |
| Q101 | V7421700 | Transistor (chip) | 2SC3324 GR,BL | チ ッ プ ト ラ ン ジ ス タ | INSERT(CH6) | 01 |
| Q102 | V7421700 | Transistor (chip) | 2SC3324 GR,BL | チ ッ プ ト ラ ン ジ ス タ | | 01 |
| Q103 | WC529400 | Transistor | KTC3875S-Y,GR-RTK/ | ト ラ ン ジ ス タ | | |
| Q104 | WC529400 | Transistor | KTC3875S-Y,GR-RTK/ | ト ラ ン ジ ス タ | | |
| Q105 | V2256200 | FET | 2SK246 GR | F E T | | 02 |
| Q201 | V7421700 | Transistor (chip) | 2SC3324 GR,BL | チ ッ プ ト ラ ン ジ ス タ | | 01 |
| Q202 | V7421700 | Transistor (chip) | 2SC3324 GR,BL | チ ッ プ ト ラ ン ジ ス タ | | 01 |
| Q203 | WC529400 | Transistor | KTC3875S-Y,GR-RTK/ | ト ラ ン ジ ス タ | | |
| Q204 | WC529400 | Transistor | KTC3875S-Y,GR-RTK/ | ト ラ ン ジ ス タ | | |
| Q205 | V2256200 | FET | 2SK246 GR | F E T | | 02 |
| Q301 | V7421700 | Transistor (chip) | 2SC3324 GR,BL | チ ッ プ ト ラ ン ジ ス タ | | 01 |
| Q302 | V7421700 | Transistor (chip) | 2SC3324 GR,BL | チ ッ プ ト ラ ン ジ ス タ | | 01 |
| Q303 | WC529400 | Transistor | KTC3875S-Y,GR-RTK/ | ト ラ ン ジ ス タ | | |
| Q304 | WC529400 | Transistor | KTC3875S-Y,GR-RTK/ | ト ラ ン ジ ス タ | | |
| Q305 | V2256200 | FET | 2SK246 GR | F E T | | 02 |
| Q401 | V7421700 | Transistor (chip) | 2SC3324 GR,BL | チ ッ プ ト ラ ン ジ ス タ | | 01 |
| Q402 | V7421700 | Transistor (chip) | 2SC3324 GR,BL | チ ッ プ ト ラ ン ジ ス タ | | 01 |
| Q403 | WC529400 | Transistor | KTC3875S-Y,GR-RTK/ | ト ラ ン ジ ス タ | | |
| Q404 | WC529400 | Transistor | KTC3875S-Y,GR-RTK/ | ト ラ ン ジ ス タ | | |
| Q405 | V2256200 | FET | 2SK246 GR | F E T | | 02 |
| Q501 | V7421700 | Transistor (chip) | 2SC3324 GR,BL | チ ッ プ ト ラ ン ジ ス タ | | 01 |
| Q502 | V7421700 | Transistor (chip) | 2SC3324 GR,BL | チ ッ プ ト ラ ン ジ ス タ | | 01 |
| Q503 | WC529400 | Transistor | KTC3875S-Y,GR-RTK/ | ト ラ ン ジ ス タ | | |
| Q504 | WC529400 | Transistor | KTC3875S-Y,GR-RTK/ | ト ラ ン ジ ス タ | | |
| Q505 | V2256200 | FET | 2SK246 GR | F E T | | 02 |
| Q601 | V7421700 | Transistor (chip) | 2SC3324 GR,BL | チ ッ プ ト ラ ン ジ ス タ | | 01 |
| Q602 | V7421700 | Transistor (chip) | 2SC3324 GR,BL | チ ッ プ ト ラ ン ジ ス タ | | 01 |
| Q603 | WC529400 | Transistor | KTC3875S-Y,GR-RTK/ | ト ラ ン ジ ス タ | | |
| Q604 | WC529400 | Transistor | KTC3875S-Y,GR-RTK/ | ト ラ ン ジ ス タ | | |
| Q605 | V2256200 | FET | 2SK246 GR | F E T | | 02 |
| R101 | HB026680 | Metal Film Resistor | 6.8K 1/4W F | 金 属 被 膜 抵 抗 | | 01 |
| R102 | HB026680 | Metal Film Resistor | 6.8K 1/4W F | 金 属 被 膜 抵 抗 | | 01 |
| R103 | RD357100 | Carbon Resistor (chip) | 10K 1/16W J | チ ッ プ 抵 抗 | | 01 |
| R104 | RF358100 | Carbon Resistor (chip) | 100K 1/16W D | チ ッ プ 抵 抗 | | 01 |
| R105 | RF358100 | Carbon Resistor (chip) | 100K 1/16W D | チ ッ プ 抵 抗 | | 01 |
| R106 | RD355180 | Carbon Resistor (chip) | 180 1/16W J | チ ッ プ 抵 抗 | | 01 |
| R107 | RF356510 | Carbon Resistor (chip) | 5.1K 1/16W D | チ ッ プ 抵 抗 | | 01 |
| R108 | RF355560 | Carbon Resistor (chip) | 560 1/16W D | チ ッ プ 抵 抗 | | 01 |
| R109 | RF356510 | Carbon Resistor (chip) | 5.1K 1/16W D | チ ッ プ 抵 抗 | | 01 |
| R110 | RF357120 | Carbon Resistor (chip) | 12K 1/16W D | チ ッ プ 抵 抗 | | 01 |
| R111 | RF358100 | Carbon Resistor (chip) | 100K 1/16W D | チ ッ プ 抵 抗 | | 01 |
| R112 | RF358100 | Carbon Resistor (chip) | 100K 1/16W D | チ ッ プ 抵 抗 | | 01 |
| R113 | RF356220 | Carbon Resistor (chip) | 2.2K 1/16W D | チ ッ プ 抵 抗 | | 01 |
| R114 | RF356220 | Carbon Resistor (chip) | 2.2K 1/16W D | チ ッ プ 抵 抗 | | 01 |
| R115 | RD354100 | Carbon Resistor (chip) | 10 1/16W J | チ ッ プ 抵 抗 | | 01 |
| R116 | RD354100 | Carbon Resistor (chip) | 10 1/16W J | チ ッ プ 抵 抗 | | 01 |
| R117 | RF354270 | Carbon Resistor (chip) | 27 1/16W D | チ ッ プ 抵 抗 | | 01 |
| R118 | RF357100 | Carbon Resistor (chip) | 10K 1/16W D | チ ッ プ 抵 抗 | | 01 |
| R119 | RF356390 | Carbon Resistor (chip) | 3.9K 1/16W D | チ ッ プ 抵 抗 | | 01 |
| R120 | RF357100 | Carbon Resistor (chip) | 10K 1/16W D | チ ッ プ 抵 抗 | | 01 |
| R121 | RF356390 | Carbon Resistor (chip) | 3.9K 1/16W D | チ ッ プ 抵 抗 | | 01 |
| R122 | RF357330 | Carbon Resistor (chip) | 33K 1/16W D | チ ッ プ 抵 抗 | | 01 |
| R123 | RF357330 | Carbon Resistor (chip) | 33K 1/16W D | チ ッ プ 抵 抗 | | 01 |

*: New Parts

RANK: Japan only

INJK

| REF NO. | PART NO. | DESCRIPTION | | 部 | 品 | 名 | REMARKS | QTY | RANK |
|---------|----------|-------------------------|--------------|---|---|---|---------|-----|------|
| R124 | RD358220 | Carbon Resistor (chip) | 220K 1/16W J | チ | ッ | ブ | 抵抗 | | 01 |
| R125 | RD357160 | Carbon Resistor (chip) | 16K 1/16W J | チ | ッ | ブ | 抵抗 | | 01 |
| R126 | RD357330 | Carbon Resistor (chip) | 33K 1/16W J | チ | ッ | ブ | 抵抗 | | 01 |
| R127 | RD358220 | Carbon Resistor (chip) | 220K 1/16W J | チ | ッ | ブ | 抵抗 | | 01 |
| R128 | RD358220 | Carbon Resistor (chip) | 220K 1/16W J | チ | ッ | ブ | 抵抗 | | 01 |
| R129 | RD357510 | Carbon Resistor (chip) | 51K 1/16W J | チ | ッ | ブ | 抵抗 | | 01 |
| R130 | RD357100 | Carbon Resistor (chip) | 10K 1/16W J | チ | ッ | ブ | 抵抗 | | 01 |
| R131 | RD356150 | Carbon Resistor (chip) | 1.5K 1/16W J | チ | ッ | ブ | 抵抗 | | 01 |
| R132 | RD357510 | Carbon Resistor (chip) | 51K 1/16W J | チ | ッ | ブ | 抵抗 | | 01 |
| R133 | RD357100 | Carbon Resistor (chip) | 10K 1/16W J | チ | ッ | ブ | 抵抗 | | 01 |
| R134 | RD357150 | Carbon Resistor (chip) | 15K 1/16W J | チ | ッ | ブ | 抵抗 | | 01 |
| R135 | RD357100 | Carbon Resistor (chip) | 10K 1/16W J | チ | ッ | ブ | 抵抗 | | 01 |
| R136 | RD357100 | Carbon Resistor (chip) | 10K 1/16W J | チ | ッ | ブ | 抵抗 | | 01 |
| R137 | RD356240 | Carbon Resistor (chip) | 2.4K 1/16W J | チ | ッ | ブ | 抵抗 | | 01 |
| R138 | RD356360 | Carbon Resistor (chip) | 3.6K 1/16W J | チ | ッ | ブ | 抵抗 | | 01 |
| R139 | RD357150 | Carbon Resistor (chip) | 15K 1/16W J | チ | ッ | ブ | 抵抗 | | 01 |
| R140 | RD357120 | Carbon Resistor (chip) | 12K 1/16W J | チ | ッ | ブ | 抵抗 | | 01 |
| R141 | RD357150 | Carbon Resistor (chip) | 15K 1/16W J | チ | ッ | ブ | 抵抗 | | 01 |
| R142 | RD357150 | Carbon Resistor (chip) | 15K 1/16W J | チ | ッ | ブ | 抵抗 | | 01 |
| R143 | RD357390 | Carbon Resistor (chip) | 39K 1/16W J | チ | ッ | ブ | 抵抗 | | 01 |
| R144 | RD356100 | Carbon Resistor (chip) | 1.0K 1/16W J | チ | ッ | ブ | 抵抗 | | 01 |
| R145 | RD358100 | Carbon Resistor (chip) | 100K 1/16W J | チ | ッ | ブ | 抵抗 | | 01 |
| R146 | RF358100 | Carbon Resistor (chip) | 100K 1/16W D | チ | ッ | ブ | 抵抗 | | 01 |
| R147 | RF358100 | Carbon Resistor (chip) | 100K 1/16W D | チ | ッ | ブ | 抵抗 | | 01 |
| R148 | HV755100 | Flame Proof C. Resistor | 100 1/4W J | 不 | 燃 | 化 | カーボン抵抗 | | 01 |
| R149 | RD358100 | Carbon Resistor (chip) | 100K 1/16W J | チ | ッ | ブ | 抵抗 | | 01 |
| R201 | HB026680 | Metal Film Resistor | 6.8K 1/4W F | 金 | 属 | 被 | 膜抵抗 | | 01 |
| R202 | HB026680 | Metal Film Resistor | 6.8K 1/4W F | 金 | 属 | 被 | 膜抵抗 | | 01 |
| R203 | RD357100 | Carbon Resistor (chip) | 10K 1/16W J | チ | ッ | ブ | 抵抗 | | 01 |
| R204 | RF358100 | Carbon Resistor (chip) | 100K 1/16W D | チ | ッ | ブ | 抵抗 | | 01 |
| R205 | RF358100 | Carbon Resistor (chip) | 100K 1/16W D | チ | ッ | ブ | 抵抗 | | 01 |
| R206 | RD355180 | Carbon Resistor (chip) | 180 1/16W J | チ | ッ | ブ | 抵抗 | | 01 |
| R207 | RF356510 | Carbon Resistor (chip) | 5.1K 1/16W D | チ | ッ | ブ | 抵抗 | | 01 |
| R208 | RF355560 | Carbon Resistor (chip) | 560 1/16W D | チ | ッ | ブ | 抵抗 | | 01 |
| R209 | RF356510 | Carbon Resistor (chip) | 5.1K 1/16W D | チ | ッ | ブ | 抵抗 | | 01 |
| R210 | RF357120 | Carbon Resistor (chip) | 12K 1/16W D | チ | ッ | ブ | 抵抗 | | 01 |
| R211 | RF358100 | Carbon Resistor (chip) | 100K 1/16W D | チ | ッ | ブ | 抵抗 | | 01 |
| R212 | RF358100 | Carbon Resistor (chip) | 100K 1/16W D | チ | ッ | ブ | 抵抗 | | 01 |
| R213 | RF356220 | Carbon Resistor (chip) | 2.2K 1/16W D | チ | ッ | ブ | 抵抗 | | 01 |
| R214 | RF356220 | Carbon Resistor (chip) | 2.2K 1/16W D | チ | ッ | ブ | 抵抗 | | 01 |
| R215 | RD354100 | Carbon Resistor (chip) | 10 1/16W J | チ | ッ | ブ | 抵抗 | | 01 |
| R216 | RD354100 | Carbon Resistor (chip) | 10 1/16W J | チ | ッ | ブ | 抵抗 | | 01 |
| R217 | RF354270 | Carbon Resistor (chip) | 27 1/16W D | チ | ッ | ブ | 抵抗 | | 01 |
| R218 | RF357100 | Carbon Resistor (chip) | 10K 1/16W D | チ | ッ | ブ | 抵抗 | | 01 |
| R219 | RF356390 | Carbon Resistor (chip) | 3.9K 1/16W D | チ | ッ | ブ | 抵抗 | | 01 |
| R220 | RF357100 | Carbon Resistor (chip) | 10K 1/16W D | チ | ッ | ブ | 抵抗 | | 01 |
| R221 | RF356390 | Carbon Resistor (chip) | 3.9K 1/16W D | チ | ッ | ブ | 抵抗 | | 01 |
| R222 | RF357330 | Carbon Resistor (chip) | 33K 1/16W D | チ | ッ | ブ | 抵抗 | | 01 |
| R223 | RF357330 | Carbon Resistor (chip) | 33K 1/16W D | チ | ッ | ブ | 抵抗 | | 01 |
| R224 | RD358220 | Carbon Resistor (chip) | 220K 1/16W J | チ | ッ | ブ | 抵抗 | | 01 |
| R225 | RD357160 | Carbon Resistor (chip) | 16K 1/16W J | チ | ッ | ブ | 抵抗 | | 01 |
| R226 | RD357330 | Carbon Resistor (chip) | 33K 1/16W J | チ | ッ | ブ | 抵抗 | | 01 |
| R227 | RD358220 | Carbon Resistor (chip) | 220K 1/16W J | チ | ッ | ブ | 抵抗 | | 01 |
| R228 | RD358220 | Carbon Resistor (chip) | 220K 1/16W J | チ | ッ | ブ | 抵抗 | | 01 |
| R229 | RD357510 | Carbon Resistor (chip) | 51K 1/16W J | チ | ッ | ブ | 抵抗 | | 01 |
| R230 | RD357100 | Carbon Resistor (chip) | 10K 1/16W J | チ | ッ | ブ | 抵抗 | | 01 |
| R231 | RD356150 | Carbon Resistor (chip) | 1.5K 1/16W J | チ | ッ | ブ | 抵抗 | | 01 |
| R232 | RD357510 | Carbon Resistor (chip) | 51K 1/16W J | チ | ッ | ブ | 抵抗 | | 01 |
| R233 | RD357100 | Carbon Resistor (chip) | 10K 1/16W J | チ | ッ | ブ | 抵抗 | | 01 |
| R234 | RD357150 | Carbon Resistor (chip) | 15K 1/16W J | チ | ッ | ブ | 抵抗 | | 01 |
| R235 | RD357100 | Carbon Resistor (chip) | 10K 1/16W J | チ | ッ | ブ | 抵抗 | | 01 |
| R236 | RD357100 | Carbon Resistor (chip) | 10K 1/16W J | チ | ッ | ブ | 抵抗 | | 01 |
| R237 | RD356240 | Carbon Resistor (chip) | 2.4K 1/16W J | チ | ッ | ブ | 抵抗 | | 01 |
| R238 | RD356360 | Carbon Resistor (chip) | 3.6K 1/16W J | チ | ッ | ブ | 抵抗 | | 01 |
| R239 | RD357150 | Carbon Resistor (chip) | 15K 1/16W J | チ | ッ | ブ | 抵抗 | | 01 |
| R240 | RD357120 | Carbon Resistor (chip) | 12K 1/16W J | チ | ッ | ブ | 抵抗 | | 01 |
| R241 | RD357150 | Carbon Resistor (chip) | 15K 1/16W J | チ | ッ | ブ | 抵抗 | | 01 |
| R242 | RD357150 | Carbon Resistor (chip) | 15K 1/16W J | チ | ッ | ブ | 抵抗 | | 01 |
| R243 | RD357390 | Carbon Resistor (chip) | 39K 1/16W J | チ | ッ | ブ | 抵抗 | | 01 |
| R244 | RD356100 | Carbon Resistor (chip) | 1.0K 1/16W J | チ | ッ | ブ | 抵抗 | | 01 |

*: New Parts

RANK: Japan only

INJK

| REF NO. | PART NO. | DESCRIPTION | | 部 品 名 | REMARKS | QTY | RANK |
|---------|----------|------------------------|--------------|-------------|---------|-----|------|
| R245 | RD358100 | Carbon Resistor (chip) | 100K 1/16W J | チ ッ プ 抵 抗 | | | 01 |
| R246 | RF358100 | Carbon Resistor (chip) | 100K 1/16W D | チ ッ プ 抵 抗 | | | 01 |
| R247 | RF358100 | Carbon Resistor (chip) | 100K 1/16W D | チ ッ プ 抵 抗 | | | 01 |
| R301 | HB026680 | Metal Film Resistor | 6.8K 1/4W F | 金 属 被 膜 抵 抗 | | | 01 |
| R302 | HB026680 | Metal Film Resistor | 6.8K 1/4W F | 金 属 被 膜 抵 抗 | | | 01 |
| R303 | RD357100 | Carbon Resistor (chip) | 10K 1/16W J | チ ッ プ 抵 抗 | | | 01 |
| R304 | RF358100 | Carbon Resistor (chip) | 100K 1/16W D | チ ッ プ 抵 抗 | | | 01 |
| R305 | RF358100 | Carbon Resistor (chip) | 100K 1/16W D | チ ッ プ 抵 抗 | | | 01 |
| R306 | RD355180 | Carbon Resistor (chip) | 180 1/16W J | チ ッ プ 抵 抗 | | | 01 |
| R307 | RF356510 | Carbon Resistor (chip) | 5.1K 1/16W D | チ ッ プ 抵 抗 | | | 01 |
| R308 | RF355560 | Carbon Resistor (chip) | 560 1/16W D | チ ッ プ 抵 抗 | | | 01 |
| R309 | RF356510 | Carbon Resistor (chip) | 5.1K 1/16W D | チ ッ プ 抵 抗 | | | 01 |
| R310 | RF357120 | Carbon Resistor (chip) | 12K 1/16W D | チ ッ プ 抵 抗 | | | 01 |
| R311 | RF358100 | Carbon Resistor (chip) | 100K 1/16W D | チ ッ プ 抵 抗 | | | 01 |
| R312 | RF358100 | Carbon Resistor (chip) | 100K 1/16W D | チ ッ プ 抵 抗 | | | 01 |
| R313 | RF356220 | Carbon Resistor (chip) | 2.2K 1/16W D | チ ッ プ 抵 抗 | | | 01 |
| R314 | RF356220 | Carbon Resistor (chip) | 2.2K 1/16W D | チ ッ プ 抵 抗 | | | 01 |
| R315 | RD354100 | Carbon Resistor (chip) | 10 1/16W J | チ ッ プ 抵 抗 | | | 01 |
| R316 | RD354100 | Carbon Resistor (chip) | 10 1/16W J | チ ッ プ 抵 抗 | | | 01 |
| R317 | RF354270 | Carbon Resistor (chip) | 27 1/16W D | チ ッ プ 抵 抗 | | | 01 |
| R318 | RF357100 | Carbon Resistor (chip) | 10K 1/16W D | チ ッ プ 抵 抗 | | | 01 |
| R319 | RF356390 | Carbon Resistor (chip) | 3.9K 1/16W D | チ ッ プ 抵 抗 | | | 01 |
| R320 | RF357100 | Carbon Resistor (chip) | 10K 1/16W D | チ ッ プ 抵 抗 | | | 01 |
| R321 | RF356390 | Carbon Resistor (chip) | 3.9K 1/16W D | チ ッ プ 抵 抗 | | | 01 |
| R322 | RF357330 | Carbon Resistor (chip) | 33K 1/16W D | チ ッ プ 抵 抗 | | | 01 |
| R323 | RF357330 | Carbon Resistor (chip) | 33K 1/16W D | チ ッ プ 抵 抗 | | | 01 |
| R324 | RD358220 | Carbon Resistor (chip) | 220K 1/16W J | チ ッ プ 抵 抗 | | | 01 |
| R325 | RD357160 | Carbon Resistor (chip) | 16K 1/16W J | チ ッ プ 抵 抗 | | | 01 |
| R326 | RD357330 | Carbon Resistor (chip) | 33K 1/16W J | チ ッ プ 抵 抗 | | | 01 |
| R327 | RD358220 | Carbon Resistor (chip) | 220K 1/16W J | チ ッ プ 抵 抗 | | | 01 |
| R328 | RD358220 | Carbon Resistor (chip) | 220K 1/16W J | チ ッ プ 抵 抗 | | | 01 |
| R329 | RD357510 | Carbon Resistor (chip) | 51K 1/16W J | チ ッ プ 抵 抗 | | | 01 |
| R330 | RD357100 | Carbon Resistor (chip) | 10K 1/16W J | チ ッ プ 抵 抗 | | | 01 |
| R331 | RD356150 | Carbon Resistor (chip) | 1.5K 1/16W J | チ ッ プ 抵 抗 | | | 01 |
| R332 | RD357510 | Carbon Resistor (chip) | 51K 1/16W J | チ ッ プ 抵 抗 | | | 01 |
| R333 | RD357100 | Carbon Resistor (chip) | 10K 1/16W J | チ ッ プ 抵 抗 | | | 01 |
| R334 | RD357150 | Carbon Resistor (chip) | 15K 1/16W J | チ ッ プ 抵 抗 | | | 01 |
| R335 | RD357100 | Carbon Resistor (chip) | 10K 1/16W J | チ ッ プ 抵 抗 | | | 01 |
| R336 | RD357100 | Carbon Resistor (chip) | 10K 1/16W J | チ ッ プ 抵 抗 | | | 01 |
| R337 | RD356240 | Carbon Resistor (chip) | 2.4K 1/16W J | チ ッ プ 抵 抗 | | | 01 |
| R338 | RD356360 | Carbon Resistor (chip) | 3.6K 1/16W J | チ ッ プ 抵 抗 | | | 01 |
| R339 | RD357150 | Carbon Resistor (chip) | 15K 1/16W J | チ ッ プ 抵 抗 | | | 01 |
| R340 | RD357120 | Carbon Resistor (chip) | 12K 1/16W J | チ ッ プ 抵 抗 | | | 01 |
| R341 | RD357150 | Carbon Resistor (chip) | 15K 1/16W J | チ ッ プ 抵 抗 | | | 01 |
| R342 | RD357150 | Carbon Resistor (chip) | 15K 1/16W J | チ ッ プ 抵 抗 | | | 01 |
| R343 | RD357390 | Carbon Resistor (chip) | 39K 1/16W J | チ ッ プ 抵 抗 | | | 01 |
| R344 | RD356100 | Carbon Resistor (chip) | 1.0K 1/16W J | チ ッ プ 抵 抗 | | | 01 |
| R345 | RD358100 | Carbon Resistor (chip) | 100K 1/16W J | チ ッ プ 抵 抗 | | | 01 |
| R346 | RF358100 | Carbon Resistor (chip) | 100K 1/16W D | チ ッ プ 抵 抗 | | | 01 |
| R347 | RF358100 | Carbon Resistor (chip) | 100K 1/16W D | チ ッ プ 抵 抗 | | | 01 |
| R401 | HB026680 | Metal Film Resistor | 6.8K 1/4W F | 金 属 被 膜 抵 抗 | | | 01 |
| R402 | HB026680 | Metal Film Resistor | 6.8K 1/4W F | 金 属 被 膜 抵 抗 | | | 01 |
| R403 | RD357100 | Carbon Resistor (chip) | 10K 1/16W J | チ ッ プ 抵 抗 | | | 01 |
| R404 | RF358100 | Carbon Resistor (chip) | 100K 1/16W D | チ ッ プ 抵 抗 | | | 01 |
| R405 | RF358100 | Carbon Resistor (chip) | 100K 1/16W D | チ ッ プ 抵 抗 | | | 01 |
| R406 | RD355180 | Carbon Resistor (chip) | 180 1/16W J | チ ッ プ 抵 抗 | | | 01 |
| R407 | RF356510 | Carbon Resistor (chip) | 5.1K 1/16W D | チ ッ プ 抵 抗 | | | 01 |
| R408 | RF355560 | Carbon Resistor (chip) | 560 1/16W D | チ ッ プ 抵 抗 | | | 01 |
| R409 | RF356510 | Carbon Resistor (chip) | 5.1K 1/16W D | チ ッ プ 抵 抗 | | | 01 |
| R410 | RF357120 | Carbon Resistor (chip) | 12K 1/16W D | チ ッ プ 抵 抗 | | | 01 |
| R411 | RF358100 | Carbon Resistor (chip) | 100K 1/16W D | チ ッ プ 抵 抗 | | | 01 |
| R412 | RF358100 | Carbon Resistor (chip) | 100K 1/16W D | チ ッ プ 抵 抗 | | | 01 |
| R413 | RF356220 | Carbon Resistor (chip) | 2.2K 1/16W D | チ ッ プ 抵 抗 | | | 01 |
| R414 | RF356220 | Carbon Resistor (chip) | 2.2K 1/16W D | チ ッ プ 抵 抗 | | | 01 |
| R415 | RD354100 | Carbon Resistor (chip) | 10 1/16W J | チ ッ プ 抵 抗 | | | 01 |
| R416 | RD354100 | Carbon Resistor (chip) | 10 1/16W J | チ ッ プ 抵 抗 | | | 01 |
| R417 | RF354270 | Carbon Resistor (chip) | 27 1/16W D | チ ッ プ 抵 抗 | | | 01 |
| R418 | RF357100 | Carbon Resistor (chip) | 10K 1/16W D | チ ッ プ 抵 抗 | | | 01 |
| R419 | RF356390 | Carbon Resistor (chip) | 3.9K 1/16W D | チ ッ プ 抵 抗 | | | 01 |
| R420 | RF357100 | Carbon Resistor (chip) | 10K 1/16W D | チ ッ プ 抵 抗 | | | 01 |

*: New Parts

RANK: Japan only

INJK

| REF NO. | PART NO. | DESCRIPTION | 部 品 名 | REMARKS | QTY | RANK |
|---------|----------|------------------------|--------------|-------------|-----|------|
| R421 | RF356390 | Carbon Resistor (chip) | 3.9K 1/16W D | チ ッ プ 抵 抗 | | 01 |
| R422 | RF357330 | Carbon Resistor (chip) | 33K 1/16W D | チ ッ プ 抵 抗 | | 01 |
| R423 | RF357330 | Carbon Resistor (chip) | 33K 1/16W D | チ ッ プ 抵 抗 | | 01 |
| R424 | RD358220 | Carbon Resistor (chip) | 220K 1/16W J | チ ッ プ 抵 抗 | | 01 |
| R425 | RD357160 | Carbon Resistor (chip) | 16K 1/16W J | チ ッ プ 抵 抗 | | 01 |
| R426 | RD357330 | Carbon Resistor (chip) | 33K 1/16W J | チ ッ プ 抵 抗 | | 01 |
| R427 | RD358220 | Carbon Resistor (chip) | 220K 1/16W J | チ ッ プ 抵 抗 | | 01 |
| R428 | RD358220 | Carbon Resistor (chip) | 220K 1/16W J | チ ッ プ 抵 抗 | | 01 |
| R429 | RD357510 | Carbon Resistor (chip) | 51K 1/16W J | チ ッ プ 抵 抗 | | 01 |
| R430 | RD357100 | Carbon Resistor (chip) | 10K 1/16W J | チ ッ プ 抵 抗 | | 01 |
| R431 | RD356150 | Carbon Resistor (chip) | 1.5K 1/16W J | チ ッ プ 抵 抗 | | 01 |
| R432 | RD357510 | Carbon Resistor (chip) | 51K 1/16W J | チ ッ プ 抵 抗 | | 01 |
| R433 | RD357100 | Carbon Resistor (chip) | 10K 1/16W J | チ ッ プ 抵 抗 | | 01 |
| R434 | RD357150 | Carbon Resistor (chip) | 15K 1/16W J | チ ッ プ 抵 抗 | | 01 |
| R435 | RD357100 | Carbon Resistor (chip) | 10K 1/16W J | チ ッ プ 抵 抗 | | 01 |
| R436 | RD357100 | Carbon Resistor (chip) | 10K 1/16W J | チ ッ プ 抵 抗 | | 01 |
| R437 | RD356240 | Carbon Resistor (chip) | 2.4K 1/16W J | チ ッ プ 抵 抗 | | 01 |
| R438 | RD356360 | Carbon Resistor (chip) | 3.6K 1/16W J | チ ッ プ 抵 抗 | | 01 |
| R439 | RD357150 | Carbon Resistor (chip) | 15K 1/16W J | チ ッ プ 抵 抗 | | 01 |
| R440 | RD357120 | Carbon Resistor (chip) | 12K 1/16W J | チ ッ プ 抵 抗 | | 01 |
| R441 | RD357150 | Carbon Resistor (chip) | 15K 1/16W J | チ ッ プ 抵 抗 | | 01 |
| R442 | RD357150 | Carbon Resistor (chip) | 15K 1/16W J | チ ッ プ 抵 抗 | | 01 |
| R443 | RD357390 | Carbon Resistor (chip) | 39K 1/16W J | チ ッ プ 抵 抗 | | 01 |
| R444 | RD356100 | Carbon Resistor (chip) | 1.0K 1/16W J | チ ッ プ 抵 抗 | | 01 |
| R445 | RD358100 | Carbon Resistor (chip) | 100K 1/16W J | チ ッ プ 抵 抗 | | 01 |
| R446 | RF358100 | Carbon Resistor (chip) | 100K 1/16W D | チ ッ プ 抵 抗 | | 01 |
| R447 | RF358100 | Carbon Resistor (chip) | 100K 1/16W D | チ ッ プ 抵 抗 | | 01 |
| R501 | HB026680 | Metal Film Resistor | 6.8K 1/4W F | 金 属 被 膜 抵 抗 | | 01 |
| R502 | HB026680 | Metal Film Resistor | 6.8K 1/4W F | 金 属 被 膜 抵 抗 | | 01 |
| R503 | RD357100 | Carbon Resistor (chip) | 10K 1/16W J | チ ッ プ 抵 抗 | | 01 |
| R504 | RF358100 | Carbon Resistor (chip) | 100K 1/16W D | チ ッ プ 抵 抗 | | 01 |
| R505 | RF358100 | Carbon Resistor (chip) | 100K 1/16W D | チ ッ プ 抵 抗 | | 01 |
| R506 | RD355180 | Carbon Resistor (chip) | 180 1/16W J | チ ッ プ 抵 抗 | | 01 |
| R507 | RF356510 | Carbon Resistor (chip) | 5.1K 1/16W D | チ ッ プ 抵 抗 | | 01 |
| R508 | RF355560 | Carbon Resistor (chip) | 560 1/16W D | チ ッ プ 抵 抗 | | 01 |
| R509 | RF356510 | Carbon Resistor (chip) | 5.1K 1/16W D | チ ッ プ 抵 抗 | | 01 |
| R510 | RF357120 | Carbon Resistor (chip) | 12K 1/16W D | チ ッ プ 抵 抗 | | 01 |
| R511 | RF358100 | Carbon Resistor (chip) | 100K 1/16W D | チ ッ プ 抵 抗 | | 01 |
| R512 | RF358100 | Carbon Resistor (chip) | 100K 1/16W D | チ ッ プ 抵 抗 | | 01 |
| R513 | RF356220 | Carbon Resistor (chip) | 2.2K 1/16W D | チ ッ プ 抵 抗 | | 01 |
| R514 | RF356220 | Carbon Resistor (chip) | 2.2K 1/16W D | チ ッ プ 抵 抗 | | 01 |
| R515 | RD354100 | Carbon Resistor (chip) | 10 1/16W J | チ ッ プ 抵 抗 | | 01 |
| R516 | RD354100 | Carbon Resistor (chip) | 10 1/16W J | チ ッ プ 抵 抗 | | 01 |
| R517 | RF354270 | Carbon Resistor (chip) | 27 1/16W D | チ ッ プ 抵 抗 | | 01 |
| R518 | RF357100 | Carbon Resistor (chip) | 10K 1/16W D | チ ッ プ 抵 抗 | | 01 |
| R519 | RF356390 | Carbon Resistor (chip) | 3.9K 1/16W D | チ ッ プ 抵 抗 | | 01 |
| R520 | RF357100 | Carbon Resistor (chip) | 10K 1/16W D | チ ッ プ 抵 抗 | | 01 |
| R521 | RF356390 | Carbon Resistor (chip) | 3.9K 1/16W D | チ ッ プ 抵 抗 | | 01 |
| R522 | RF357330 | Carbon Resistor (chip) | 33K 1/16W D | チ ッ プ 抵 抗 | | 01 |
| R523 | RF357330 | Carbon Resistor (chip) | 33K 1/16W D | チ ッ プ 抵 抗 | | 01 |
| R524 | RD358220 | Carbon Resistor (chip) | 220K 1/16W J | チ ッ プ 抵 抗 | | 01 |
| R525 | RD357160 | Carbon Resistor (chip) | 16K 1/16W J | チ ッ プ 抵 抗 | | 01 |
| R526 | RD357330 | Carbon Resistor (chip) | 33K 1/16W J | チ ッ プ 抵 抗 | | 01 |
| R527 | RD358220 | Carbon Resistor (chip) | 220K 1/16W J | チ ッ プ 抵 抗 | | 01 |
| R528 | RD358220 | Carbon Resistor (chip) | 220K 1/16W J | チ ッ プ 抵 抗 | | 01 |
| R529 | RD357510 | Carbon Resistor (chip) | 51K 1/16W J | チ ッ プ 抵 抗 | | 01 |
| R530 | RD357100 | Carbon Resistor (chip) | 10K 1/16W J | チ ッ プ 抵 抗 | | 01 |
| R531 | RD356150 | Carbon Resistor (chip) | 1.5K 1/16W J | チ ッ プ 抵 抗 | | 01 |
| R532 | RD357510 | Carbon Resistor (chip) | 51K 1/16W J | チ ッ プ 抵 抗 | | 01 |
| R533 | RD357100 | Carbon Resistor (chip) | 10K 1/16W J | チ ッ プ 抵 抗 | | 01 |
| R534 | RD357150 | Carbon Resistor (chip) | 15K 1/16W J | チ ッ プ 抵 抗 | | 01 |
| R535 | RD357100 | Carbon Resistor (chip) | 10K 1/16W J | チ ッ プ 抵 抗 | | 01 |
| R536 | RD357100 | Carbon Resistor (chip) | 10K 1/16W J | チ ッ プ 抵 抗 | | 01 |
| R537 | RD356240 | Carbon Resistor (chip) | 2.4K 1/16W J | チ ッ プ 抵 抗 | | 01 |
| R538 | RD356360 | Carbon Resistor (chip) | 3.6K 1/16W J | チ ッ プ 抵 抗 | | 01 |
| R539 | RD357150 | Carbon Resistor (chip) | 15K 1/16W J | チ ッ プ 抵 抗 | | 01 |
| R540 | RD357120 | Carbon Resistor (chip) | 12K 1/16W J | チ ッ プ 抵 抗 | | 01 |
| R541 | RD357150 | Carbon Resistor (chip) | 15K 1/16W J | チ ッ プ 抵 抗 | | 01 |
| R542 | RD357150 | Carbon Resistor (chip) | 15K 1/16W J | チ ッ プ 抵 抗 | | 01 |
| R543 | RD357390 | Carbon Resistor (chip) | 39K 1/16W J | チ ッ プ 抵 抗 | | 01 |

*: New Parts

RANK: Japan only

INJK

| REF NO. | PART NO. | DESCRIPTION | | 部 品 名 | REMARKS | QTY | RANK |
|---------|----------|--------------------------|--------------------|-------------------|-----------|-----|------|
| R544 | RD356100 | Carbon Resistor (chip) | 1.0K 1/16W J | チ ッ プ 抵 抗 | | | 01 |
| R545 | RD358100 | Carbon Resistor (chip) | 100K 1/16W J | チ ッ プ 抵 抗 | | | 01 |
| R546 | RF358100 | Carbon Resistor (chip) | 100K 1/16W D | チ ッ プ 抵 抗 | | | 01 |
| R547 | RF358100 | Carbon Resistor (chip) | 100K 1/16W D | チ ッ プ 抵 抗 | | | 01 |
| R548 | HV755100 | Flame Proof C. Resistor | 100 1/4W J | 不 燃 化 カ ー ボ ン 抵 抗 | | | 01 |
| R549 | RD358100 | Carbon Resistor (chip) | 100K 1/16W J | チ ッ プ 抵 抗 | | | 01 |
| R601 | HB026680 | Metal Film Resistor | 6.8K 1/4W F | 金 属 被 膜 抵 抗 | | | 01 |
| R602 | HB026680 | Metal Film Resistor | 6.8K 1/4W F | 金 属 被 膜 抵 抗 | | | 01 |
| R603 | RD357100 | Carbon Resistor (chip) | 10K 1/16W J | チ ッ プ 抵 抗 | | | 01 |
| R604 | RF358100 | Carbon Resistor (chip) | 100K 1/16W D | チ ッ プ 抵 抗 | | | 01 |
| R605 | RF358100 | Carbon Resistor (chip) | 100K 1/16W D | チ ッ プ 抵 抗 | | | 01 |
| R606 | RD355180 | Carbon Resistor (chip) | 180 1/16W J | チ ッ プ 抵 抗 | | | 01 |
| R607 | RF356510 | Carbon Resistor (chip) | 5.1K 1/16W D | チ ッ プ 抵 抗 | | | 01 |
| R608 | RF355560 | Carbon Resistor (chip) | 560 1/16W D | チ ッ プ 抵 抗 | | | 01 |
| R609 | RF356510 | Carbon Resistor (chip) | 5.1K 1/16W D | チ ッ プ 抵 抗 | | | 01 |
| R610 | RF357120 | Carbon Resistor (chip) | 12K 1/16W D | チ ッ プ 抵 抗 | | | 01 |
| R611 | RF358100 | Carbon Resistor (chip) | 100K 1/16W D | チ ッ プ 抵 抗 | | | 01 |
| R612 | RF358100 | Carbon Resistor (chip) | 100K 1/16W D | チ ッ プ 抵 抗 | | | 01 |
| R613 | RF356220 | Carbon Resistor (chip) | 2.2K 1/16W D | チ ッ プ 抵 抗 | | | 01 |
| R614 | RF356220 | Carbon Resistor (chip) | 2.2K 1/16W D | チ ッ プ 抵 抗 | | | 01 |
| R615 | RD354100 | Carbon Resistor (chip) | 10 1/16W J | チ ッ プ 抵 抗 | | | 01 |
| R616 | RD354100 | Carbon Resistor (chip) | 10 1/16W J | チ ッ プ 抵 抗 | | | 01 |
| R617 | RF354270 | Carbon Resistor (chip) | 27 1/16W D | チ ッ プ 抵 抗 | | | 01 |
| R618 | RF357100 | Carbon Resistor (chip) | 10K 1/16W D | チ ッ プ 抵 抗 | | | 01 |
| R619 | RF356390 | Carbon Resistor (chip) | 3.9K 1/16W D | チ ッ プ 抵 抗 | | | 01 |
| R620 | RF357100 | Carbon Resistor (chip) | 10K 1/16W D | チ ッ プ 抵 抗 | | | 01 |
| R621 | RF356390 | Carbon Resistor (chip) | 3.9K 1/16W D | チ ッ プ 抵 抗 | | | 01 |
| R622 | RF357330 | Carbon Resistor (chip) | 33K 1/16W D | チ ッ プ 抵 抗 | | | 01 |
| R623 | RF357330 | Carbon Resistor (chip) | 33K 1/16W D | チ ッ プ 抵 抗 | | | 01 |
| R624 | RD358220 | Carbon Resistor (chip) | 220K 1/16W J | チ ッ プ 抵 抗 | | | 01 |
| R625 | RD357160 | Carbon Resistor (chip) | 16K 1/16W J | チ ッ プ 抵 抗 | | | 01 |
| R626 | RD357330 | Carbon Resistor (chip) | 33K 1/16W J | チ ッ プ 抵 抗 | | | 01 |
| R627 | RD358220 | Carbon Resistor (chip) | 220K 1/16W J | チ ッ プ 抵 抗 | | | 01 |
| R628 | RD358220 | Carbon Resistor (chip) | 220K 1/16W J | チ ッ プ 抵 抗 | | | 01 |
| R629 | RD357510 | Carbon Resistor (chip) | 51K 1/16W J | チ ッ プ 抵 抗 | | | 01 |
| R630 | RD357100 | Carbon Resistor (chip) | 10K 1/16W J | チ ッ プ 抵 抗 | | | 01 |
| R631 | RD356150 | Carbon Resistor (chip) | 1.5K 1/16W J | チ ッ プ 抵 抗 | | | 01 |
| R632 | RD357510 | Carbon Resistor (chip) | 51K 1/16W J | チ ッ プ 抵 抗 | | | 01 |
| R633 | RD357100 | Carbon Resistor (chip) | 10K 1/16W J | チ ッ プ 抵 抗 | | | 01 |
| R634 | RD357150 | Carbon Resistor (chip) | 15K 1/16W J | チ ッ プ 抵 抗 | | | 01 |
| R635 | RD357100 | Carbon Resistor (chip) | 10K 1/16W J | チ ッ プ 抵 抗 | | | 01 |
| R636 | RD357100 | Carbon Resistor (chip) | 10K 1/16W J | チ ッ プ 抵 抗 | | | 01 |
| R637 | RD356240 | Carbon Resistor (chip) | 2.4K 1/16W J | チ ッ プ 抵 抗 | | | 01 |
| R638 | RD356360 | Carbon Resistor (chip) | 3.6K 1/16W J | チ ッ プ 抵 抗 | | | 01 |
| R639 | RD357150 | Carbon Resistor (chip) | 15K 1/16W J | チ ッ プ 抵 抗 | | | 01 |
| R640 | RD357120 | Carbon Resistor (chip) | 12K 1/16W J | チ ッ プ 抵 抗 | | | 01 |
| R641 | RD357150 | Carbon Resistor (chip) | 15K 1/16W J | チ ッ プ 抵 抗 | | | 01 |
| R642 | RD357150 | Carbon Resistor (chip) | 15K 1/16W J | チ ッ プ 抵 抗 | | | 01 |
| R643 | RD357390 | Carbon Resistor (chip) | 39K 1/16W J | チ ッ プ 抵 抗 | | | 01 |
| R644 | RD356100 | Carbon Resistor (chip) | 1.0K 1/16W J | チ ッ プ 抵 抗 | | | 01 |
| R645 | RD358100 | Carbon Resistor (chip) | 100K 1/16W J | チ ッ プ 抵 抗 | | | 01 |
| R646 | RF358100 | Carbon Resistor (chip) | 100K 1/16W D | チ ッ プ 抵 抗 | | | 01 |
| R647 | RF358100 | Carbon Resistor (chip) | 100K 1/16W D | チ ッ プ 抵 抗 | | | 01 |
| RJ001 | RD350000 | Carbon Resistor (chip) | 0 1/16W J | チ ッ プ 抵 抗 | | | 01 |
| -003 | RD350000 | Carbon Resistor (chip) | 0 1/16W J | チ ッ プ 抵 抗 | | | 01 |
| SW101 | V9683600 | Push Switch | PS-22E85L52 | プ ッ シ ュ S W | 26dB(CH1) | | 01 |
| SW102 | V9683600 | Push Switch | PS-22E85L52 | プ ッ シ ュ S W | /80 (CH1) | | 01 |
| SW201 | V9683600 | Push Switch | PS-22E85L52 | プ ッ シ ュ S W | 26dB(CH2) | | 01 |
| SW202 | V9683600 | Push Switch | PS-22E85L52 | プ ッ シ ュ S W | /80 (CH2) | | 01 |
| SW301 | V9683600 | Push Switch | PS-22E85L52 | プ ッ シ ュ S W | 26dB(CH3) | | 01 |
| SW302 | V9683600 | Push Switch | PS-22E85L52 | プ ッ シ ュ S W | /80 (CH3) | | 01 |
| SW401 | V9683600 | Push Switch | PS-22E85L52 | プ ッ シ ュ S W | 26dB(CH4) | | 01 |
| SW402 | V9683600 | Push Switch | PS-22E85L52 | プ ッ シ ュ S W | /80 (CH4) | | 01 |
| SW501 | V9683600 | Push Switch | PS-22E85L52 | プ ッ シ ュ S W | 26dB(CH5) | | 01 |
| SW502 | V9683600 | Push Switch | PS-22E85L52 | プ ッ シ ュ S W | /80 (CH5) | | 01 |
| SW601 | V9683600 | Push Switch | PS-22E85L52 | プ ッ シ ュ S W | 26dB(CH6) | | 01 |
| SW602 | V9683600 | Push Switch | PS-22E85L52 | プ ッ シ ュ S W | /80 (CH6) | | 01 |
| * VR101 | WF704000 | Rotary Variable Resistor | RD 10.0K XV09213YN | ロ ー タ リ ー V R | GAIN(CH1) | | 01 |
| * VR102 | WE252400 | Rotary Variable Resistor | B 20K XV012313 | 2 連 ロ ー タ リ ー V R | COMP(CH1) | | 01 |
| * VR201 | WF704000 | Rotary Variable Resistor | RD 10.0K XV09213YN | ロ ー タ リ ー V R | GAIN(CH2) | | 01 |

*: New Parts

RANK: Japan only

INJK & INLET & MASJK

| REF NO. | PART NO. | DESCRIPTION | | 部 品 名 | REMARKS | QTY | RANK |
|---------|----------|----------------------------|--------------------|-----------------|--------------------|-----|------|
| VR202 | WE252400 | Rotary Variable Resistor | B 20K XV012313 | 2 連 ロータリ- V R | COMP(CH2) | | 01 |
| * VR301 | WF704000 | Rotary Variable Resistor | RD 10.0K XV09213YN | ロータリ- V R | GAIN(CH3) | | |
| VR302 | WE252400 | Rotary Variable Resistor | B 20K XV012313 | 2 連 ロータリ- V R | COMP(CH3) | | 01 |
| * VR401 | WF704000 | Rotary Variable Resistor | RD 10.0K XV09213YN | ロータリ- V R | GAIN(CH4) | | |
| VR402 | WE252400 | Rotary Variable Resistor | B 20K XV012313 | 2 連 ロータリ- V R | COMP(CH4) | | 01 |
| * VR501 | WF704000 | Rotary Variable Resistor | RD 10.0K XV09213YN | ロータリ- V R | GAIN(CH5) | | |
| VR502 | WE252400 | Rotary Variable Resistor | B 20K XV012313 | 2 連 ロータリ- V R | COMP(CH5) | | 01 |
| * VR601 | WF704000 | Rotary Variable Resistor | RD 10.0K XV09213YN | ロータリ- V R | GAIN(CH6) | | |
| VR602 | WE252400 | Rotary Variable Resistor | B 20K XV012313 | 2 連 ロータリ- V R | COMP(CH6) | | 01 |
| * -- | WG970100 | Circuit Board | INLET | I N L E T シ ー ト | J (X6828C0) | | |
| * -- | WG970200 | Circuit Board | INLET | I N L E T シ ー ト | U,A (X6828C0) | | |
| * -- | WG970300 | Circuit Board | INLET | I N L E T シ ー ト | H,B,O,K (X6828C0) | | |
| * -- | -- | Jumper Wire | 0.55 TIN | ジャンパ-線 | (VA07890) | | |
| * -- | WG094900 | Connector Assembly | EARTH | 線材 A S S Y | (VA07890) | | |
| * -- | -- | Angle Bracket, AC Inlet | | インレット金具 | (WE28920) | | |
| △ C301 | WB116000 | Capacitor | 1.0uF 275V U.C. | 規格認定コン | | | |
| △ C302 | V6146500 | Capacitor | 1.0uF 250V J.U. | 規格認定コン K H | | | |
| △ C303 | V6146500 | Capacitor | 1.0uF 250V J.U. | 規格認定コン K H | | | |
| △ C304 | WB116000 | Capacitor | 1.0uF 275V U.C. | 規格認定コン | | | |
| △ C311 | V6146500 | Capacitor | 1.0uF 250V J.U. | 規格認定コン K H | | | |
| △ -314 | V6146500 | Capacitor | 1.0uF 250V J.U. | 規格認定コン K H | | | |
| △ C901 | V6146500 | Capacitor | 1.0uF 250V J.U. | 規格認定コン K H | | | |
| E301 | WE679300 | Terminal Plate | B88 | ターミナル金具 | | | |
| J301 | VA078900 | Jumper Wire | 0.55 TIN | ジャンパ-線 | J | | |
| J302 | VA078900 | Jumper Wire | 0.55 TIN | ジャンパ-線 | J | | |
| △ L301 | WF610300 | Coil | SC-10-E200H YOKO | コイル | | | |
| △ L302 | WF610300 | Coil | SC-10-E200H YOKO | コイル | | | |
| * L303 | WG425700 | Coil | 0.8mH EI48 SHORT | コイル 0.8 m H | J | | |
| * L303 | WG425600 | Coil | 4mH EI48 SHORT | コイル 4 m H | H,B,O,K | | |
| * L304 | WG425600 | Coil | 4mH EI48 SHORT | コイル 4 m H | H,B,O,K | | |
| * R301 | HF058220 | Carbon Resistor | 220K 1/4W J | カーボン抵抗 | | | |
| * R302 | HF058220 | Carbon Resistor | 220K 1/4W J | カーボン抵抗 | | | |
| * W303 | WG094200 | Connector Assembly | B&C | 束線 | | | |
| * W304 | WG094300 | Connector Assembly | B&C | 束線 | | | |
| * W305 | WH010000 | Connector Assembly | B&B | 束線 | U,A | | |
| * W307 | WH010100 | Connector Assembly | B&B | 束線 | U,A | | |
| △ JK305 | WH032400 | AC Inlet | TU-301-AL | A C インレット | | | |
| △ SW901 | WE248300 | Push Switch | SY17-4-2(U1D1)/T | プッシュ S W | POWER SWITCH | | 05 |
| * -- | WF533100 | Circuit Board | MASJK | M A S J K シ ー ト | (WF53540)(X6826C0) | | |
| * -- | WG085400 | Circuit Board | CNT1 | C N T 1 シ ー ト | (WF53540)(X6826C0) | | |
| * -- | WE877900 | Bind Head Tapping Screw-S | 3x6 MFZN2W3 | S タイト+ B I N D | | 2 | 01 |
| * -- | WF757600 | Hexagonal Spacer | H25 | 六角スペーサ H 2 5 | | 2 | |
| * -- | -- | Jumper Wire | 0.55 TIN | ジャンパ-線 | (VA07890) | | |
| C101 | VJ097400 | Electrolytic Cap. | 10uF 50V | ケミコン K L | | | 01 |
| C102 | VJ097400 | Electrolytic Cap. | 10uF 50V | ケミコン K L | | | 01 |
| C103 | UR867100 | Electrolytic Cap. | 10uF 50V | ケミコン | | | 01 |
| C104 | UR867100 | Electrolytic Cap. | 10uF 50V | ケミコン | | | 01 |
| C105 | US062330 | Ceramic Capacitor-SL(chip) | 330pF 50V J | チップセラ(S L) | | | 01 |
| C106 | US062330 | Ceramic Capacitor-SL(chip) | 330pF 50V J | チップセラ(S L) | | | 01 |
| C107 | US062470 | Ceramic Capacitor-SL(chip) | 470pF 50V J | チップセラ(S L) | | | 01 |
| -109 | US062470 | Ceramic Capacitor-SL(chip) | 470pF 50V J | チップセラ(S L) | | | 01 |
| C110 | US062100 | Ceramic Capacitor-SL(chip) | 100pF 50V J | チップセラ(S L) | | | 01 |
| C111 | US062100 | Ceramic Capacitor-SL(chip) | 100pF 50V J | チップセラ(S L) | | | 01 |
| C112 | UR857470 | Electrolytic Cap. | 47uF 35V | ケミコン | | | 01 |
| C113 | UR828470 | Electrolytic Cap. | 470uF 10V | ケミコン | | | 01 |
| C114 | UR828470 | Electrolytic Cap. | 470uF 10V | ケミコン | | | 01 |
| C115 | US062470 | Ceramic Capacitor-SL(chip) | 470pF 50V J | チップセラ(S L) | | | 01 |
| C116 | US062330 | Ceramic Capacitor-SL(chip) | 330pF 50V J | チップセラ(S L) | | | 01 |
| C117 | US062100 | Ceramic Capacitor-SL(chip) | 100pF 50V J | チップセラ(S L) | | | 01 |
| -119 | US062100 | Ceramic Capacitor-SL(chip) | 100pF 50V J | チップセラ(S L) | | | 01 |
| C120 | US062330 | Ceramic Capacitor-SL(chip) | 330pF 50V J | チップセラ(S L) | | | 01 |
| C121 | US061470 | Ceramic Capacitor-CH(chip) | 47pF 50V J | チップセラ(C H) | | | 01 |
| C122 | US061470 | Ceramic Capacitor-CH(chip) | 47pF 50V J | チップセラ(C H) | | | 01 |
| C123 | UR857470 | Electrolytic Cap. | 47uF 35V | ケミコン | | | 01 |
| C124 | UR867100 | Electrolytic Cap. | 10uF 50V | ケミコン | | | 01 |
| C125 | UR867100 | Electrolytic Cap. | 10uF 50V | ケミコン | | | 01 |
| C126 | UA654820 | Mylar Capacitor | 0.082uF 50V J | マイラ-コン | | | 01 |
| C127 | UA654820 | Mylar Capacitor | 0.082uF 50V J | マイラ-コン | | | 01 |

*: New Parts

RANK: Japan only

MASJK

| REF NO. | PART NO. | DESCRIPTION | 部 品 名 | REMARKS | QTY | RANK |
|---------|----------|----------------------------|---------------|-------------------|-----|------|
| C128 | US062100 | Ceramic Capacitor-SL(chip) | 100pF 50V J | チ ッ プ セ ラ (S L) | | 01 |
| C129 | UR857470 | Electrolytic Cap. | 47uF 35V | ケ ミ コ ン | | 01 |
| C130 | UR838100 | Electrolytic Cap. | 100uF 16V | ケ ミ コ ン | | 01 |
| C131 | US064100 | Ceramic Capacitor-B (chip) | 0.01uF 50V K | チ ッ プ セ ラ (B) | | 01 |
| C132 | UR838100 | Electrolytic Cap. | 100uF 16V | ケ ミ コ ン | | 01 |
| C133 | US064100 | Ceramic Capacitor-B (chip) | 0.01uF 50V K | チ ッ プ セ ラ (B) | | 01 |
| -139 | US064100 | Ceramic Capacitor-B (chip) | 0.01uF 50V K | チ ッ プ セ ラ (B) | | 01 |
| C140 | UR878100 | Electrolytic Cap. | 100uF 63V | ケ ミ コ ン | | 01 |
| C201 | VJ097400 | Electrolytic Cap. | 10uF 50V | ケ ミ コ ン K L | | 01 |
| C202 | VJ097400 | Electrolytic Cap. | 10uF 50V | ケ ミ コ ン K L | | 01 |
| C203 | UR867100 | Electrolytic Cap. | 10uF 50V | ケ ミ コ ン | | 01 |
| C204 | UR867100 | Electrolytic Cap. | 10uF 50V | ケ ミ コ ン | | 01 |
| C205 | US062330 | Ceramic Capacitor-SL(chip) | 330pF 50V J | チ ッ プ セ ラ (S L) | | 01 |
| C206 | US062330 | Ceramic Capacitor-SL(chip) | 330pF 50V J | チ ッ プ セ ラ (S L) | | 01 |
| C207 | US062470 | Ceramic Capacitor-SL(chip) | 470pF 50V J | チ ッ プ セ ラ (S L) | | 01 |
| -209 | US062470 | Ceramic Capacitor-SL(chip) | 470pF 50V J | チ ッ プ セ ラ (S L) | | 01 |
| C210 | US062100 | Ceramic Capacitor-SL(chip) | 100pF 50V J | チ ッ プ セ ラ (S L) | | 01 |
| C211 | US062100 | Ceramic Capacitor-SL(chip) | 100pF 50V J | チ ッ プ セ ラ (S L) | | 01 |
| C212 | UR857470 | Electrolytic Cap. | 47uF 35V | ケ ミ コ ン | | 01 |
| C213 | UR828470 | Electrolytic Cap. | 470uF 10V | ケ ミ コ ン | | 01 |
| C214 | UR828470 | Electrolytic Cap. | 470uF 10V | ケ ミ コ ン | | 01 |
| C215 | US062470 | Ceramic Capacitor-SL(chip) | 470pF 50V J | チ ッ プ セ ラ (S L) | | 01 |
| C216 | US062330 | Ceramic Capacitor-SL(chip) | 330pF 50V J | チ ッ プ セ ラ (S L) | | 01 |
| C217 | US062100 | Ceramic Capacitor-SL(chip) | 100pF 50V J | チ ッ プ セ ラ (S L) | | 01 |
| -219 | US062100 | Ceramic Capacitor-SL(chip) | 100pF 50V J | チ ッ プ セ ラ (S L) | | 01 |
| C220 | US062330 | Ceramic Capacitor-SL(chip) | 330pF 50V J | チ ッ プ セ ラ (S L) | | 01 |
| C221 | US061470 | Ceramic Capacitor-CH(chip) | 47pF 50V J | チ ッ プ セ ラ (C H) | | 01 |
| C222 | US061470 | Ceramic Capacitor-CH(chip) | 47pF 50V J | チ ッ プ セ ラ (C H) | | 01 |
| C223 | UR857470 | Electrolytic Cap. | 47uF 35V | ケ ミ コ ン | | 01 |
| C224 | UR867100 | Electrolytic Cap. | 10uF 50V | ケ ミ コ ン | | 01 |
| C225 | UR867100 | Electrolytic Cap. | 10uF 50V | ケ ミ コ ン | | 01 |
| C226 | UA654820 | Mylar Capacitor | 0.082uF 50V J | マ イ ラ ー コ ン | | 01 |
| C227 | UA654820 | Mylar Capacitor | 0.082uF 50V J | マ イ ラ ー コ ン | | 01 |
| C228 | US062100 | Ceramic Capacitor-SL(chip) | 100pF 50V J | チ ッ プ セ ラ (S L) | | 01 |
| C229 | UR857470 | Electrolytic Cap. | 47uF 35V | ケ ミ コ ン | | 01 |
| C230 | US064100 | Ceramic Capacitor-B (chip) | 0.01uF 50V K | チ ッ プ セ ラ (B) | | 01 |
| -233 | US064100 | Ceramic Capacitor-B (chip) | 0.01uF 50V K | チ ッ プ セ ラ (B) | | 01 |
| C301 | UR867100 | Electrolytic Cap. | 10uF 50V | ケ ミ コ ン | | 01 |
| C302 | UR867100 | Electrolytic Cap. | 10uF 50V | ケ ミ コ ン | | 01 |
| C303 | US062330 | Ceramic Capacitor-SL(chip) | 330pF 50V J | チ ッ プ セ ラ (S L) | | 01 |
| C304 | US062330 | Ceramic Capacitor-SL(chip) | 330pF 50V J | チ ッ プ セ ラ (S L) | | 01 |
| C305 | US062100 | Ceramic Capacitor-SL(chip) | 100pF 50V J | チ ッ プ セ ラ (S L) | | 01 |
| C306 | US062100 | Ceramic Capacitor-SL(chip) | 100pF 50V J | チ ッ プ セ ラ (S L) | | 01 |
| C307 | UR828470 | Electrolytic Cap. | 470uF 10V | ケ ミ コ ン | | 01 |
| C308 | UR828470 | Electrolytic Cap. | 470uF 10V | ケ ミ コ ン | | 01 |
| C309 | US062330 | Ceramic Capacitor-SL(chip) | 330pF 50V J | チ ッ プ セ ラ (S L) | | 01 |
| C310 | US062330 | Ceramic Capacitor-SL(chip) | 330pF 50V J | チ ッ プ セ ラ (S L) | | 01 |
| C311 | US061470 | Ceramic Capacitor-CH(chip) | 47pF 50V J | チ ッ プ セ ラ (C H) | | 01 |
| C312 | US061470 | Ceramic Capacitor-CH(chip) | 47pF 50V J | チ ッ プ セ ラ (C H) | | 01 |
| C313 | UR867100 | Electrolytic Cap. | 10uF 50V | ケ ミ コ ン | | 01 |
| C314 | UR867100 | Electrolytic Cap. | 10uF 50V | ケ ミ コ ン | | 01 |
| C315 | US064100 | Ceramic Capacitor-B (chip) | 0.01uF 50V K | チ ッ プ セ ラ (B) | | 01 |
| -318 | US064100 | Ceramic Capacitor-B (chip) | 0.01uF 50V K | チ ッ プ セ ラ (B) | | 01 |
| C401 | UR867100 | Electrolytic Cap. | 10uF 50V | ケ ミ コ ン | | 01 |
| C402 | UR867100 | Electrolytic Cap. | 10uF 50V | ケ ミ コ ン | | 01 |
| C403 | US062330 | Ceramic Capacitor-SL(chip) | 330pF 50V J | チ ッ プ セ ラ (S L) | | 01 |
| C404 | US062330 | Ceramic Capacitor-SL(chip) | 330pF 50V J | チ ッ プ セ ラ (S L) | | 01 |
| C405 | US062100 | Ceramic Capacitor-SL(chip) | 100pF 50V J | チ ッ プ セ ラ (S L) | | 01 |
| C406 | US062100 | Ceramic Capacitor-SL(chip) | 100pF 50V J | チ ッ プ セ ラ (S L) | | 01 |
| C407 | UR828470 | Electrolytic Cap. | 470uF 10V | ケ ミ コ ン | | 01 |
| C408 | UR828470 | Electrolytic Cap. | 470uF 10V | ケ ミ コ ン | | 01 |
| C409 | US062330 | Ceramic Capacitor-SL(chip) | 330pF 50V J | チ ッ プ セ ラ (S L) | | 01 |
| C410 | US062330 | Ceramic Capacitor-SL(chip) | 330pF 50V J | チ ッ プ セ ラ (S L) | | 01 |
| C411 | US061470 | Ceramic Capacitor-CH(chip) | 47pF 50V J | チ ッ プ セ ラ (C H) | | 01 |
| C412 | US061470 | Ceramic Capacitor-CH(chip) | 47pF 50V J | チ ッ プ セ ラ (C H) | | 01 |
| C413 | UR867100 | Electrolytic Cap. | 10uF 50V | ケ ミ コ ン | | 01 |
| C414 | UR867100 | Electrolytic Cap. | 10uF 50V | ケ ミ コ ン | | 01 |
| C415 | US064100 | Ceramic Capacitor-B (chip) | 0.01uF 50V K | チ ッ プ セ ラ (B) | | 01 |
| -418 | US064100 | Ceramic Capacitor-B (chip) | 0.01uF 50V K | チ ッ プ セ ラ (B) | | 01 |
| C501 | US063100 | Ceramic Capacitor-B (chip) | 1000pF 50V K | チ ッ プ セ ラ (B) | | 01 |

*: New Parts

RANK: Japan only

MASJK

| REF NO. | PART NO. | DESCRIPTION | | 部 品 名 | REMARKS | QTY | RANK |
|---------|----------|----------------------------|--------------------|-------------|----------------------|-----|------|
| -508 | US063100 | Ceramic Capacitor-B (chip) | 1000pF 50V K | チップセラ (B) | | | 01 |
| CN101 | -- | Pin Header | PHA102-0982-A148 | ピンヘッダー | (WF54490) | | |
| -104 | -- | Pin Header | PHA102-0982-A148 | ピンヘッダー | (WF54490) | | |
| CN105 | VB389900 | Connector Base Post | PH 3P TE | コネクタベースポスト | | | 01 |
| CN106 | VB390200 | Connector Base Post | PH 6P TE | コネクタベースポスト | | | 01 |
| CN201 | -- | Pin Header | GPHA202 18P TE | ピンヘッダー | (WG42420) | | |
| CN202 | -- | Pin Header | GPHA202 18P TE | ピンヘッダー | (WG42420) | | |
| EM501 | WA093400 | LC Filter | ZJSR5101-223TA-01 | LCフィルタ-EMI | | | 01 |
| EM502 | WA093400 | LC Filter | ZJSR5101-223TA-01 | LCフィルタ-EMI | | | 01 |
| EM503 | WA093400 | LC Filter | ZJSR5101-223TA-01 | LCフィルタ-EMI | | | 01 |
| IC101 | X3505A00 | IC | NJM2068M-D(TE2) | IC | OP AMP | | 02 |
| -104 | X3505A00 | IC | NJM2068M-D(TE2) | IC | OP AMP | | 02 |
| IC202 | X3505A00 | IC | NJM2068M-D(TE2) | IC | OP AMP | | 02 |
| IC203 | X3505A00 | IC | NJM2068M-D(TE2) | IC | OP AMP | | 02 |
| IC301 | X3505A00 | IC | NJM2068M-D(TE2) | IC | OP AMP | | 02 |
| IC302 | X3505A00 | IC | NJM2068M-D(TE2) | IC | OP AMP | | 02 |
| IC401 | X3505A00 | IC | NJM2068M-D(TE2) | IC | OP AMP | | 02 |
| IC402 | X3505A00 | IC | NJM2068M-D(TE2) | IC | OP AMP | | 02 |
| JK101 | V9812900 | Cannon Connector | JACK XLR-301J-A | キャノンコネクタ | MIC 7/8 | | 03 |
| JK102 | V9812600 | Phone Jack | ST MSJ-064-20B B | ホンコネクタ | CH7L | | 01 |
| JK103 | V9812600 | Phone Jack | ST MSJ-064-20B B | ホンコネクタ | CH8R | | 01 |
| JK201 | V9812900 | Cannon Connector | JACK XLR-301J-A | キャノンコネクタ | MIC 9/10 | | 03 |
| JK202 | V9812600 | Phone Jack | ST MSJ-064-20B B | ホンコネクタ | CH9L | | 01 |
| JK203 | V9812600 | Phone Jack | ST MSJ-064-20B B | ホンコネクタ | CH10R | | 01 |
| JK301 | V9812600 | Phone Jack | ST MSJ-064-20B B | ホンコネクタ | CH11L | | 01 |
| JK302 | V9812600 | Phone Jack | ST MSJ-064-20B B | ホンコネクタ | CH12R | | 01 |
| JK303 | V9812800 | Pin Jack | MSP-247H1-01 NI | ピンコネクタ 4 P | LINE 11L/12R/13L/14R | | 02 |
| JK401 | V9812600 | Phone Jack | ST MSJ-064-20B B | ホンコネクタ | CH13L | | 01 |
| JK402 | V9812600 | Phone Jack | ST MSJ-064-20B B | ホンコネクタ | CH14R | | 01 |
| JK501 | V9812600 | Phone Jack | ST MSJ-064-20B B | ホンコネクタ | EFFECT SEND | | 01 |
| JK502 | V9812600 | Phone Jack | ST MSJ-064-20B B | ホンコネクタ | AUX SEND1 | | 01 |
| JK503 | V9812600 | Phone Jack | ST MSJ-064-20B B | ホンコネクタ | AUX SEND2 | | 01 |
| JK504 | WC295700 | Pin Jack | MSP-532HV1-01 NI | ピンコネクタ 2 P | REC OUT | | 01 |
| JK505 | V9812600 | Phone Jack | ST MSJ-064-20B B | ホンコネクタ | ST SUB OUT L | | 01 |
| JK506 | V9812600 | Phone Jack | ST MSJ-064-20B B | ホンコネクタ | ST SUB OUT R | | 01 |
| JK507 | V9812600 | Phone Jack | ST MSJ-064-20B B | ホンコネクタ | ST OUT L | | 01 |
| JK508 | V9812600 | Phone Jack | ST MSJ-064-20B B | ホンコネクタ | ST OUT R | | 01 |
| JK509 | V9812600 | Phone Jack | ST MSJ-064-20B B | ホンコネクタ | FOOT SW | | 01 |
| JK510 | V9812600 | Phone Jack | ST MSJ-064-20B B | ホンコネクタ | PHONES | | 01 |
| K101 | WC533400 | GND Plate | MLA8 | プレート GND | | | |
| K102 | WC533400 | GND Plate | MLA8 | プレート GND | | | |
| Q101 | V7421700 | Transistor (chip) | 2SC3324 GR,BL | チップトランジスタ | | | 01 |
| Q102 | V7421700 | Transistor (chip) | 2SC3324 GR,BL | チップトランジスタ | | | 01 |
| Q103 | WC529400 | Transistor | KTC3875S-Y,GR-RTK/ | トランジスタ | | | |
| Q104 | WC529400 | Transistor | KTC3875S-Y,GR-RTK/ | トランジスタ | | | |
| Q201 | V7421700 | Transistor (chip) | 2SC3324 GR,BL | チップトランジスタ | | | 01 |
| Q202 | V7421700 | Transistor (chip) | 2SC3324 GR,BL | チップトランジスタ | | | 01 |
| Q203 | WC529400 | Transistor | KTC3875S-Y,GR-RTK/ | トランジスタ | | | |
| Q204 | WC529400 | Transistor | KTC3875S-Y,GR-RTK/ | トランジスタ | | | |
| R101 | HB026680 | Metal Film Resistor | 6.8K 1/4W F | 金属被膜抵抗 | | | 01 |
| R102 | RD358220 | Carbon Resistor (chip) | 220K 1/16W J | チップ抵抗 | | | 01 |
| R103 | RD358220 | Carbon Resistor (chip) | 220K 1/16W J | チップ抵抗 | | | 01 |
| R104 | HB026680 | Metal Film Resistor | 6.8K 1/4W F | 金属被膜抵抗 | | | 01 |
| R105 | RD354100 | Carbon Resistor (chip) | 10 1/16W J | チップ抵抗 | | | 01 |
| R106 | RD354100 | Carbon Resistor (chip) | 10 1/16W J | チップ抵抗 | | | 01 |
| R107 | RD357100 | Carbon Resistor (chip) | 10K 1/16W J | チップ抵抗 | | | 01 |
| R108 | RD357100 | Carbon Resistor (chip) | 10K 1/16W J | チップ抵抗 | | | 01 |
| R109 | RD356470 | Carbon Resistor (chip) | 4.7K 1/16W J | チップ抵抗 | | | 01 |
| R110 | RD356470 | Carbon Resistor (chip) | 4.7K 1/16W J | チップ抵抗 | | | 01 |
| R111 | RF357470 | Carbon Resistor (chip) | 47K 1/16W D | チップ抵抗 | | | 01 |
| R112 | RF357470 | Carbon Resistor (chip) | 47K 1/16W D | チップ抵抗 | | | 01 |
| R113 | RD355220 | Carbon Resistor (chip) | 220 1/16W J | チップ抵抗 | | | 01 |
| R114 | RD355220 | Carbon Resistor (chip) | 220 1/16W J | チップ抵抗 | | | 01 |
| R115 | RD354100 | Carbon Resistor (chip) | 10 1/16W J | チップ抵抗 | | | 01 |
| R116 | RF356220 | Carbon Resistor (chip) | 2.2K 1/16W D | チップ抵抗 | | | 01 |
| R117 | RF356390 | Carbon Resistor (chip) | 3.9K 1/16W D | チップ抵抗 | | | 01 |
| R118 | RF355360 | Carbon Resistor (chip) | 360 1/16W D | チップ抵抗 | | | 01 |
| R119 | RF357100 | Carbon Resistor (chip) | 10K 1/16W D | チップ抵抗 | | | 01 |
| R120 | RF357100 | Carbon Resistor (chip) | 10K 1/16W D | チップ抵抗 | | | 01 |
| R121 | RD355120 | Carbon Resistor (chip) | 120 1/16W J | チップ抵抗 | | | 01 |

*: New Parts

RANK: Japan only

MASJK

| REF NO. | PART NO. | DESCRIPTION | | 部 品 名 | REMARKS | QTY | RANK |
|---------|----------|-------------------------|--------------|-------------------|---------|-----|------|
| R122 | RF356220 | Carbon Resistor (chip) | 2.2K 1/16W D | チ ッ プ 抵 抗 | | | 01 |
| R123 | RF356390 | Carbon Resistor (chip) | 3.9K 1/16W D | チ ッ プ 抵 抗 | | | 01 |
| R124 | RD355120 | Carbon Resistor (chip) | 120 1/16W J | チ ッ プ 抵 抗 | | | 01 |
| R125 | RD354100 | Carbon Resistor (chip) | 10 1/16W J | チ ッ プ 抵 抗 | | | 01 |
| R126 | RF356620 | Carbon Resistor (chip) | 6.2K 1/16W D | チ ッ プ 抵 抗 | | | |
| R127 | RF356620 | Carbon Resistor (chip) | 6.2K 1/16W D | チ ッ プ 抵 抗 | | | |
| R128 | RD357200 | Carbon Resistor (chip) | 20K 1/16W J | チ ッ プ 抵 抗 | | | 01 |
| R129 | RD357200 | Carbon Resistor (chip) | 20K 1/16W J | チ ッ プ 抵 抗 | | | 01 |
| R130 | RD358220 | Carbon Resistor (chip) | 220K 1/16W J | チ ッ プ 抵 抗 | | | 01 |
| R131 | RD357160 | Carbon Resistor (chip) | 16K 1/16W J | チ ッ プ 抵 抗 | | | 01 |
| R132 | RD357330 | Carbon Resistor (chip) | 33K 1/16W J | チ ッ プ 抵 抗 | | | 01 |
| R133 | RD358220 | Carbon Resistor (chip) | 220K 1/16W J | チ ッ プ 抵 抗 | | | 01 |
| R134 | HV755100 | Flame Proof C. Resistor | 100 1/4W J | 不 燃 化 カ ー ボ ン 抵 抗 | | | 01 |
| R135 | RD358100 | Carbon Resistor (chip) | 100K 1/16W J | チ ッ プ 抵 抗 | | | 01 |
| R136 | RD356470 | Carbon Resistor (chip) | 4.7K 1/16W J | チ ッ プ 抵 抗 | | | 01 |
| R201 | HB026680 | Metal Film Resistor | 6.8K 1/4W F | 金 属 被 膜 抵 抗 | | | 01 |
| R202 | RD358220 | Carbon Resistor (chip) | 220K 1/16W J | チ ッ プ 抵 抗 | | | 01 |
| R203 | RD358220 | Carbon Resistor (chip) | 220K 1/16W J | チ ッ プ 抵 抗 | | | 01 |
| R204 | HB026680 | Metal Film Resistor | 6.8K 1/4W F | 金 属 被 膜 抵 抗 | | | 01 |
| R205 | RD354100 | Carbon Resistor (chip) | 10 1/16W J | チ ッ プ 抵 抗 | | | 01 |
| R206 | RD354100 | Carbon Resistor (chip) | 10 1/16W J | チ ッ プ 抵 抗 | | | 01 |
| R207 | RD357100 | Carbon Resistor (chip) | 10K 1/16W J | チ ッ プ 抵 抗 | | | 01 |
| R208 | RD357100 | Carbon Resistor (chip) | 10K 1/16W J | チ ッ プ 抵 抗 | | | 01 |
| R209 | RD356470 | Carbon Resistor (chip) | 4.7K 1/16W J | チ ッ プ 抵 抗 | | | 01 |
| R210 | RD356470 | Carbon Resistor (chip) | 4.7K 1/16W J | チ ッ プ 抵 抗 | | | 01 |
| R211 | RF357470 | Carbon Resistor (chip) | 47K 1/16W D | チ ッ プ 抵 抗 | | | 01 |
| R212 | RF357470 | Carbon Resistor (chip) | 47K 1/16W D | チ ッ プ 抵 抗 | | | 01 |
| R213 | RD355220 | Carbon Resistor (chip) | 220 1/16W J | チ ッ プ 抵 抗 | | | 01 |
| R214 | RD355220 | Carbon Resistor (chip) | 220 1/16W J | チ ッ プ 抵 抗 | | | 01 |
| R215 | RD354100 | Carbon Resistor (chip) | 10 1/16W J | チ ッ プ 抵 抗 | | | 01 |
| R216 | RF356220 | Carbon Resistor (chip) | 2.2K 1/16W D | チ ッ プ 抵 抗 | | | 01 |
| R217 | RF356390 | Carbon Resistor (chip) | 3.9K 1/16W D | チ ッ プ 抵 抗 | | | 01 |
| R218 | RF355360 | Carbon Resistor (chip) | 360 1/16W D | チ ッ プ 抵 抗 | | | |
| R219 | RF357100 | Carbon Resistor (chip) | 10K 1/16W D | チ ッ プ 抵 抗 | | | 01 |
| R220 | RF357100 | Carbon Resistor (chip) | 10K 1/16W D | チ ッ プ 抵 抗 | | | 01 |
| R221 | RD355120 | Carbon Resistor (chip) | 120 1/16W J | チ ッ プ 抵 抗 | | | 01 |
| R222 | RF356220 | Carbon Resistor (chip) | 2.2K 1/16W D | チ ッ プ 抵 抗 | | | 01 |
| R223 | RF356390 | Carbon Resistor (chip) | 3.9K 1/16W D | チ ッ プ 抵 抗 | | | 01 |
| R224 | RD355120 | Carbon Resistor (chip) | 120 1/16W J | チ ッ プ 抵 抗 | | | 01 |
| R225 | RD354100 | Carbon Resistor (chip) | 10 1/16W J | チ ッ プ 抵 抗 | | | 01 |
| R226 | RF356620 | Carbon Resistor (chip) | 6.2K 1/16W D | チ ッ プ 抵 抗 | | | |
| R227 | RF356620 | Carbon Resistor (chip) | 6.2K 1/16W D | チ ッ プ 抵 抗 | | | |
| R228 | RD357200 | Carbon Resistor (chip) | 20K 1/16W J | チ ッ プ 抵 抗 | | | 01 |
| R229 | RD357200 | Carbon Resistor (chip) | 20K 1/16W J | チ ッ プ 抵 抗 | | | 01 |
| R230 | RD358220 | Carbon Resistor (chip) | 220K 1/16W J | チ ッ プ 抵 抗 | | | 01 |
| R231 | RD357160 | Carbon Resistor (chip) | 16K 1/16W J | チ ッ プ 抵 抗 | | | 01 |
| R232 | RD357330 | Carbon Resistor (chip) | 33K 1/16W J | チ ッ プ 抵 抗 | | | 01 |
| R233 | RD358220 | Carbon Resistor (chip) | 220K 1/16W J | チ ッ プ 抵 抗 | | | 01 |
| R234 | RD356470 | Carbon Resistor (chip) | 4.7K 1/16W J | チ ッ プ 抵 抗 | | | 01 |
| R301 | RD358220 | Carbon Resistor (chip) | 220K 1/16W J | チ ッ プ 抵 抗 | | | 01 |
| R302 | RD358220 | Carbon Resistor (chip) | 220K 1/16W J | チ ッ プ 抵 抗 | | | 01 |
| R303 | RD357100 | Carbon Resistor (chip) | 10K 1/16W J | チ ッ プ 抵 抗 | | | 01 |
| R304 | RD357100 | Carbon Resistor (chip) | 10K 1/16W J | チ ッ プ 抵 抗 | | | 01 |
| R305 | RD356470 | Carbon Resistor (chip) | 4.7K 1/16W J | チ ッ プ 抵 抗 | | | 01 |
| R306 | RD356470 | Carbon Resistor (chip) | 4.7K 1/16W J | チ ッ プ 抵 抗 | | | 01 |
| R307 | RD355220 | Carbon Resistor (chip) | 220 1/16W J | チ ッ プ 抵 抗 | | | 01 |
| R308 | RD355220 | Carbon Resistor (chip) | 220 1/16W J | チ ッ プ 抵 抗 | | | 01 |
| R309 | RD355120 | Carbon Resistor (chip) | 120 1/16W J | チ ッ プ 抵 抗 | | | 01 |
| R310 | RD355120 | Carbon Resistor (chip) | 120 1/16W J | チ ッ プ 抵 抗 | | | 01 |
| R311 | RD357200 | Carbon Resistor (chip) | 20K 1/16W J | チ ッ プ 抵 抗 | | | 01 |
| R312 | RD357200 | Carbon Resistor (chip) | 20K 1/16W J | チ ッ プ 抵 抗 | | | 01 |
| R401 | RD358220 | Carbon Resistor (chip) | 220K 1/16W J | チ ッ プ 抵 抗 | | | 01 |
| R402 | RD358220 | Carbon Resistor (chip) | 220K 1/16W J | チ ッ プ 抵 抗 | | | 01 |
| R403 | RD357100 | Carbon Resistor (chip) | 10K 1/16W J | チ ッ プ 抵 抗 | | | 01 |
| R404 | RD357100 | Carbon Resistor (chip) | 10K 1/16W J | チ ッ プ 抵 抗 | | | 01 |
| R405 | RD356470 | Carbon Resistor (chip) | 4.7K 1/16W J | チ ッ プ 抵 抗 | | | 01 |
| R406 | RD356470 | Carbon Resistor (chip) | 4.7K 1/16W J | チ ッ プ 抵 抗 | | | 01 |
| R407 | RD355220 | Carbon Resistor (chip) | 220 1/16W J | チ ッ プ 抵 抗 | | | 01 |
| R408 | RD355220 | Carbon Resistor (chip) | 220 1/16W J | チ ッ プ 抵 抗 | | | 01 |
| R409 | RD355120 | Carbon Resistor (chip) | 120 1/16W J | チ ッ プ 抵 抗 | | | 01 |

*: New Parts

RANK: Japan only

MASJK & OUT & PA

| REF NO. | PART NO. | DESCRIPTION | | 部 品 名 | REMARKS | QTY | RANK |
|---------|----------|----------------------------|--------------------|-------------------|--------------------|-----|------|
| R410 | RD355120 | Carbon Resistor (chip) | 120 1/16W J | チ ッ プ 抵 抗 | | | 01 |
| R411 | RD357200 | Carbon Resistor (chip) | 20K 1/16W J | チ ッ プ 抵 抗 | | | 01 |
| R412 | RD357200 | Carbon Resistor (chip) | 20K 1/16W J | チ ッ プ 抵 抗 | | | 01 |
| R501 | RD354750 | Carbon Resistor (chip) | 75 1/16W J | チ ッ プ 抵 抗 | | | 01 |
| -506 | RD354750 | Carbon Resistor (chip) | 75 1/16W J | チ ッ プ 抵 抗 | | | 01 |
| R507 | RD356150 | Carbon Resistor (chip) | 1.5K 1/16W J | チ ッ プ 抵 抗 | | | 01 |
| R508 | RD356150 | Carbon Resistor (chip) | 1.5K 1/16W J | チ ッ プ 抵 抗 | | | 01 |
| R509 | RD354750 | Carbon Resistor (chip) | 75 1/16W J | チ ッ プ 抵 抗 | | | 01 |
| R510 | RD356120 | Carbon Resistor (chip) | 1.2K 1/16W J | チ ッ プ 抵 抗 | | | 01 |
| R511 | RD354750 | Carbon Resistor (chip) | 75 1/16W J | チ ッ プ 抵 抗 | | | 01 |
| -516 | RD354750 | Carbon Resistor (chip) | 75 1/16W J | チ ッ プ 抵 抗 | | | 01 |
| R517 | RD356120 | Carbon Resistor (chip) | 1.2K 1/16W J | チ ッ プ 抵 抗 | | | 01 |
| R518 | RD354750 | Carbon Resistor (chip) | 75 1/16W J | チ ッ プ 抵 抗 | | | 01 |
| SW101 | V9683600 | Push Switch | PS-22E85L52 | プ ッ シ ュ S W | /80 (CH7/8) | | 01 |
| SW201 | V9683600 | Push Switch | PS-22E85L52 | プ ッ シ ュ S W | /80 (CH9/10) | | 01 |
| * VR101 | WF704100 | Rotary Variable Resistor | C 20.0K XV012313YG | 2 連 ロ ー タ リ ー V R | GAIN(CH7/8) | | |
| * VR201 | WF704100 | Rotary Variable Resistor | C 20.0K XV012313YG | 2 連 ロ ー タ リ ー V R | GAIN(CH9/10) | | |
| * VR301 | WF704100 | Rotary Variable Resistor | C 20.0K XV012313YG | 2 連 ロ ー タ リ ー V R | GAIN(CH11/12) | | |
| * VR401 | WF704100 | Rotary Variable Resistor | C 20.0K XV012313YG | 2 連 ロ ー タ リ ー V R | GAIN(CH13/14) | | |
| * - | WF569900 | Circuit Board | OUT | オ ウ ト シ ー ト | (WF57000)(X6875C0) | | |
| - | - | Jumper Wire | 0.55 TIN | ジ ャ ン パ ー 線 | (VA07890) | | |
| C305 | VV082300 | Mylar Capacitor | 0.1uF 250V | フ ィ ル ム コ ン | | | 01 |
| C306 | VV082300 | Mylar Capacitor | 0.1uF 250V | フ ィ ル ム コ ン | | | 01 |
| C307 | WF305700 | Ceramic Capacitor-E | 4700P 1KV Z | セ ラ コ ン (E) | | | |
| C308 | WF305700 | Ceramic Capacitor-E | 4700P 1KV Z | セ ラ コ ン (E) | | | |
| C309 | VV082300 | Mylar Capacitor | 0.1uF 250V | フ ィ ル ム コ ン | | | 01 |
| C310 | VV082300 | Mylar Capacitor | 0.1uF 250V | フ ィ ル ム コ ン | | | 01 |
| CN301 | WE020700 | Fasten Terminal | 16611BL-2 | フ ェ ス ト ン 端 子 | | | 01 |
| -303 | WE020700 | Fasten Terminal | 16611BL-2 | フ ェ ス ト ン 端 子 | | | 01 |
| E302 | WE679300 | Terminal Plate | B88 | タ ー ミ ナ ル 金 具 | | | |
| E901 | WE679300 | Terminal Plate | B88 | タ ー ミ ナ ル 金 具 | | | |
| JK301 | VV089300 | Phone Jack | H30280072N | ホ ー ン コ ネ ク タ | | | 02 |
| JK302 | VV089300 | Phone Jack | H30280072N | ホ ー ン コ ネ ク タ | | | 02 |
| JK303 | V9460200 | Receptacle | NL4/2MD-H | レ セ プ タ ク ル 2 P | | | 06 |
| JK304 | V9460200 | Receptacle | NL4/2MD-H | レ セ プ タ ク ル 2 P | | | 06 |
| L305 | WD408800 | Coil | 1.7uH | 空 芯 コ イ ル 1 . 7 U | | | |
| L306 | WD408800 | Coil | 1.7uH | 空 芯 コ イ ル 1 . 7 U | | | |
| R303 | HV753470 | Flame Proof C. Resistor | 4.7 1/4W J | 不 燃 化 カ ー ボ ン 抵 抗 | | | 01 |
| R304 | HV753470 | Flame Proof C. Resistor | 4.7 1/4W J | 不 燃 化 カ ー ボ ン 抵 抗 | | | 01 |
| R305 | VC755500 | Metal Oxide Film Resistor | 4.7 2W J | 酸 化 金 属 被 膜 抵 抗 | | | 01 |
| R306 | VC755500 | Metal Oxide Film Resistor | 4.7 2W J | 酸 化 金 属 被 膜 抵 抗 | | | 01 |
| R307 | HV753330 | Flame Proof C. Resistor | 3.3 1/4W J | 不 燃 化 カ ー ボ ン 抵 抗 | | | 01 |
| R308 | HV753330 | Flame Proof C. Resistor | 3.3 1/4W J | 不 燃 化 カ ー ボ ン 抵 抗 | | | 01 |
| * W305 | WG094100 | Connector Assembly | B&C | 兼 | | | |
| * - | WG103400 | Circuit Board | PA | P A シ ー ト | (X7385B0) | | |
| C0101 | UR847100 | Electrolytic Cap. | 10uF 25V | ケ ミ コ ン | | | 01 |
| C0102 | UR847100 | Electrolytic Cap. | 10uF 25V | ケ ミ コ ン | | | 01 |
| C0105 | US064100 | Ceramic Capacitor-B (chip) | 0.01uF 50V K | チ ッ プ セ ラ (B) | | | 01 |
| -107 | US064100 | Ceramic Capacitor-B (chip) | 0.01uF 50V K | チ ッ プ セ ラ (B) | | | 01 |
| C0108 | US062330 | Ceramic Capacitor-SL(chip) | 330pF 50V J | チ ッ プ セ ラ (S L) | | | 01 |
| C0110 | US064100 | Ceramic Capacitor-B (chip) | 0.01uF 50V K | チ ッ プ セ ラ (B) | | | 01 |
| C0111 | US063100 | Ceramic Capacitor-B (chip) | 1000pF 50V K | チ ッ プ セ ラ (B) | | | 01 |
| C0112 | US063100 | Ceramic Capacitor-B (chip) | 1000pF 50V K | チ ッ プ セ ラ (B) | | | 01 |
| C0113 | UR838100 | Electrolytic Cap. | 100uF 16V | ケ ミ コ ン | | | 01 |
| C0114 | UR838100 | Electrolytic Cap. | 100uF 16V | ケ ミ コ ン | | | 01 |
| C0115 | UA652330 | Mylar Capacitor | 330pF 50V J | マ イ ラ ー コ ン | | | 01 |
| C0116 | UA652330 | Mylar Capacitor | 330pF 50V J | マ イ ラ ー コ ン | | | 01 |
| C0117 | VR169200 | Monolithic Mylar Capacitor | 0.47uF 50V J | 積 層 マ イ ラ ー コ ン | | | 01 |
| C0118 | VR169200 | Monolithic Mylar Capacitor | 0.47uF 50V J | 積 層 マ イ ラ ー コ ン | | | 01 |
| C0119 | FU451220 | Mica Capacitor | 22pF 500V J | マ イ カ コ ン | | | 01 |
| C0120 | FU451220 | Mica Capacitor | 22pF 500V J | マ イ カ コ ン | | | 01 |
| C0121 | WE130500 | Ceramic Capacitor (chip) | 22pF 500V J | チ ッ プ 積 層 セ ラ コ ン | | | |
| C0122 | WE130500 | Ceramic Capacitor (chip) | 22pF 500V J | チ ッ プ 積 層 セ ラ コ ン | | | |
| C0123 | US064100 | Ceramic Capacitor-B (chip) | 0.01uF 50V K | チ ッ プ セ ラ (B) | | | 01 |
| -128 | US064100 | Ceramic Capacitor-B (chip) | 0.01uF 50V K | チ ッ プ セ ラ (B) | | | 01 |
| C0129 | WE130400 | Ceramic Capacitor (chip) | 10pF 500V J | チ ッ プ 積 層 セ ラ コ ン | | | |
| C0130 | WE130400 | Ceramic Capacitor (chip) | 10pF 500V J | チ ッ プ 積 層 セ ラ コ ン | | | |
| C0131 | WE130500 | Ceramic Capacitor (chip) | 22pF 500V J | チ ッ プ 積 層 セ ラ コ ン | | | |

*: New Parts

RANK: Japan only

PA

| REF NO. | PART NO. | DESCRIPTION | | 部 品 名 | REMARKS | QTY | RANK |
|---------|----------|----------------------------|--------------------|-------------|------------|-----|------|
| C0132 | WE130500 | Ceramic Capacitor (chip) | 22pF 500V J | チップ積層セラコン | | | |
| C0133 | UA653220 | Mylar Capacitor | 2200pF 50V J | マイラーコン | | | 01 |
| -136 | UA653220 | Mylar Capacitor | 2200pF 50V J | マイラーコン | | | 01 |
| C0137 | VZ004000 | Electrolytic Cap. | 2.2uF 200V | ケミコン S K | | | 01 |
| -140 | VZ004000 | Electrolytic Cap. | 2.2uF 200V | ケミコン S K | | | 01 |
| C0141 | UR847100 | Electrolytic Cap. | 10uF 25V | ケミコン | | | 01 |
| -144 | UR847100 | Electrolytic Cap. | 10uF 25V | ケミコン | | | 01 |
| C0145 | WG449400 | Ceramic Capacitor (chip) | 15pF 200V J | チップ積層セラコン | | | |
| -148 | WG449400 | Ceramic Capacitor (chip) | 15pF 200V J | チップ積層セラコン | | | |
| C0149 | V7545000 | Ceramic Capacitor (chip) | 0.022uF 250V K | チップ積層セラコン | | | 01 |
| -152 | V7545000 | Ceramic Capacitor (chip) | 0.022uF 250V K | チップ積層セラコン | | | 01 |
| C0153 | VZ004000 | Electrolytic Cap. | 2.2uF 200V | ケミコン S K | | | 01 |
| -156 | VZ004000 | Electrolytic Cap. | 2.2uF 200V | ケミコン S K | | | 01 |
| C0157 | UR838100 | Electrolytic Cap. | 100uF 16V | ケミコン | | | 01 |
| C0158 | UR838100 | Electrolytic Cap. | 100uF 16V | ケミコン | | | 01 |
| C0159 | US064100 | Ceramic Capacitor-B (chip) | 0.01uF 50V K | チップセラ (B) | | | 01 |
| -161 | US064100 | Ceramic Capacitor-B (chip) | 0.01uF 50V K | チップセラ (B) | | | 01 |
| C0166 | US064100 | Ceramic Capacitor-B (chip) | 0.01uF 50V K | チップセラ (B) | | | 01 |
| C0167 | US064100 | Ceramic Capacitor-B (chip) | 0.01uF 50V K | チップセラ (B) | | | 01 |
| C0168 | VF611200 | Monolithic Ceramic Cap. | 0.1uF 50V Z | 積層セラコン | | | 02 |
| CN101 | VK025800 | Wire Trap | 52147 14P TE | ワイヤードラップ | | | 01 |
| CN102 | VB389800 | Connector Base Post | PH 2P TE | コネクタベースポスト | | | 01 |
| CN103 | VB389800 | Connector Base Post | PH 2P TE | コネクタベースポスト | | | 01 |
| D0101 | VU172800 | Zener Diode | UDZS12B TE-17 12V | ツェナーダイオード | | | 01 |
| D0103 | WD844300 | Diode (chip) | HSU83 | チップダイオード | | | |
| -105 | WD844300 | Diode (chip) | HSU83 | チップダイオード | | | |
| D0106 | WD844300 | Diode (chip) | HSU83 | チップダイオード | | | |
| D0107 | VU171600 | Zener Diode | UDZS3.9BTE-17 3.9V | ツェナーダイオード | | | 01 |
| D0110 | VT332900 | Diode | 1SS355 TE-17 | ダイオード | | | 01 |
| -115 | VT332900 | Diode | 1SS355 TE-17 | ダイオード | | | 01 |
| D0116 | WD844300 | Diode (chip) | HSU83 | チップダイオード | | | |
| -123 | WD844300 | Diode (chip) | HSU83 | チップダイオード | | | |
| D0124 | WD543900 | Diode | 1N4004 DO-41 | ダイオード | | | |
| -127 | WD543900 | Diode | 1N4004 DO-41 | ダイオード | | | |
| D0128 | VT332900 | Diode | 1SS355 TE-17 | ダイオード | | | 01 |
| -131 | VT332900 | Diode | 1SS355 TE-17 | ダイオード | | | 01 |
| D0136 | VU172000 | Zener Diode | UDZS5.6BTE-17 5.6V | ツェナーダイオード | | | 01 |
| D0137 | VU172000 | Zener Diode | UDZS5.6BTE-17 5.6V | ツェナーダイオード | | | 01 |
| IC101 | X3505A00 | IC | NJM2068M-D(TE2) | I C | OP AMP | | 02 |
| IC102 | X6266A00 | IC | BA10339F | I C | COMPARATOR | | 01 |
| PR101 | VL965100 | Positive Thermistor | PTH9M04BE222TS2 | ボジスタ | | | 04 |
| PR102 | VL964800 | Positive Thermistor | PTFM04BH222Q2N34B0 | ボジスタ | | | 04 |
| PR103 | VL965100 | Positive Thermistor | PTH9M04BE222TS2 | ボジスタ | | | 04 |
| Q0101 | VV655300 | Digital Transistor | DTA144EKA | デジタルトランジスタ | | | 01 |
| Q0102 | VV655300 | Digital Transistor | DTA144EKA | デジタルトランジスタ | | | 01 |
| Q0107 | VV556400 | Transistor | 2SC2412K Q,R,S | トランジスタ | | | 01 |
| Q0108 | VV556400 | Transistor | 2SC2412K Q,R,S | トランジスタ | | | 01 |
| Q0109 | VV556500 | Transistor | 2SA1037AK Q,R,S | トランジスタ | | | 01 |
| Q0110 | VV556500 | Transistor | 2SA1037AK Q,R,S | トランジスタ | | | 01 |
| Q0111 | V7421800 | Transistor | 2SA1312 GR,BL | トランジスタ | | | 01 |
| Q0112 | V7421800 | Transistor | 2SA1312 GR,BL | トランジスタ | | | 01 |
| Q0113 | WD841600 | Transistor (chip) | 2SC3143 | チップトランジスタ | | | |
| Q0114 | WD841600 | Transistor (chip) | 2SC3143 | チップトランジスタ | | | |
| Q0115 | V7421800 | Transistor | 2SA1312 GR,BL | トランジスタ | | | 01 |
| Q0116 | V7421800 | Transistor | 2SA1312 GR,BL | トランジスタ | | | 01 |
| Q0117 | WD835400 | Transistor (chip) | 2SA1740 | チップトランジスタ | | | |
| Q0118 | WD835400 | Transistor (chip) | 2SA1740 | チップトランジスタ | | | |
| Q0119 | VV556400 | Transistor | 2SC2412K Q,R,S | トランジスタ | | | 01 |
| Q0120 | WD835500 | Transistor (chip) | 2SC4548 | チップトランジスタ | | | |
| Q0121 | VV556400 | Transistor | 2SC2412K Q,R,S | トランジスタ | | | 01 |
| Q0122 | WD835500 | Transistor (chip) | 2SC4548 | チップトランジスタ | | | |
| -124 | WD835500 | Transistor (chip) | 2SC4548 | チップトランジスタ | | | |
| Q0125 | WD836100 | Transistor (chip) | 2SA1257 | チップトランジスタ | | | |
| Q0126 | WD836100 | Transistor (chip) | 2SA1257 | チップトランジスタ | | | |
| Q0127 | VV556400 | Transistor | 2SC2412K Q,R,S | トランジスタ | | | 01 |
| Q0128 | VV556500 | Transistor | 2SA1037AK Q,R,S | トランジスタ | | | 01 |
| Q0129 | VV556400 | Transistor | 2SC2412K Q,R,S | トランジスタ | | | 01 |
| Q0130 | VV556500 | Transistor | 2SA1037AK Q,R,S | トランジスタ | | | 01 |
| Q0131 | WD835500 | Transistor (chip) | 2SC4548 | チップトランジスタ | | | |
| Q0132 | WD835500 | Transistor (chip) | 2SC4548 | チップトランジスタ | | | |

*: New Parts

RANK: Japan only

PA

| REF NO. | PART NO. | DESCRIPTION | | 部 品 名 | REMARKS | QTY | RANK |
|---------|----------|---------------------------|--------------|-----------|---------|-----|------|
| Q0133 | WD835400 | Transistor (chip) | 2SA1740 | チップトランジスタ | | | |
| Q0134 | WD835400 | Transistor (chip) | 2SA1740 | チップトランジスタ | | | |
| Q0135 | WE527500 | Transistor | 2SC3645 TP | トランジスタ | | | 01 |
| Q0136 | WE527400 | Transistor | 2SA1415 TP | トランジスタ | | | 01 |
| Q0137 | WE527500 | Transistor | 2SC3645 TP | トランジスタ | | | 01 |
| Q0138 | WE527400 | Transistor | 2SA1415 TP | トランジスタ | | | 01 |
| Q0139 | WD836500 | Transistor (chip) | 2SC3739 | チップトランジスタ | | | 02 |
| Q0140 | WD836600 | Transistor (chip) | 2SA1464 | チップトランジスタ | | | 01 |
| Q0141 | WD836500 | Transistor (chip) | 2SC3739 | チップトランジスタ | | | 02 |
| Q0142 | WD836600 | Transistor (chip) | 2SA1464 | チップトランジスタ | | | 01 |
| Q0143 | WD836500 | Transistor (chip) | 2SC3739 | チップトランジスタ | | | 02 |
| Q0144 | WD836600 | Transistor (chip) | 2SA1464 | チップトランジスタ | | | 01 |
| Q0145 | WD836500 | Transistor (chip) | 2SC3739 | チップトランジスタ | | | 02 |
| Q0146 | WD836600 | Transistor (chip) | 2SA1464 | チップトランジスタ | | | 01 |
| Q0151 | WE527500 | Transistor | 2SC3645 TP | トランジスタ | | | 01 |
| Q0160 | WD841600 | Transistor (chip) | 2SC3143 | チップトランジスタ | | | |
| Q0161 | WD841600 | Transistor (chip) | 2SC3143 | チップトランジスタ | | | |
| R0105 | RD350000 | Carbon Resistor (chip) | 0 1/16W J | チップ抵抗 | | | 01 |
| -107 | RD350000 | Carbon Resistor (chip) | 0 1/16W J | チップ抵抗 | | | 01 |
| R0109 | RD357100 | Carbon Resistor (chip) | 10K 1/16W J | チップ抵抗 | | | 01 |
| R0110 | RD350000 | Carbon Resistor (chip) | 0 1/16W J | チップ抵抗 | | | 01 |
| R0111 | RF356100 | Carbon Resistor (chip) | 1.0K 1/16W D | チップ抵抗 | | | 01 |
| R0112 | RF356100 | Carbon Resistor (chip) | 1.0K 1/16W D | チップ抵抗 | | | 01 |
| R0113 | RD357220 | Carbon Resistor (chip) | 22K 1/16W J | チップ抵抗 | | | 01 |
| R0114 | RD357220 | Carbon Resistor (chip) | 22K 1/16W J | チップ抵抗 | | | 01 |
| R0115 | RD156220 | Carbon Resistor (chip) | 2.2K 1/4W J | チップ抵抗 | | | 01 |
| R0116 | RD357220 | Carbon Resistor (chip) | 22K 1/16W J | チップ抵抗 | | | 01 |
| R0117 | RD357220 | Carbon Resistor (chip) | 22K 1/16W J | チップ抵抗 | | | 01 |
| R0118 | RD356330 | Carbon Resistor (chip) | 3.3K 1/16W J | チップ抵抗 | | | 01 |
| R0119 | RD356330 | Carbon Resistor (chip) | 3.3K 1/16W J | チップ抵抗 | | | 01 |
| R0120 | RD356220 | Carbon Resistor (chip) | 2.2K 1/16W J | チップ抵抗 | | | 01 |
| R0121 | RD356220 | Carbon Resistor (chip) | 2.2K 1/16W J | チップ抵抗 | | | 01 |
| R0122 | RD355100 | Carbon Resistor (chip) | 100 1/16W J | チップ抵抗 | | | 01 |
| R0123 | RD358470 | Carbon Resistor (chip) | 470K 1/16W J | チップ抵抗 | | | 01 |
| R0124 | RD355100 | Carbon Resistor (chip) | 100 1/16W J | チップ抵抗 | | | 01 |
| R0125 | RD358470 | Carbon Resistor (chip) | 470K 1/16W J | チップ抵抗 | | | 01 |
| R0127 | RD356120 | Carbon Resistor (chip) | 1.2K 1/16W J | チップ抵抗 | | | 01 |
| R0130 | RD355100 | Carbon Resistor (chip) | 100 1/16W J | チップ抵抗 | | | 01 |
| -133 | RD355100 | Carbon Resistor (chip) | 100 1/16W J | チップ抵抗 | | | 01 |
| R0134 | RD356220 | Carbon Resistor (chip) | 2.2K 1/16W J | チップ抵抗 | | | 01 |
| R0135 | RD356220 | Carbon Resistor (chip) | 2.2K 1/16W J | チップ抵抗 | | | 01 |
| R0136 | RD355560 | Carbon Resistor (chip) | 560 1/16W J | チップ抵抗 | | | 01 |
| R0137 | RD355560 | Carbon Resistor (chip) | 560 1/16W J | チップ抵抗 | | | 01 |
| R0138 | WE457500 | Carbon Resistor | 11K 1/3W F | カーボン抵抗 | | | 01 |
| -141 | WE457500 | Carbon Resistor | 11K 1/3W F | カーボン抵抗 | | | 01 |
| R0142 | RD356150 | Carbon Resistor (chip) | 1.5K 1/16W J | チップ抵抗 | | | 01 |
| R0143 | RD355220 | Carbon Resistor (chip) | 220 1/16W J | チップ抵抗 | | | 01 |
| R0144 | RD356150 | Carbon Resistor (chip) | 1.5K 1/16W J | チップ抵抗 | | | 01 |
| R0145 | RD355220 | Carbon Resistor (chip) | 220 1/16W J | チップ抵抗 | | | 01 |
| R0146 | RD355120 | Carbon Resistor (chip) | 120 1/16W J | チップ抵抗 | | | 01 |
| -151 | RD355120 | Carbon Resistor (chip) | 120 1/16W J | チップ抵抗 | | | 01 |
| R0152 | RD356820 | Carbon Resistor (chip) | 8.2K 1/16W J | チップ抵抗 | | | 01 |
| R0153 | RD356820 | Carbon Resistor (chip) | 8.2K 1/16W J | チップ抵抗 | | | 01 |
| R0154 | RD356430 | Carbon Resistor (chip) | 4.3K 1/16W J | チップ抵抗 | | | 01 |
| -157 | RD356430 | Carbon Resistor (chip) | 4.3K 1/16W J | チップ抵抗 | | | 01 |
| R0158 | RD157240 | Carbon Resistor (chip) | 24K 1/4W J | チップ抵抗 | | | |
| -161 | RD157240 | Carbon Resistor (chip) | 24K 1/4W J | チップ抵抗 | | | |
| R0162 | RD155680 | Carbon Resistor (chip) | 680 1/4W J | チップ抵抗 | | | 01 |
| -165 | RD155680 | Carbon Resistor (chip) | 680 1/4W J | チップ抵抗 | | | 01 |
| R0166 | RD155330 | Carbon Resistor (chip) | 330 1/4W J | チップ抵抗 | | | 01 |
| -169 | RD155330 | Carbon Resistor (chip) | 330 1/4W J | チップ抵抗 | | | 01 |
| R0170 | RD355100 | Carbon Resistor (chip) | 100 1/16W J | チップ抵抗 | | | 01 |
| -173 | RD355100 | Carbon Resistor (chip) | 100 1/16W J | チップ抵抗 | | | 01 |
| R0174 | RD154330 | Carbon Resistor (chip) | 33 1/4W J | チップ抵抗 | | | 01 |
| -177 | RD154330 | Carbon Resistor (chip) | 33 1/4W J | チップ抵抗 | | | 01 |
| R0178 | RD353470 | Carbon Resistor (chip) | 4.7 1/16W J | チップ抵抗 | | | 01 |
| -181 | RD353470 | Carbon Resistor (chip) | 4.7 1/16W J | チップ抵抗 | | | 01 |
| R0182 | RD354220 | Carbon Resistor (chip) | 22 1/16W J | チップ抵抗 | | | 01 |
| -185 | RD354220 | Carbon Resistor (chip) | 22 1/16W J | チップ抵抗 | | | 01 |
| R0186 | VC752900 | Metal Oxide Film Resistor | 0.47 2W J | 酸化金属被膜抵抗 | | | 01 |

*: New Parts

RANK: Japan only

PA

| REF NO. | PART NO. | DESCRIPTION | | 部 品 名 | REMARKS | QTY | RANK |
|---------|----------|---------------------------|--------------|----------|----------------------|-----|------|
| -193 | VC752900 | Metal Oxide Film Resistor | 0.47 2W J | 酸化金属被膜抵抗 | | | 01 |
| R0194 | RD353470 | Carbon Resistor (chip) | 4.7 1/16W J | チップ抵抗 | | | 01 |
| -197 | RD353470 | Carbon Resistor (chip) | 4.7 1/16W J | チップ抵抗 | | | 01 |
| R0198 | RD354220 | Carbon Resistor (chip) | 22 1/16W J | チップ抵抗 | | | 01 |
| -201 | RD354220 | Carbon Resistor (chip) | 22 1/16W J | チップ抵抗 | | | 01 |
| R0202 | VC752900 | Metal Oxide Film Resistor | 0.47 2W J | 酸化金属被膜抵抗 | | | 01 |
| -209 | VC752900 | Metal Oxide Film Resistor | 0.47 2W J | 酸化金属被膜抵抗 | | | 01 |
| R0210 | RD353470 | Carbon Resistor (chip) | 4.7 1/16W J | チップ抵抗 | | | 01 |
| -213 | RD353470 | Carbon Resistor (chip) | 4.7 1/16W J | チップ抵抗 | | | 01 |
| R0214 | RD354220 | Carbon Resistor (chip) | 22 1/16W J | チップ抵抗 | | | 01 |
| -217 | RD354220 | Carbon Resistor (chip) | 22 1/16W J | チップ抵抗 | | | 01 |
| R0218 | VC752900 | Metal Oxide Film Resistor | 0.47 2W J | 酸化金属被膜抵抗 | | | 01 |
| -225 | VC752900 | Metal Oxide Film Resistor | 0.47 2W J | 酸化金属被膜抵抗 | | | 01 |
| R0226 | RD158100 | Carbon Resistor (chip) | 100K 1/4W J | チップ抵抗 | | | 01 |
| -229 | RD158100 | Carbon Resistor (chip) | 100K 1/4W J | チップ抵抗 | | | 01 |
| R0230 | RF355200 | Carbon Resistor (chip) | 200 1/16W D | チップ抵抗 | | | 01 |
| R0232 | RD357680 | Carbon Resistor (chip) | 68K 1/16W J | チップ抵抗 | | | 01 |
| R0233 | RD357680 | Carbon Resistor (chip) | 68K 1/16W J | チップ抵抗 | | | 01 |
| R0234 | RD358470 | Carbon Resistor (chip) | 470K 1/16W J | チップ抵抗 | | | 01 |
| R0235 | RD356470 | Carbon Resistor (chip) | 4.7K 1/16W J | チップ抵抗 | | | 01 |
| R0236 | RD358470 | Carbon Resistor (chip) | 470K 1/16W J | チップ抵抗 | | | 01 |
| R0237 | RD356470 | Carbon Resistor (chip) | 4.7K 1/16W J | チップ抵抗 | | | 01 |
| R0238 | RD358470 | Carbon Resistor (chip) | 470K 1/16W J | チップ抵抗 | | | 01 |
| R0239 | RD358470 | Carbon Resistor (chip) | 470K 1/16W J | チップ抵抗 | | | 01 |
| R0240 | RD357330 | Carbon Resistor (chip) | 33K 1/16W J | チップ抵抗 | | | 01 |
| R0241 | RD356470 | Carbon Resistor (chip) | 4.7K 1/16W J | チップ抵抗 | | | 01 |
| R0242 | RD356430 | Carbon Resistor (chip) | 4.3K 1/16W J | チップ抵抗 | | | 01 |
| R0243 | RD357330 | Carbon Resistor (chip) | 33K 1/16W J | チップ抵抗 | | | 01 |
| R0244 | RD357330 | Carbon Resistor (chip) | 33K 1/16W J | チップ抵抗 | | | 01 |
| R0245 | RD356470 | Carbon Resistor (chip) | 4.7K 1/16W J | チップ抵抗 | | | 01 |
| R0246 | RD356430 | Carbon Resistor (chip) | 4.3K 1/16W J | チップ抵抗 | | | 01 |
| R0247 | RD357330 | Carbon Resistor (chip) | 33K 1/16W J | チップ抵抗 | | | 01 |
| R0248 | RD358470 | Carbon Resistor (chip) | 470K 1/16W J | チップ抵抗 | | | 01 |
| R0249 | RD358470 | Carbon Resistor (chip) | 470K 1/16W J | チップ抵抗 | | | 01 |
| R0250 | RD358240 | Carbon Resistor (chip) | 240K 1/16W J | チップ抵抗 | | | 01 |
| R0251 | RD358240 | Carbon Resistor (chip) | 240K 1/16W J | チップ抵抗 | | | 01 |
| R0252 | RD156470 | Carbon Resistor (chip) | 4.7K 1/4W J | チップ抵抗 | | | 01 |
| -254 | RD156470 | Carbon Resistor (chip) | 4.7K 1/4W J | チップ抵抗 | | | 01 |
| R0255 | RD356470 | Carbon Resistor (chip) | 4.7K 1/16W J | チップ抵抗 | | | 01 |
| R0256 | RD356470 | Carbon Resistor (chip) | 4.7K 1/16W J | チップ抵抗 | | | 01 |
| R0257 | RD156470 | Carbon Resistor (chip) | 4.7K 1/4W J | チップ抵抗 | | | 01 |
| -259 | RD156470 | Carbon Resistor (chip) | 4.7K 1/4W J | チップ抵抗 | | | 01 |
| R0260 | RD356470 | Carbon Resistor (chip) | 4.7K 1/16W J | チップ抵抗 | | | 01 |
| R0261 | RD356470 | Carbon Resistor (chip) | 4.7K 1/16W J | チップ抵抗 | | | 01 |
| R0262 | RD354470 | Carbon Resistor (chip) | 47 1/16W J | チップ抵抗 | | | 01 |
| -265 | RD354470 | Carbon Resistor (chip) | 47 1/16W J | チップ抵抗 | | | 01 |
| R0266 | VC741700 | Metal Oxide Film Resistor | 4.7 1W J | 酸化金属被膜抵抗 | | | 01 |
| -269 | VC741700 | Metal Oxide Film Resistor | 4.7 1W J | 酸化金属被膜抵抗 | | | 01 |
| R0270 | RD357680 | Carbon Resistor (chip) | 68K 1/16W J | チップ抵抗 | | | 01 |
| R0271 | RD356390 | Carbon Resistor (chip) | 3.9K 1/16W J | チップ抵抗 | | | 01 |
| R0272 | VC763500 | Metal Oxide Film Resistor | 6.8K 2W J | 酸化金属被膜抵抗 | | | 01 |
| R0273 | RD157470 | Carbon Resistor (chip) | 47K 1/4W J | チップ抵抗 | | | 01 |
| R0274 | RD156470 | Carbon Resistor (chip) | 4.7K 1/4W J | チップ抵抗 | | | 01 |
| R0275 | RD156470 | Carbon Resistor (chip) | 4.7K 1/4W J | チップ抵抗 | | | 01 |
| R0276 | RD357100 | Carbon Resistor (chip) | 10K 1/16W J | チップ抵抗 | | | 01 |
| R0280 | RD156680 | Carbon Resistor (chip) | 6.8K 1/4W J | チップ抵抗 | | | 01 |
| R0281 | RD156680 | Carbon Resistor (chip) | 6.8K 1/4W J | チップ抵抗 | | | 01 |
| R0284 | RD153470 | Carbon Resistor (chip) | 4.7 1/4W J | チップ抵抗 | | | 01 |
| R0285 | VC763500 | Metal Oxide Film Resistor | 6.8K 2W J | 酸化金属被膜抵抗 | | | 01 |
| R0286 | RD357100 | Carbon Resistor (chip) | 10K 1/16W J | チップ抵抗 | | | 01 |
| -289 | RD357100 | Carbon Resistor (chip) | 10K 1/16W J | チップ抵抗 | | | 01 |
| R0290 | RD356470 | Carbon Resistor (chip) | 4.7K 1/16W J | チップ抵抗 | | | 01 |
| R0291 | RD356470 | Carbon Resistor (chip) | 4.7K 1/16W J | チップ抵抗 | | | 01 |
| R0292 | RD157470 | Carbon Resistor (chip) | 47K 1/4W J | チップ抵抗 | | | 01 |
| R0293 | RD157470 | Carbon Resistor (chip) | 47K 1/4W J | チップ抵抗 | | | 01 |
| R0294 | RD353470 | Carbon Resistor (chip) | 4.7 1/16W J | チップ抵抗 | | | 01 |
| R0295 | RD353470 | Carbon Resistor (chip) | 4.7 1/16W J | チップ抵抗 | | | 01 |
| R0301 | RF355200 | Carbon Resistor (chip) | 200 1/16W D | チップ抵抗 | | | 01 |
| VR101 | VA788000 | Trimmer Potentiometer | B10K AX 3P | 半固定V R | MAX. POWER ADJ. CH B | | 01 |
| VR102 | VA788000 | Trimmer Potentiometer | B10K AX 3P | 半固定V R | MAX. POWER ADJ. CH A | | 01 |

*: New Parts

RANK: Japan only

PA & PS

| REF NO. | PART NO. | DESCRIPTION | | 部 品 名 | REMARKS | QTY | RANK |
|---------|----------|----------------------------|--------------------|---------------------|------------------------|-----------|------|
| VR103 | VA787500 | Trimmer Potentiometer | B470 AX 3P | 半 固 定 V R | IDLE CURRENT ADJ. CH B | | 01 |
| VR104 | VA787500 | Trimmer Potentiometer | B470 AX 3P | 半 固 定 V R | IDLE CURRENT ADJ. CH A | | 01 |
| * W101 | WG094500 | Connector Assembly | B&C | 束 線 | | | |
| * W102 | WG094400 | Connector Assembly | B&C | 束 線 | | | |
| * W103 | WG094600 | Connector Assembly | B&C | 束 線 | | | |
| * W104 | WG093600 | Connector Assembly | B&C | 束 線 | | | |
| * W105 | WG094000 | Connector Assembly | B&C | 束 線 | | | |
| * W106 | WG093700 | Connector Assembly | B&C | 束 線 | | | |
| * W107 | WG093800 | Connector Assembly | B&C | 束 線 | | | |
| * -- | WG970400 | Circuit Board | PS | P S シ - ト | (X6827D0) | | |
| * -- | WG970500 | Circuit Board | PS | P S シ - ト | (X6827D0) | | |
| * -- | WG970600 | Circuit Board | PS | P S シ - ト | H,B,O,K | | |
| * -- | WG970700 | Circuit Board | PS | P S シ - ト | A | (X6827D0) | |
| * -- | -- | Jumper Wire | 0.55 TIN | ジ ャ ン パ ー 線 | (VA07890) | | |
| * -- | -- | Heat Sink Unit | | ヒ ー ト シ ン ク ユ ニ ッ ト | J | (WF62580) | |
| * -- | -- | Heat Sink Unit | | ヒ ー ト シ ン ク ユ ニ ッ ト | U,H,B,O,A,K | (WF62600) | |
| * -- | -- | Heat Sink Unit | | ヒ ー ト シ ン ク ユ ニ ッ ト | | (WG09900) | |
| * -- | -- | Heat Sink Unit | | ヒ ー ト シ ン ク ユ ニ ッ ト | | (WG09860) | 2 |
| * -- | -- | Heat Sink Unit | | ヒ ー ト シ ン ク ユ ニ ッ ト | | (WG09850) | |
| * -- | -- | Heat Sink Unit | | ヒ ー ト シ ン ク ユ ニ ッ ト | | (WG09820) | |
| * -- | VA119100 | Heat Sink | SNAP-ON MOUNT TYPE | ヒ ー ト シ ン ク | | | 01 |
| * -- | WG720100 | Cord Holder | KI-250ST KITAGAWA | イ ン シ ュ ロ ッ ク タイ | | | |
| * -- | WA772200 | Fuse Holder | PIN WL-211 | ヒ ュ ー ズ ホ ル ダ | J,U | | 2 |
| * -- | VU801500 | Fuse Holder | PIN WL-210A | ヒ ュ ー ズ ホ ル ダ | H,B,O,A,K | | 2 |
| C402 | UA655100 | Mylar Capacitor | 0.1uF 50V J | マ イ ラ - コ ン | | | 01 |
| C403 | UR877470 | Electrolytic Cap. | 47uF 63V | ケ ミ コ ン | | | 01 |
| C404 | UR858220 | Electrolytic Cap. | 220uF 35V | ケ ミ コ ン | | | 01 |
| C405 | UR867100 | Electrolytic Cap. | 10uF 50V | ケ ミ コ ン | | | 01 |
| C406 | UA652470 | Mylar Capacitor | 470pF 50V J | マ イ ラ - コ ン | | | 01 |
| C408 | UR867100 | Electrolytic Cap. | 10uF 50V | ケ ミ コ ン | | | 01 |
| C409 | WE739300 | Electrolytic Cap. | 2200uF 200V | ケ ミ コ ン | | | |
| C410 | WE739300 | Electrolytic Cap. | 2200uF 200V | ケ ミ コ ン | | | |
| C411 | WB543800 | Polypropylene Capacitor | 0.47uF 400V J | P P コ ン | J | | |
| * C411 | WG434900 | Polypropylene Capacitor | 0.27uF 400V J | P P コ ン | U,H,B,O,A,K | | |
| * C412 | WB543800 | Polypropylene Capacitor | 0.47uF 400V J | P P コ ン | J | | |
| * C412 | WG434900 | Polypropylene Capacitor | 0.27uF 400V J | P P コ ン | U,H,B,O,A,K | | |
| C414 | UA652470 | Mylar Capacitor | 470pF 50V J | マ イ ラ - コ ン | | | 01 |
| C415 | UA655100 | Mylar Capacitor | 0.1uF 50V J | マ イ ラ - コ ン | | | 01 |
| C416 | UR866100 | Electrolytic Cap. | 1.0uF 50V | ケ ミ コ ン | | | 01 |
| C417 | UA653470 | Mylar Capacitor | 4700pF 50V J | マ イ ラ - コ ン | | | 01 |
| C418 | FG651150 | Ceramic Capacitor-SL | 15pF 50V J | セ ラ コ ン (S L) | | | 01 |
| C422 | UA655100 | Mylar Capacitor | 0.1uF 50V J | マ イ ラ - コ ン | | | 01 |
| C423 | WD885500 | Electrolytic Cap. | 220uF 35V | ケ ミ コ ン P S | | | 01 |
| C424 | WE739600 | Electrolytic Cap. | 1000uF 100V | ケ ミ コ ン P W | J | | 04 |
| C424 | WE739500 | Electrolytic Cap. | 1000uF 63V | ケ ミ コ ン P W | U,H,B,O,A,K | | 03 |
| C425 | WE739500 | Electrolytic Cap. | 1000uF 63V | ケ ミ コ ン P W | | | 03 |
| C426 | WE739500 | Electrolytic Cap. | 1000uF 63V | ケ ミ コ ン P W | | | 03 |
| C427 | WE739600 | Electrolytic Cap. | 1000uF 100V | ケ ミ コ ン P W | J | | 04 |
| C427 | WE739500 | Electrolytic Cap. | 1000uF 63V | ケ ミ コ ン P W | U,H,B,O,A,K | | 03 |
| C428 | UR858220 | Electrolytic Cap. | 220uF 35V | ケ ミ コ ン | | | 01 |
| C429 | UR867100 | Electrolytic Cap. | 10uF 50V | ケ ミ コ ン | | | 01 |
| C434 | UR858100 | Electrolytic Cap. | 100uF 35V | ケ ミ コ ン | | | 01 |
| C440 | UA654100 | Mylar Capacitor | 0.01uF 50V J | マ イ ラ - コ ン | | | 01 |
| C441 | VR168300 | Monolithic Mylar Capacitor | 0.1uF 50V J | 積 層 マ イ ラ - コ ン | | | 01 |
| C442 | FG613680 | Ceramic Capacitor-B | 6800pF 50V K | セ ラ コ ン (B) | | | 01 |
| C443 | WE739500 | Electrolytic Cap. | 1000uF 63V | ケ ミ コ ン P W | | | 03 |
| C444 | WE739500 | Electrolytic Cap. | 1000uF 63V | ケ ミ コ ン P W | | | 03 |
| C447 | UA655100 | Mylar Capacitor | 0.1uF 50V J | マ イ ラ - コ ン | | | 01 |
| C448 | UR867100 | Electrolytic Cap. | 10uF 50V | ケ ミ コ ン | | | 01 |
| C449 | UA652470 | Mylar Capacitor | 470pF 50V J | マ イ ラ - コ ン | | | 01 |
| C450 | WF723700 | Ceramic Capacitor-B | 150pF 1KV K | セ ラ コ ン B | | | |
| C451 | WF723700 | Ceramic Capacitor-B | 150pF 1KV K | セ ラ コ ン B | | | |
| C452 | VR168300 | Monolithic Mylar Capacitor | 0.1uF 50V J | 積 層 マ イ ラ - コ ン | | | 01 |
| C901 | WD885400 | Electrolytic Cap. | 470uF 50V | ケ ミ コ ン P S | | | 01 |
| C902 | WD885400 | Electrolytic Cap. | 470uF 50V | ケ ミ コ ン P S | | | 01 |
| C903 | VF611200 | Monolithic Ceramic Cap. | 0.1uF 50V Z | 積 層 セ ラ コ ン | | | 02 |
| C904 | VF611200 | Monolithic Ceramic Cap. | 0.1uF 50V Z | 積 層 セ ラ コ ン | | | 02 |
| C905 | UR867100 | Electrolytic Cap. | 10uF 50V | ケ ミ コ ン | | | 01 |
| C906 | UR867100 | Electrolytic Cap. | 10uF 50V | ケ ミ コ ン | | | 01 |

*: New Parts

RANK: Japan only

PS

| REF NO. | PART NO. | DESCRIPTION | | 部 品 名 | REMARKS | QTY | RANK |
|---------|----------|-------------------------|--------------------|----------------|------------------|-----|------|
| C907 | VF611200 | Monolithic Ceramic Cap. | 0.1uF 50V Z | 積層セラコン | | | 02 |
| C908 | VF611200 | Monolithic Ceramic Cap. | 0.1uF 50V Z | 積層セラコン | | | 02 |
| C909 | UR867100 | Electrolytic Cap. | 10uF 50V | ケミコン | | | 01 |
| C910 | UR867100 | Electrolytic Cap. | 10uF 50V | ケミコン | | | 01 |
| C911 | VF611200 | Monolithic Ceramic Cap. | 0.1uF 50V Z | 積層セラコン | | | 02 |
| C912 | UR867100 | Electrolytic Cap. | 10uF 50V | ケミコン | | | 01 |
| C915 | WD885400 | Electrolytic Cap. | 470uF 50V | ケミコン P S | | | 01 |
| C917 | VF611200 | Monolithic Ceramic Cap. | 0.1uF 50V Z | 積層セラコン | | | 02 |
| C920 | UR867100 | Electrolytic Cap. | 10uF 50V | ケミコン | | | 01 |
| C922 | WD399600 | Electrolytic Cap. | 100uF 160V | ケミコン | | | |
| C923 | WD399600 | Electrolytic Cap. | 100uF 160V | ケミコン | | | |
| C924 | UR896470 | Electrolytic Cap. | 4.7uF 100V | ケミコン | | | 01 |
| C925 | VF611200 | Monolithic Ceramic Cap. | 0.1uF 50V Z | 積層セラコン | | | 02 |
| C926 | UR867100 | Electrolytic Cap. | 10uF 50V | ケミコン | | | 01 |
| C927 | UR877470 | Electrolytic Cap. | 47uF 63V | ケミコン | | | 01 |
| C932 | FG613680 | Ceramic Capacitor-B | 6800pF 50V K | セラコン (B) | | | 01 |
| C933 | VF611200 | Monolithic Ceramic Cap. | 0.1uF 50V Z | 積層セラコン | | | 02 |
| -936 | VF611200 | Monolithic Ceramic Cap. | 0.1uF 50V Z | 積層セラコン | | | 02 |
| CN402 | VZ005700 | Fasten Terminal | TP82223-22 | ダイオード | | | 01 |
| CN404 | VB389800 | Connector Base Post | PH 2P TE | ダイオード | | | 01 |
| CN405 | VZ005700 | Fasten Terminal | TP82223-22 | ダイオード | | | 01 |
| -410 | VZ005700 | Fasten Terminal | TP82223-22 | ダイオード | | | 01 |
| CN901 | VB390400 | Base Post | PH 8P TE | ダイオード | | | 01 |
| CN902 | VK025800 | Wire Trap | 52147 14P TE | ツェナーダイオード | | | 01 |
| CN903 | VB390100 | Connector Base Post | PH 5P TE | ダイオード | | | 01 |
| CN904 | VB390200 | Connector Base Post | PH 6P TE | ダイオード | | | 01 |
| CN905 | VB389800 | Connector Base Post | PH 2P TE | ダイオード | | | 01 |
| CN906 | VB390000 | Base Post | PH 4P TE | ダイオード | | | 01 |
| D402 | VD631600 | Diode | 1SS133,176,HSS104 | ファストン端子 | | | 01 |
| -405 | VD631600 | Diode | 1SS133,176,HSS104 | コネクタベースポスト | | | 01 |
| D409 | VD631600 | Diode | 1SS133,176,HSS104 | ファストン端子 | | | 01 |
| D411 | WA757600 | Diode | AL01Z | ファストン端子 | | | 05 |
| D427 | WD543900 | Diode | 1N4004 DO-41 | ベースポスト | | | |
| D428 | VG440800 | Zener Diode | MTZ J 15B 15V | ワイヤートラップ | | | 01 |
| D430 | VD631600 | Diode | 1SS133,176,HSS104 | コネクタベースポスト | | | 01 |
| D431 | V8629800 | Diode | AG01A WS | コネクタベースポスト | | | 01 |
| D901 | WG968200 | Diode | AL01ZWK | コネクタベースポスト | | | |
| -904 | WG968200 | Diode | AL01ZWK | ベースポスト | | | |
| D905 | VN771700 | Diode | D1NS4 | ダイオード | | | 01 |
| -913 | VN771700 | Diode | D1NS4 | ダイオード | | | 01 |
| D915 | WA757600 | Diode | AL01Z | ダイオード | | | 05 |
| D916 | WA757600 | Diode | AL01Z | ダイオード | | | 05 |
| D920 | VN771700 | Diode | D1NS4 | ダイオード | | | 01 |
| D922 | WA757600 | Diode | AL01Z | ダイオード | | | 05 |
| D923 | WA757600 | Diode | AL01Z | ダイオード | | | 05 |
| D924 | WD543900 | Diode | 1N4004 DO-41 | ダイオード | | | |
| -927 | WD543900 | Diode | 1N4004 DO-41 | ダイオード | | | |
| D928 | V8629800 | Diode | AG01A WS | ダイオード | | | 01 |
| F401 | V8932100 | Fuse | 20A 250V JU | ヒューズ 2 5 0 V | J | | 03 |
| F401 | KB001380 | Fuse | 15A 250V JUC | ヒューズ 2 5 0 V | U | | 04 |
| F401 | V5742500 | Fuse | TH 8A 250V | ヒューズ 2 5 0 V | H,B,O,A,K | | 01 |
| IC401 | X2383A00 | IC | SG3525AN | I | C REGULATOR | | 03 |
| IC402 | X5908A00 | IC | L6385 | I | C DRIVER | | 04 |
| IC403 | XJ603A00 | IC | NJM78M15FA | I | C REGULATOR +15V | | 02 |
| J401 | VV291400 | Jumper Wire | 0.60 TIN AX TP | ジャンパー線 | J,U | | 01 |
| -403 | VV291400 | Jumper Wire | 0.60 TIN AX TP | ジャンパー線 | H,B,O,A,K | | 01 |
| J901 | VV291400 | Jumper Wire | 0.60 TIN AX TP | ジャンパー線 | | | 01 |
| K902 | VB966900 | Style Pin | IMSA-6024 L=35 | スタイルピン L = 3 5 | | | 01 |
| -907 | VB966900 | Style Pin | IMSA-6024 L=35 | スタイルピン L = 3 5 | | | 01 |
| L901 | GE300670 | Ferrite Bead | BL02RN2-R62T4 | フェライトビーズ | | | 02 |
| -903 | GE300670 | Ferrite Bead | BL02RN2-R62T4 | フェライトビーズ | | | 02 |
| PH401 | V8100500 | Photo Coupler | TLP421 GR | フォトカプラ | | | 01 |
| PR901 | VM850600 | Positive Thermistor | PTFM04BD222Q2N34B0 | ボジスタ | J | | 04 |
| PR901 | VM850500 | Positive Thermistor | PTFM04BF222Q2N34B0 | ボジスタ | U,H,B,O,A,K | | 04 |
| Q401 | VV911900 | Digital Transistor | DTC114ESA | デジタルトランジスタ | | | 01 |
| Q402 | V2797600 | Transistor | 2SA1993 E,F | トランジスタ | | | 01 |
| Q403 | VV911900 | Digital Transistor | DTC114ESA | デジタルトランジスタ | | | 01 |
| Q404 | WG428800 | Digital Transistor | DTA114ESA TP | デジタルトランジスタ | | | |
| Q405 | V8093300 | Transistor | 2SA1924 | トランジスタ | | | 02 |
| Q408 | VV911900 | Digital Transistor | DTC114ESA | デジタルトランジスタ | | | 01 |

*: New Parts

RANK: Japan only

PS

| REF NO. | PART NO. | DESCRIPTION | 部 品 名 | REMARKS | QTY | RANK |
|---------|----------|---------------------------|------------------|------------|-------------|------|
| Q410 | V2797700 | Transistor | 2SC5395 E,F | トランジスタ | | 01 |
| Q411 | V2797600 | Transistor | 2SA1993 E,F | トランジスタ | | 01 |
| Q412 | V2797700 | Transistor | 2SC5395 E,F | トランジスタ | | 01 |
| Q413 | V2797700 | Transistor | 2SC5395 E,F | トランジスタ | | 01 |
| Q417 | V2797600 | Transistor | 2SA1993 E,F | トランジスタ | | 01 |
| Q418 | VV911900 | Digital Transistor | DTC114ESA | デジタルトランジスタ | | 01 |
| R403 | HF457100 | Carbon Resistor | 10K 1/4W J | カーボン抵抗 | | 01 |
| R404 | HB027200 | Metal Film Resistor | 20.0K 1/4W F | 金属被膜抵抗 | J | |
| R404 | HB027180 | Metal Film Resistor | 18K 1/4W F | 金属被膜抵抗 | U,H,B,O,A,K | 01 |
| R405 | HF457120 | Carbon Resistor | 12K 1/4W J | カーボン抵抗 | | 01 |
| R406 | HF457120 | Carbon Resistor | 12K 1/4W J | カーボン抵抗 | | 01 |
| R407 | HF455330 | Carbon Resistor | 330 1/4W J | カーボン抵抗 | J | 01 |
| R407 | HF455820 | Carbon Resistor | 820 1/4W J | カーボン抵抗 | U,H,B,O,A,K | 01 |
| R408 | VC766300 | Metal Oxide Film Resistor | 100K 2W J | 酸化金属被膜抵抗 | | 01 |
| R409 | VC766300 | Metal Oxide Film Resistor | 100K 2W J | 酸化金属被膜抵抗 | | 01 |
| R410 | HF456470 | Carbon Resistor | 4.7K 1/4W J | カーボン抵抗 | | 01 |
| R411 | HF458120 | Carbon Resistor | 120K 1/4W J | カーボン抵抗 | | 01 |
| R412 | HF457100 | Carbon Resistor | 10K 1/4W J | カーボン抵抗 | | 01 |
| R413 | HF457100 | Carbon Resistor | 10K 1/4W J | カーボン抵抗 | | 01 |
| R414 | HF457240 | Carbon Resistor | 24K 1/4W J | カーボン抵抗 | | 01 |
| R415 | HF457240 | Carbon Resistor | 24K 1/4W J | カーボン抵抗 | | 01 |
| R417 | HF457100 | Carbon Resistor | 10K 1/4W J | カーボン抵抗 | | 01 |
| R418 | VN067400 | Wire Wound Resistor | 6.8 5W K | セメント抵抗 | | 03 |
| R419 | HV754330 | Flame Proof C. Resistor | 33 1/4W J | 不燃化カーボン抵抗 | | 01 |
| R420 | HF457330 | Carbon Resistor | 33K 1/4W J | カーボン抵抗 | | 01 |
| R421 | HV754330 | Flame Proof C. Resistor | 33 1/4W J | 不燃化カーボン抵抗 | | 01 |
| R422 | HF457100 | Carbon Resistor | 10K 1/4W J | カーボン抵抗 | | 01 |
| R423 | HF457100 | Carbon Resistor | 10K 1/4W J | カーボン抵抗 | | 01 |
| R424 | VN067400 | Wire Wound Resistor | 6.8 5W K | セメント抵抗 | | 03 |
| R425 | HF457100 | Carbon Resistor | 10K 1/4W J | カーボン抵抗 | | 01 |
| R426 | VZ370200 | Wire Wound Resistor | 0.1 5W K | セメント抵抗 | | 01 |
| R427 | VZ370200 | Wire Wound Resistor | 0.1 5W K | セメント抵抗 | | 01 |
| R428 | HF456510 | Carbon Resistor | 5.1K 1/4W J | カーボン抵抗 | | 01 |
| R429 | HV753100 | Flame Proof C. Resistor | 1.0 1/4W J | 不燃化カーボン抵抗 | | 01 |
| R430 | HV753100 | Flame Proof C. Resistor | 1.0 1/4W J | 不燃化カーボン抵抗 | | 01 |
| R431 | HF456510 | Carbon Resistor | 5.1K 1/4W J | カーボン抵抗 | | 01 |
| R432 | HF457470 | Carbon Resistor | 47K 1/4W J | カーボン抵抗 | | 01 |
| R433 | HF457330 | Carbon Resistor | 33K 1/4W J | カーボン抵抗 | | 01 |
| R434 | HF457300 | Carbon Resistor | 30K 1/4W J | カーボン抵抗 | | 01 |
| R436 | HF457820 | Carbon Resistor | 82K 1/4W J | カーボン抵抗 | | 01 |
| R437 | HF457100 | Carbon Resistor | 10K 1/4W J | カーボン抵抗 | | 01 |
| R448 | HF456120 | Carbon Resistor | 1.2K 1/4W J | カーボン抵抗 | | 01 |
| R449 | HF456470 | Carbon Resistor | 4.7K 1/4W J | カーボン抵抗 | | 01 |
| R450 | HF457240 | Carbon Resistor | 24K 1/4W J | カーボン抵抗 | | 01 |
| R451 | HF457240 | Carbon Resistor | 24K 1/4W J | カーボン抵抗 | | 01 |
| R452 | HF457100 | Carbon Resistor | 10K 1/4W J | カーボン抵抗 | | 01 |
| R453 | HV753100 | Flame Proof C. Resistor | 1.0 1/4W J | 不燃化カーボン抵抗 | | 01 |
| R454 | HV753100 | Flame Proof C. Resistor | 1.0 1/4W J | 不燃化カーボン抵抗 | | 01 |
| R457 | HF456510 | Carbon Resistor | 5.1K 1/4W J | カーボン抵抗 | | 01 |
| R458 | VC765100 | Metal Oxide Film Resistor | 33K 2W J | 酸化金属被膜抵抗 | | |
| R459 | VC742100 | Metal Oxide Film Resistor | 6.8 1W J | 酸化金属被膜抵抗 | | |
| R460 | VC742100 | Metal Oxide Film Resistor | 6.8 1W J | 酸化金属被膜抵抗 | | |
| R461 | HF453680 | Carbon Resistor | 6.8 1/4W J | カーボン抵抗 | | 01 |
| R901 | HV753100 | Flame Proof C. Resistor | 1.0 1/4W J | 不燃化カーボン抵抗 | | 01 |
| R904 | HV753100 | Flame Proof C. Resistor | 1.0 1/4W J | 不燃化カーボン抵抗 | | 01 |
| R905 | HF457100 | Carbon Resistor | 10K 1/4W J | カーボン抵抗 | | 01 |
| R906 | HF457220 | Carbon Resistor | 22K 1/4W J | カーボン抵抗 | | 01 |
| R907 | HF457150 | Carbon Resistor | 15K 1/4W J | カーボン抵抗 | | 01 |
| R908 | HF455120 | Carbon Resistor | 120 1/4W J | カーボン抵抗 | | 01 |
| R909 | HF455120 | Carbon Resistor | 120 1/4W J | カーボン抵抗 | | 01 |
| R910 | HV753470 | Flame Proof C. Resistor | 4.7 1/4W J | 不燃化カーボン抵抗 | | 01 |
| R911 | HV753470 | Flame Proof C. Resistor | 4.7 1/4W J | 不燃化カーボン抵抗 | | 01 |
| R912 | HF456470 | Carbon Resistor | 4.7K 1/4W J | カーボン抵抗 | | 01 |
| R913 | HF457470 | Carbon Resistor | 47K 1/4W J | カーボン抵抗 | | 01 |
| R914 | HF454560 | Carbon Resistor | 56 1/4W J | カーボン抵抗 | | 01 |
| R915 | HV753470 | Flame Proof C. Resistor | 4.7 1/4W J | 不燃化カーボン抵抗 | | 01 |
| RY401 | VZ003600 | Relay | DC OSZ-SS-124DM8 | リレー 24V | | 05 |
| T401 | X6935A00 | Power Transformer | DENAN E | 電源トランス | J | |
| T401 | X6936A00 | Power Transformer | UL CSA B E | 電源トランス | U,H,B,O,A,K | |
| T901 | X7340A00 | Power Transformer | DENANHOU A | 電源トランス | J | |

*: New Parts

RANK: Japan only

PS & STMAS

| REF NO. | PART NO. | DESCRIPTION | | 部 品 名 | REMARKS | QTY | RANK |
|---------|-----------|----------------------------|-----------------|-------------------|-----------|-----|------|
| * T901 | X7341 A00 | Power Transformer | UL,CSA A | 電 源 ト ラ ン ス | U | | |
| * T901 | X7343 A00 | Power Transformer | CE A | 電 源 ト ラ ン ス | H,B,O,K | | |
| * T901 | X7344 A00 | Power Transformer | CE A 240V | 電 源 ト ラ ン ス | A | | |
| ZD901 | VG442900 | Zener Diode | MTZ J 27B 27V | ツェナーダイオード | | | 01 |
| ZD902 | VG443700 | Zener Diode | MTZ J 33B 33V | ツェナーダイオード | | | 01 |
| ZD903 | VG441100 | Zener Diode | MTZ J 16B 16V | ツェナーダイオード | | | 01 |
| ZD904 | VG442900 | Zener Diode | MTZ J 27B 27V | ツェナーダイオード | | | 01 |
| ZD905 | VG438900 | Zener Diode | MTZ J 8.2B 8.2V | ツェナーダイオード | | | 01 |
| ZD906 | VG440200 | Zener Diode | MTZ J 12B 12V | ツェナーダイオード | | | 01 |
| | WF532900 | Circuit Board | STMAS | S T M A S シ ー ト | (X6825C0) | | |
| | - | Jumper Wire | 0.55 TIN | ジ ャ ン パ ー 線 | (VA07890) | | |
| | WE877900 | Bind Head Tapping Screw-S | 3x6 MFZN2W3 | S タ イ ト + B I N D | | 12 | 01 |
| | WD939600 | Hexagonal Spacer | L=16 | 6 角 ス ペ ー サ ー M 3 | | 12 | |
| | - | Spacer LED3 | | ス ペ ー サ L E D 3 | (WF76580) | 20 | |
| C101 | UA653390 | Mylar Capacitor | 3900pF 50V J | マ イ ラ ー コ ン | | | 01 |
| C102 | UA653390 | Mylar Capacitor | 3900pF 50V J | マ イ ラ ー コ ン | | | 01 |
| C103 | UA654100 | Mylar Capacitor | 0.01uF 50V J | マ イ ラ ー コ ン | | | 01 |
| C104 | UA654120 | Mylar Capacitor | 0.012uF 50V J | マ イ ラ ー コ ン | | | 01 |
| C105 | UA654100 | Mylar Capacitor | 0.01uF 50V J | マ イ ラ ー コ ン | | | 01 |
| C106 | UA654120 | Mylar Capacitor | 0.012uF 50V J | マ イ ラ ー コ ン | | | 01 |
| C107 | UA654150 | Mylar Capacitor | 0.015uF 50V J | マ イ ラ ー コ ン | | | 01 |
| C108 | UA654150 | Mylar Capacitor | 0.015uF 50V J | マ イ ラ ー コ ン | | | 01 |
| C109 | US061270 | Ceramic Capacitor-CH(chip) | 27pF 50V J | チ ッ プ セ ラ (C H) | | | 01 |
| C110 | US062100 | Ceramic Capacitor-SL(chip) | 100pF 50V J | チ ッ プ セ ラ (S L) | | | 01 |
| C111 | US061270 | Ceramic Capacitor-CH(chip) | 27pF 50V J | チ ッ プ セ ラ (C H) | | | 01 |
| C112 | US062100 | Ceramic Capacitor-SL(chip) | 100pF 50V J | チ ッ プ セ ラ (S L) | | | 01 |
| C113 | UR857470 | Electrolytic Cap. | 47uF 35V | ケ ミ コ ン | | | 01 |
| C114 | UR857470 | Electrolytic Cap. | 47uF 35V | ケ ミ コ ン | | | 01 |
| C115 | US063100 | Ceramic Capacitor-B (chip) | 1000pF 50V K | チ ッ プ セ ラ (B) | | | 01 |
| C116 | UR857470 | Electrolytic Cap. | 47uF 35V | ケ ミ コ ン | | | 01 |
| C117 | UR857470 | Electrolytic Cap. | 47uF 35V | ケ ミ コ ン | | | 01 |
| C118 | UR866220 | Electrolytic Cap. | 2.2uF 50V | ケ ミ コ ン | | | 01 |
| C119 | UR866470 | Electrolytic Cap. | 4.7uF 50V | ケ ミ コ ン | | | 01 |
| C120 | UR867220 | Electrolytic Cap. | 22uF 50V | ケ ミ コ ン | | | 01 |
| C121 | UR867100 | Electrolytic Cap. | 10uF 50V | ケ ミ コ ン | | | 01 |
| C122 | UR867100 | Electrolytic Cap. | 10uF 50V | ケ ミ コ ン | | | 01 |
| C123 | US062100 | Ceramic Capacitor-SL(chip) | 100pF 50V J | チ ッ プ セ ラ (S L) | | | 01 |
| -126 | US062100 | Ceramic Capacitor-SL(chip) | 100pF 50V J | チ ッ プ セ ラ (S L) | | | 01 |
| C127 | US061470 | Ceramic Capacitor-CH(chip) | 47pF 50V J | チ ッ プ セ ラ (C H) | | | 01 |
| C128 | US061470 | Ceramic Capacitor-CH(chip) | 47pF 50V J | チ ッ プ セ ラ (C H) | | | 01 |
| C129 | UR857470 | Electrolytic Cap. | 47uF 35V | ケ ミ コ ン | | | 01 |
| C130 | UR857470 | Electrolytic Cap. | 47uF 35V | ケ ミ コ ン | | | 01 |
| C131 | US064100 | Ceramic Capacitor-B (chip) | 0.01uF 50V K | チ ッ プ セ ラ (B) | | | 01 |
| -138 | US064100 | Ceramic Capacitor-B (chip) | 0.01uF 50V K | チ ッ プ セ ラ (B) | | | 01 |
| C201 | UA653390 | Mylar Capacitor | 3900pF 50V J | マ イ ラ ー コ ン | | | 01 |
| C202 | UA653390 | Mylar Capacitor | 3900pF 50V J | マ イ ラ ー コ ン | | | 01 |
| C203 | UA654100 | Mylar Capacitor | 0.01uF 50V J | マ イ ラ ー コ ン | | | 01 |
| C204 | UA654120 | Mylar Capacitor | 0.012uF 50V J | マ イ ラ ー コ ン | | | 01 |
| C205 | UA654100 | Mylar Capacitor | 0.01uF 50V J | マ イ ラ ー コ ン | | | 01 |
| C206 | UA654120 | Mylar Capacitor | 0.012uF 50V J | マ イ ラ ー コ ン | | | 01 |
| C207 | UA654150 | Mylar Capacitor | 0.015uF 50V J | マ イ ラ ー コ ン | | | 01 |
| C208 | UA654150 | Mylar Capacitor | 0.015uF 50V J | マ イ ラ ー コ ン | | | 01 |
| C209 | US061270 | Ceramic Capacitor-CH(chip) | 27pF 50V J | チ ッ プ セ ラ (C H) | | | 01 |
| C210 | US062100 | Ceramic Capacitor-SL(chip) | 100pF 50V J | チ ッ プ セ ラ (S L) | | | 01 |
| C211 | US061270 | Ceramic Capacitor-CH(chip) | 27pF 50V J | チ ッ プ セ ラ (C H) | | | 01 |
| C212 | US062100 | Ceramic Capacitor-SL(chip) | 100pF 50V J | チ ッ プ セ ラ (S L) | | | 01 |
| C213 | UR857470 | Electrolytic Cap. | 47uF 35V | ケ ミ コ ン | | | 01 |
| C214 | UR857470 | Electrolytic Cap. | 47uF 35V | ケ ミ コ ン | | | 01 |
| C215 | US063100 | Ceramic Capacitor-B (chip) | 1000pF 50V K | チ ッ プ セ ラ (B) | | | 01 |
| C216 | UR857470 | Electrolytic Cap. | 47uF 35V | ケ ミ コ ン | | | 01 |
| C217 | UR857470 | Electrolytic Cap. | 47uF 35V | ケ ミ コ ン | | | 01 |
| C218 | UR866220 | Electrolytic Cap. | 2.2uF 50V | ケ ミ コ ン | | | 01 |
| C219 | UR866470 | Electrolytic Cap. | 4.7uF 50V | ケ ミ コ ン | | | 01 |
| C220 | UR867220 | Electrolytic Cap. | 22uF 50V | ケ ミ コ ン | | | 01 |
| C221 | UR867100 | Electrolytic Cap. | 10uF 50V | ケ ミ コ ン | | | 01 |
| C222 | UR867100 | Electrolytic Cap. | 10uF 50V | ケ ミ コ ン | | | 01 |
| C223 | US062100 | Ceramic Capacitor-SL(chip) | 100pF 50V J | チ ッ プ セ ラ (S L) | | | 01 |
| -226 | US062100 | Ceramic Capacitor-SL(chip) | 100pF 50V J | チ ッ プ セ ラ (S L) | | | 01 |
| C227 | US061470 | Ceramic Capacitor-CH(chip) | 47pF 50V J | チ ッ プ セ ラ (C H) | | | 01 |

*: New Parts

RANK: Japan only

STMAS

| REF NO. | PART NO. | DESCRIPTION | | 部 品 名 | REMARKS | QTY | RANK |
|---------|----------|----------------------------|---------------|-------------------|---------|-----|------|
| C228 | US061470 | Ceramic Capacitor-CH(chip) | 47pF 50V J | チ ッ プ セ ラ (C H) | | | 01 |
| C229 | UR857470 | Electrolytic Cap. | 47uF 35V | ケ ミ コ ン | | | 01 |
| C230 | UR857470 | Electrolytic Cap. | 47uF 35V | ケ ミ コ ン | | | 01 |
| C231 | US064100 | Ceramic Capacitor-B (chip) | 0.01uF 50V K | チ ッ プ セ ラ (B) | | | 01 |
| -234 | US064100 | Ceramic Capacitor-B (chip) | 0.01uF 50V K | チ ッ プ セ ラ (B) | | | 01 |
| C301 | UA653390 | Mylar Capacitor | 3900pF 50V J | マ イ ラ - コ ン | | | 01 |
| C302 | UA653390 | Mylar Capacitor | 3900pF 50V J | マ イ ラ - コ ン | | | 01 |
| C303 | UA654100 | Mylar Capacitor | 0.01uF 50V J | マ イ ラ - コ ン | | | 01 |
| C304 | UA654120 | Mylar Capacitor | 0.012uF 50V J | マ イ ラ - コ ン | | | 01 |
| C305 | UA654100 | Mylar Capacitor | 0.01uF 50V J | マ イ ラ - コ ン | | | 01 |
| C306 | UA654120 | Mylar Capacitor | 0.012uF 50V J | マ イ ラ - コ ン | | | 01 |
| C307 | UA654150 | Mylar Capacitor | 0.015uF 50V J | マ イ ラ - コ ン | | | 01 |
| C308 | UA654150 | Mylar Capacitor | 0.015uF 50V J | マ イ ラ - コ ン | | | 01 |
| C309 | US061270 | Ceramic Capacitor-CH(chip) | 27pF 50V J | チ ッ プ セ ラ (C H) | | | 01 |
| C310 | US062100 | Ceramic Capacitor-SL(chip) | 100pF 50V J | チ ッ プ セ ラ (S L) | | | 01 |
| C311 | US061270 | Ceramic Capacitor-CH(chip) | 27pF 50V J | チ ッ プ セ ラ (C H) | | | 01 |
| C312 | US062100 | Ceramic Capacitor-SL(chip) | 100pF 50V J | チ ッ プ セ ラ (S L) | | | 01 |
| C313 | UR857470 | Electrolytic Cap. | 47uF 35V | ケ ミ コ ン | | | 01 |
| C314 | UR857470 | Electrolytic Cap. | 47uF 35V | ケ ミ コ ン | | | 01 |
| C315 | US063100 | Ceramic Capacitor-B (chip) | 1000pF 50V K | チ ッ プ セ ラ (B) | | | 01 |
| C316 | UR866470 | Electrolytic Cap. | 4.7uF 50V | ケ ミ コ ン | | | 01 |
| C317 | UR867100 | Electrolytic Cap. | 10uF 50V | ケ ミ コ ン | | | 01 |
| C318 | UR867100 | Electrolytic Cap. | 10uF 50V | ケ ミ コ ン | | | 01 |
| C319 | US062100 | Ceramic Capacitor-SL(chip) | 100pF 50V J | チ ッ プ セ ラ (S L) | | | 01 |
| -322 | US062100 | Ceramic Capacitor-SL(chip) | 100pF 50V J | チ ッ プ セ ラ (S L) | | | 01 |
| C323 | US061470 | Ceramic Capacitor-CH(chip) | 47pF 50V J | チ ッ プ セ ラ (C H) | | | 01 |
| C324 | US061470 | Ceramic Capacitor-CH(chip) | 47pF 50V J | チ ッ プ セ ラ (C H) | | | 01 |
| C325 | UR857470 | Electrolytic Cap. | 47uF 35V | ケ ミ コ ン | | | 01 |
| C326 | UR857470 | Electrolytic Cap. | 47uF 35V | ケ ミ コ ン | | | 01 |
| C327 | US064100 | Ceramic Capacitor-B (chip) | 0.01uF 50V K | チ ッ プ セ ラ (B) | | | 01 |
| -332 | US064100 | Ceramic Capacitor-B (chip) | 0.01uF 50V K | チ ッ プ セ ラ (B) | | | 01 |
| C401 | UA653390 | Mylar Capacitor | 3900pF 50V J | マ イ ラ - コ ン | | | 01 |
| C402 | UA653390 | Mylar Capacitor | 3900pF 50V J | マ イ ラ - コ ン | | | 01 |
| C403 | UA654100 | Mylar Capacitor | 0.01uF 50V J | マ イ ラ - コ ン | | | 01 |
| C404 | UA654120 | Mylar Capacitor | 0.012uF 50V J | マ イ ラ - コ ン | | | 01 |
| C405 | UA654100 | Mylar Capacitor | 0.01uF 50V J | マ イ ラ - コ ン | | | 01 |
| C406 | UA654120 | Mylar Capacitor | 0.012uF 50V J | マ イ ラ - コ ン | | | 01 |
| C407 | UA654150 | Mylar Capacitor | 0.015uF 50V J | マ イ ラ - コ ン | | | 01 |
| C408 | UA654150 | Mylar Capacitor | 0.015uF 50V J | マ イ ラ - コ ン | | | 01 |
| C409 | US061270 | Ceramic Capacitor-CH(chip) | 27pF 50V J | チ ッ プ セ ラ (C H) | | | 01 |
| C410 | US062100 | Ceramic Capacitor-SL(chip) | 100pF 50V J | チ ッ プ セ ラ (S L) | | | 01 |
| C411 | US061270 | Ceramic Capacitor-CH(chip) | 27pF 50V J | チ ッ プ セ ラ (C H) | | | 01 |
| C412 | US062100 | Ceramic Capacitor-SL(chip) | 100pF 50V J | チ ッ プ セ ラ (S L) | | | 01 |
| C413 | UR857470 | Electrolytic Cap. | 47uF 35V | ケ ミ コ ン | | | 01 |
| C414 | UR857470 | Electrolytic Cap. | 47uF 35V | ケ ミ コ ン | | | 01 |
| C415 | US063100 | Ceramic Capacitor-B (chip) | 1000pF 50V K | チ ッ プ セ ラ (B) | | | 01 |
| C416 | UR866470 | Electrolytic Cap. | 4.7uF 50V | ケ ミ コ ン | | | 01 |
| C417 | UR867100 | Electrolytic Cap. | 10uF 50V | ケ ミ コ ン | | | 01 |
| C418 | UR867100 | Electrolytic Cap. | 10uF 50V | ケ ミ コ ン | | | 01 |
| C419 | US062100 | Ceramic Capacitor-SL(chip) | 100pF 50V J | チ ッ プ セ ラ (S L) | | | 01 |
| -422 | US062100 | Ceramic Capacitor-SL(chip) | 100pF 50V J | チ ッ プ セ ラ (S L) | | | 01 |
| C423 | US061470 | Ceramic Capacitor-CH(chip) | 47pF 50V J | チ ッ プ セ ラ (C H) | | | 01 |
| C424 | US061470 | Ceramic Capacitor-CH(chip) | 47pF 50V J | チ ッ プ セ ラ (C H) | | | 01 |
| C425 | UR857470 | Electrolytic Cap. | 47uF 35V | ケ ミ コ ン | | | 01 |
| C426 | UR857470 | Electrolytic Cap. | 47uF 35V | ケ ミ コ ン | | | 01 |
| C427 | US064100 | Ceramic Capacitor-B (chip) | 0.01uF 50V K | チ ッ プ セ ラ (B) | | | 01 |
| -430 | US064100 | Ceramic Capacitor-B (chip) | 0.01uF 50V K | チ ッ プ セ ラ (B) | | | 01 |
| C501 | US064100 | Ceramic Capacitor-B (chip) | 0.01uF 50V K | チ ッ プ セ ラ (B) | | | 01 |
| C502 | UR857470 | Electrolytic Cap. | 47uF 35V | ケ ミ コ ン | | | 01 |
| C503 | US064100 | Ceramic Capacitor-B (chip) | 0.01uF 50V K | チ ッ プ セ ラ (B) | | | 01 |
| -506 | US064100 | Ceramic Capacitor-B (chip) | 0.01uF 50V K | チ ッ プ セ ラ (B) | | | 01 |
| C507 | US062220 | Ceramic Capacitor-SL(chip) | 220pF 50V J | チ ッ プ セ ラ (S L) | | | 01 |
| -511 | US062220 | Ceramic Capacitor-SL(chip) | 220pF 50V J | チ ッ プ セ ラ (S L) | | | 01 |
| C512 | US064100 | Ceramic Capacitor-B (chip) | 0.01uF 50V K | チ ッ プ セ ラ (B) | | | 01 |
| C513 | US061470 | Ceramic Capacitor-CH(chip) | 47pF 50V J | チ ッ プ セ ラ (C H) | | | 01 |
| C514 | US064100 | Ceramic Capacitor-B (chip) | 0.01uF 50V K | チ ッ プ セ ラ (B) | | | 01 |
| C515 | US061470 | Ceramic Capacitor-CH(chip) | 47pF 50V J | チ ッ プ セ ラ (C H) | | | 01 |
| C516 | US062220 | Ceramic Capacitor-SL(chip) | 220pF 50V J | チ ッ プ セ ラ (S L) | | | 01 |
| -519 | US062220 | Ceramic Capacitor-SL(chip) | 220pF 50V J | チ ッ プ セ ラ (S L) | | | 01 |
| C520 | US061220 | Ceramic Capacitor-CH(chip) | 22pF 50V J | チ ッ プ セ ラ (C H) | | | 01 |

*: New Parts

RANK: Japan only

STMAS

| REF NO. | PART NO. | DESCRIPTION | | 部 品 名 | REMARKS | QTY | RANK |
|---------|----------|----------------------------|---------------|---------------|---------|-----|------|
| -522 | US061220 | Ceramic Capacitor-CH(chip) | 22pF 50V J | チップセラ (C H) | | | 01 |
| C523 | US061470 | Ceramic Capacitor-CH(chip) | 47pF 50V J | チップセラ (C H) | | | 01 |
| C524 | US061470 | Ceramic Capacitor-CH(chip) | 47pF 50V J | チップセラ (C H) | | | 01 |
| C525 | US061220 | Ceramic Capacitor-CH(chip) | 22pF 50V J | チップセラ (C H) | | | 01 |
| C526 | US061220 | Ceramic Capacitor-CH(chip) | 22pF 50V J | チップセラ (C H) | | | 01 |
| C527 | US064100 | Ceramic Capacitor-B (chip) | 0.01uF 50V K | チップセラ (B) | | | 01 |
| -535 | US064100 | Ceramic Capacitor-B (chip) | 0.01uF 50V K | チップセラ (B) | | | 01 |
| C536 | US063100 | Ceramic Capacitor-B (chip) | 1000pF 50V K | チップセラ (B) | | | 01 |
| -540 | US063100 | Ceramic Capacitor-B (chip) | 1000pF 50V K | チップセラ (B) | | | 01 |
| C541 | US064100 | Ceramic Capacitor-B (chip) | 0.01uF 50V K | チップセラ (B) | | | 01 |
| C542 | US062120 | Ceramic Capacitor-SL(chip) | 120pF 50V J | チップセラ (S L) | | | 01 |
| -546 | US062120 | Ceramic Capacitor-SL(chip) | 120pF 50V J | チップセラ (S L) | | | 01 |
| C547 | US064100 | Ceramic Capacitor-B (chip) | 0.01uF 50V K | チップセラ (B) | | | 01 |
| C548 | US064100 | Ceramic Capacitor-B (chip) | 0.01uF 50V K | チップセラ (B) | | | 01 |
| C549 | UR857470 | Electrolytic Cap. | 47uF 35V | ケ ミ コ ン | | | 01 |
| C550 | UR857470 | Electrolytic Cap. | 47uF 35V | ケ ミ コ ン | | | 01 |
| C551 | US064100 | Ceramic Capacitor-B (chip) | 0.01uF 50V K | チップセラ (B) | | | 01 |
| C552 | US064100 | Ceramic Capacitor-B (chip) | 0.01uF 50V K | チップセラ (B) | | | 01 |
| C553 | UR867100 | Electrolytic Cap. | 10uF 50V | ケ ミ コ ン | | | 01 |
| -555 | UR867100 | Electrolytic Cap. | 10uF 50V | ケ ミ コ ン | | | 01 |
| C556 | US064100 | Ceramic Capacitor-B (chip) | 0.01uF 50V K | チップセラ (B) | | | 01 |
| C557 | UR867100 | Electrolytic Cap. | 10uF 50V | ケ ミ コ ン | | | 01 |
| C558 | UR867100 | Electrolytic Cap. | 10uF 50V | ケ ミ コ ン | | | 01 |
| C559 | US064100 | Ceramic Capacitor-B (chip) | 0.01uF 50V K | チップセラ (B) | | | 01 |
| -562 | US064100 | Ceramic Capacitor-B (chip) | 0.01uF 50V K | チップセラ (B) | | | 01 |
| C563 | V3159300 | Monolithic Mylar Capacitor | 1.5uF 50V J | 積層マイラーコン | | | 02 |
| C564 | WA615800 | Mylar Capacitor | 0.82uF 50V J | マイラーコン | | | |
| C565 | WA615700 | Mylar Capacitor | 0.47uF 50V J | マイラーコン | | | |
| C566 | WA615600 | Mylar Capacitor | 0.22uF 50V J | マイラーコン | | | |
| C567 | WA615400 | Mylar Capacitor | 0.1uF 50V J | マイラーコン | | | |
| C568 | UA654470 | Mylar Capacitor | 0.047uF 50V J | マイラーコン | | | 01 |
| C569 | UA654270 | Mylar Capacitor | 0.027uF 50V J | マイラーコン | | | 01 |
| C570 | UA654120 | Mylar Capacitor | 0.012uF 50V J | マイラーコン | | | 01 |
| C571 | UA653680 | Mylar Capacitor | 6800pF 50V J | マイラーコン | | | 01 |
| C572 | V3159300 | Monolithic Mylar Capacitor | 1.5uF 50V J | 積層マイラーコン | | | 02 |
| C573 | WA615800 | Mylar Capacitor | 0.82uF 50V J | マイラーコン | | | |
| C574 | WA615700 | Mylar Capacitor | 0.47uF 50V J | マイラーコン | | | |
| C575 | WA615600 | Mylar Capacitor | 0.22uF 50V J | マイラーコン | | | |
| C576 | WA615400 | Mylar Capacitor | 0.1uF 50V J | マイラーコン | | | |
| C577 | UA654470 | Mylar Capacitor | 0.047uF 50V J | マイラーコン | | | 01 |
| C578 | UA654270 | Mylar Capacitor | 0.027uF 50V J | マイラーコン | | | 01 |
| C579 | UA654120 | Mylar Capacitor | 0.012uF 50V J | マイラーコン | | | 01 |
| C580 | UA653680 | Mylar Capacitor | 6800pF 50V J | マイラーコン | | | 01 |
| C581 | US064100 | Ceramic Capacitor-B (chip) | 0.01uF 50V K | チップセラ (B) | | | 01 |
| C582 | UA654820 | Mylar Capacitor | 0.082uF 50V J | マイラーコン | | | 01 |
| C583 | UA654390 | Mylar Capacitor | 0.039uF 50V J | マイラーコン | | | 01 |
| C584 | UA654180 | Mylar Capacitor | 0.018uF 50V J | マイラーコン | | | 01 |
| C585 | UA654100 | Mylar Capacitor | 0.01uF 50V J | マイラーコン | | | 01 |
| C586 | UA653470 | Mylar Capacitor | 4700pF 50V J | マイラーコン | | | 01 |
| C587 | UA653220 | Mylar Capacitor | 2200pF 50V J | マイラーコン | | | 01 |
| C588 | UA653120 | Mylar Capacitor | 1200pF 50V J | マイラーコン | | | 01 |
| C589 | UA652680 | Mylar Capacitor | 680pF 50V J | マイラーコン | | | 01 |
| C590 | WG126500 | Mylar Capacitor | 0.15uF 63V J | マイラーコン | | | |
| C591 | UA654820 | Mylar Capacitor | 0.082uF 50V J | マイラーコン | | | 01 |
| C592 | UA654390 | Mylar Capacitor | 0.039uF 50V J | マイラーコン | | | 01 |
| C593 | UA654180 | Mylar Capacitor | 0.018uF 50V J | マイラーコン | | | 01 |
| C594 | UA654100 | Mylar Capacitor | 0.01uF 50V J | マイラーコン | | | 01 |
| C595 | UA653470 | Mylar Capacitor | 4700pF 50V J | マイラーコン | | | 01 |
| C596 | UA653120 | Mylar Capacitor | 1200pF 50V J | マイラーコン | | | 01 |
| C597 | UA652680 | Mylar Capacitor | 680pF 50V J | マイラーコン | | | 01 |
| C598 | WG126500 | Mylar Capacitor | 0.15uF 63V J | マイラーコン | | | |
| C599 | UA653220 | Mylar Capacitor | 2200pF 50V J | マイラーコン | | | 01 |
| C600 | US064100 | Ceramic Capacitor-B (chip) | 0.01uF 50V K | チップセラ (B) | | | 01 |
| -602 | US064100 | Ceramic Capacitor-B (chip) | 0.01uF 50V K | チップセラ (B) | | | 01 |
| C603 | US062470 | Ceramic Capacitor-SL(chip) | 470pF 50V J | チップセラ (S L) | | | 01 |
| C604 | US062470 | Ceramic Capacitor-SL(chip) | 470pF 50V J | チップセラ (S L) | | | 01 |
| C605 | US064100 | Ceramic Capacitor-B (chip) | 0.01uF 50V K | チップセラ (B) | | | 01 |
| C606 | UR857470 | Electrolytic Cap. | 47uF 35V | ケ ミ コ ン | | | 01 |
| C607 | UR857470 | Electrolytic Cap. | 47uF 35V | ケ ミ コ ン | | | 01 |
| C608 | US064100 | Ceramic Capacitor-B (chip) | 0.01uF 50V K | チップセラ (B) | | | 01 |

*: New Parts

RANK: Japan only

STMAS

| REF NO. | PART NO. | DESCRIPTION | | 部 品 名 | REMARKS | QTY | RANK |
|---------|----------|----------------------------|---------------|---------------|---------|-----|------|
| C609 | US064100 | Ceramic Capacitor-B (chip) | 0.01uF 50V K | チップセラ (B) | | | 01 |
| C610 | US063100 | Ceramic Capacitor-B (chip) | 1000pF 50V K | チップセラ (B) | | | 01 |
| C611 | US064100 | Ceramic Capacitor-B (chip) | 0.01uF 50V K | チップセラ (B) | | | 01 |
| C612 | US063100 | Ceramic Capacitor-B (chip) | 1000pF 50V K | チップセラ (B) | | | 01 |
| C613 | US063100 | Ceramic Capacitor-B (chip) | 1000pF 50V K | チップセラ (B) | | | 01 |
| C614 | UR867100 | Electrolytic Cap. | 10uF 50V | ケ ミ コ ン | | | 01 |
| -619 | UR867100 | Electrolytic Cap. | 10uF 50V | ケ ミ コ ン | | | 01 |
| C620 | US062100 | Ceramic Capacitor-SL(chip) | 100pF 50V J | チップセラ (S L) | | | 01 |
| -632 | US062100 | Ceramic Capacitor-SL(chip) | 100pF 50V J | チップセラ (S L) | | | 01 |
| C633 | US062220 | Ceramic Capacitor-SL(chip) | 220pF 50V J | チップセラ (S L) | | | 01 |
| C634 | US061470 | Ceramic Capacitor-CH(chip) | 47pF 50V J | チップセラ (C H) | | | 01 |
| C635 | US061680 | Ceramic Capacitor-SL(chip) | 68pF 50V J | チップセラ (S L) | | | 01 |
| -641 | US061680 | Ceramic Capacitor-SL(chip) | 68pF 50V J | チップセラ (S L) | | | 01 |
| C642 | UR848100 | Electrolytic Cap. | 100uF 25V | ケ ミ コ ン | | | 01 |
| -648 | UR848100 | Electrolytic Cap. | 100uF 25V | ケ ミ コ ン | | | 01 |
| C649 | US061680 | Ceramic Capacitor-SL(chip) | 68pF 50V J | チップセラ (S L) | | | 01 |
| C650 | UR848100 | Electrolytic Cap. | 100uF 25V | ケ ミ コ ン | | | 01 |
| C651 | US061220 | Ceramic Capacitor-CH(chip) | 22pF 50V J | チップセラ (C H) | | | 01 |
| C652 | US062220 | Ceramic Capacitor-SL(chip) | 220pF 50V J | チップセラ (S L) | | | 01 |
| C701 | UR866470 | Electrolytic Cap. | 4.7uF 50V | ケ ミ コ ン | | | 01 |
| C702 | US062220 | Ceramic Capacitor-SL(chip) | 220pF 50V J | チップセラ (S L) | | | 01 |
| C703 | US062220 | Ceramic Capacitor-SL(chip) | 220pF 50V J | チップセラ (S L) | | | 01 |
| C704 | UA654470 | Mylar Capacitor | 0.047uF 50V J | マイラ - コ ン | | | 01 |
| C705 | UR866470 | Electrolytic Cap. | 4.7uF 50V | ケ ミ コ ン | | | 01 |
| C706 | US064100 | Ceramic Capacitor-B (chip) | 0.01uF 50V K | チップセラ (B) | | | 01 |
| C707 | US061220 | Ceramic Capacitor-CH(chip) | 22pF 50V J | チップセラ (C H) | | | 01 |
| C708 | US061220 | Ceramic Capacitor-CH(chip) | 22pF 50V J | チップセラ (C H) | | | 01 |
| C709 | US064100 | Ceramic Capacitor-B (chip) | 0.01uF 50V K | チップセラ (B) | | | 01 |
| C710 | UR857470 | Electrolytic Cap. | 47uF 35V | ケ ミ コ ン | | | 01 |
| C711 | UR857470 | Electrolytic Cap. | 47uF 35V | ケ ミ コ ン | | | 01 |
| C712 | UR866100 | Electrolytic Cap. | 1.0uF 50V | ケ ミ コ ン | | | 01 |
| C713 | UR866470 | Electrolytic Cap. | 4.7uF 50V | ケ ミ コ ン | | | 01 |
| C714 | US064100 | Ceramic Capacitor-B (chip) | 0.01uF 50V K | チップセラ (B) | | | 01 |
| C715 | UR867100 | Electrolytic Cap. | 10uF 50V | ケ ミ コ ン | | | 01 |
| C716 | UR867100 | Electrolytic Cap. | 10uF 50V | ケ ミ コ ン | | | 01 |
| C717 | US062100 | Ceramic Capacitor-SL(chip) | 100pF 50V J | チップセラ (S L) | | | 01 |
| C718 | US062100 | Ceramic Capacitor-SL(chip) | 100pF 50V J | チップセラ (S L) | | | 01 |
| C719 | US061100 | Ceramic Capacitor-CH(chip) | 10pF 50V D | チップセラ (C H) | | | 01 |
| C720 | US061100 | Ceramic Capacitor-CH(chip) | 10pF 50V D | チップセラ (C H) | | | 01 |
| C721 | UR848100 | Electrolytic Cap. | 100uF 25V | ケ ミ コ ン | | | 01 |
| C722 | UR848100 | Electrolytic Cap. | 100uF 25V | ケ ミ コ ン | | | 01 |
| C723 | US063100 | Ceramic Capacitor-B (chip) | 1000pF 50V K | チップセラ (B) | | | 01 |
| C724 | US063100 | Ceramic Capacitor-B (chip) | 1000pF 50V K | チップセラ (B) | | | 01 |
| C725 | UR838100 | Electrolytic Cap. | 100uF 16V | ケ ミ コ ン | | | 01 |
| C726 | WA628700 | Mylar Capacitor | 0.12uF 50V J | マイラ - コ ン | | | 01 |
| C727 | WA628700 | Mylar Capacitor | 0.12uF 50V J | マイラ - コ ン | | | 01 |
| C728 | US064100 | Ceramic Capacitor-B (chip) | 0.01uF 50V K | チップセラ (B) | | | 01 |
| -730 | US064100 | Ceramic Capacitor-B (chip) | 0.01uF 50V K | チップセラ (B) | | | 01 |
| C731 | WA628700 | Mylar Capacitor | 0.12uF 50V J | マイラ - コ ン | | | 01 |
| C732 | WA628700 | Mylar Capacitor | 0.12uF 50V J | マイラ - コ ン | | | 01 |
| C733 | UR838100 | Electrolytic Cap. | 100uF 16V | ケ ミ コ ン | | | 01 |
| C734 | UR866470 | Electrolytic Cap. | 4.7uF 50V | ケ ミ コ ン | | | 01 |
| C735 | UR866100 | Electrolytic Cap. | 1.0uF 50V | ケ ミ コ ン | | | 01 |
| C736 | US064100 | Ceramic Capacitor-B (chip) | 0.01uF 50V K | チップセラ (B) | | | 01 |
| C737 | UA654470 | Mylar Capacitor | 0.047uF 50V J | マイラ - コ ン | | | 01 |
| C738 | UR866470 | Electrolytic Cap. | 4.7uF 50V | ケ ミ コ ン | | | 01 |
| C739 | UR866470 | Electrolytic Cap. | 4.7uF 50V | ケ ミ コ ン | | | 01 |
| C740 | US064100 | Ceramic Capacitor-B (chip) | 0.01uF 50V K | チップセラ (B) | | | 01 |
| -744 | US064100 | Ceramic Capacitor-B (chip) | 0.01uF 50V K | チップセラ (B) | | | 01 |
| C747 | US062100 | Ceramic Capacitor-SL(chip) | 100pF 50V J | チップセラ (S L) | | | 01 |
| C748 | US064100 | Ceramic Capacitor-B (chip) | 0.01uF 50V K | チップセラ (B) | | | 01 |
| C749 | US062100 | Ceramic Capacitor-SL(chip) | 100pF 50V J | チップセラ (S L) | | | 01 |
| C750 | US064100 | Ceramic Capacitor-B (chip) | 0.01uF 50V K | チップセラ (B) | | | 01 |
| C751 | US062100 | Ceramic Capacitor-SL(chip) | 100pF 50V J | チップセラ (S L) | | | 01 |
| C752 | US062100 | Ceramic Capacitor-SL(chip) | 100pF 50V J | チップセラ (S L) | | | 01 |
| C753 | US063100 | Ceramic Capacitor-B (chip) | 1000pF 50V K | チップセラ (B) | | | 01 |
| C754 | US063100 | Ceramic Capacitor-B (chip) | 1000pF 50V K | チップセラ (B) | | | 01 |
| C755 | US062470 | Ceramic Capacitor-SL(chip) | 470pF 50V J | チップセラ (S L) | | | 01 |
| C756 | US062470 | Ceramic Capacitor-SL(chip) | 470pF 50V J | チップセラ (S L) | | | 01 |
| C757 | UR857470 | Electrolytic Cap. | 47uF 35V | ケ ミ コ ン | | | 01 |

*: New Parts

RANK: Japan only

STMAS

| REF NO. | PART NO. | DESCRIPTION | | 部 品 名 | REMARKS | QTY | RANK |
|---------|-----------|----------------------------|--------------------|---------------------|---------------|-----|------|
| C758 | UR857470 | Electrolytic Cap. | 47uF 35V | ケ ミ コ ン | | | 01 |
| C759 | UR866100 | Electrolytic Cap. | 1.0uF 50V | ケ ミ コ ン | | | 01 |
| C760 | UR866100 | Electrolytic Cap. | 1.0uF 50V | ケ ミ コ ン | | | 01 |
| C761 | UR867100 | Electrolytic Cap. | 10uF 50V | ケ ミ コ ン | | | 01 |
| C762 | UR867100 | Electrolytic Cap. | 10uF 50V | ケ ミ コ ン | | | 01 |
| C763 | US062100 | Ceramic Capacitor-SL(chip) | 100pF 50V J | チ ッ プ セ ラ (S L) | | | 01 |
| C764 | US062100 | Ceramic Capacitor-SL(chip) | 100pF 50V J | チ ッ プ セ ラ (S L) | | | 01 |
| C765 | US064100 | Ceramic Capacitor-B (chip) | 0.01uF 50V K | チ ッ プ セ ラ (B) | | | 01 |
| C766 | US062100 | Ceramic Capacitor-SL(chip) | 100pF 50V J | チ ッ プ セ ラ (S L) | | | 01 |
| C767 | US062100 | Ceramic Capacitor-SL(chip) | 100pF 50V J | チ ッ プ セ ラ (S L) | | | 01 |
| C768 | US061560 | Ceramic Capacitor-CH(chip) | 56pF 50V J | チ ッ プ セ ラ (C H) | | | 01 |
| C769 | US061560 | Ceramic Capacitor-CH(chip) | 56pF 50V J | チ ッ プ セ ラ (C H) | | | 01 |
| C770 | US064100 | Ceramic Capacitor-B (chip) | 0.01uF 50V K | チ ッ プ セ ラ (B) | | | 01 |
| C771 | UR857470 | Electrolytic Cap. | 47uF 35V | ケ ミ コ ン | | | 01 |
| C772 | UR857470 | Electrolytic Cap. | 47uF 35V | ケ ミ コ ン | | | 01 |
| C773 | US063100 | Ceramic Capacitor-B (chip) | 1000pF 50V K | チ ッ プ セ ラ (B) | | | 01 |
| CN101 | -- | Header | SHD106-0982-A12 | メ ス ヘ ッ ダ ー | (WF54540) | | |
| CN301 | -- | Header | SHD106-0982-A12 | メ ス ヘ ッ ダ ー | (WF54540) | | |
| CN501 | -- | Header | SHD106-0982-A12 | メ ス ヘ ッ ダ ー | (WF54540) | | |
| CN502 | -- | Header | SHD106-0982-A12 | メ ス ヘ ッ ダ ー | (WF54540) | | |
| CN601 | VB390100 | Connector Base Post | PH 5P TE | コ ネ ク タ ベ ー ス ポ ス ト | | | 01 |
| CN602 | WD961900 | Header | SHD206-1002-A04 | メ ス ヘ ッ ダ ー | | | |
| CN603 | -- | Header | GSHD206 18P TE | メ ス ヘ ッ ダ ー | (WG42390) | | |
| CN604 | VB390400 | Base Post | PH 8P TE | ベ ー ス ポ ス ト | | | 01 |
| CN605 | VB390000 | Base Post | PH 4P TE | ベ ー ス ポ ス ト | | | 01 |
| D101 | VT332900 | Diode | 1SS355 TE-17 | ダ イ オ ー ド | | | 01 |
| -105 | VT332900 | Diode | 1SS355 TE-17 | ダ イ オ ー ド | | | 01 |
| D201 | VT332900 | Diode | 1SS355 TE-17 | ダ イ オ ー ド | | | 01 |
| -205 | VT332900 | Diode | 1SS355 TE-17 | ダ イ オ ー ド | | | 01 |
| D301 | VT332900 | Diode | 1SS355 TE-17 | ダ イ オ ー ド | | | 01 |
| D302 | VT332900 | Diode | 1SS355 TE-17 | ダ イ オ ー ド | | | 01 |
| D401 | VT332900 | Diode | 1SS355 TE-17 | ダ イ オ ー ド | | | 01 |
| D402 | VT332900 | Diode | 1SS355 TE-17 | ダ イ オ ー ド | | | 01 |
| D701 | VT332900 | Diode | 1SS355 TE-17 | ダ イ オ ー ド | | | 01 |
| D702 | VT332900 | Diode | 1SS355 TE-17 | ダ イ オ ー ド | | | 01 |
| D703 | V5734900 | Diode | HSC119 SC79 | ダ イ オ ー ド | | | 01 |
| D704 | V5734900 | Diode | HSC119 SC79 | ダ イ オ ー ド | | | 01 |
| EC601 | WB349400 | Encoder without NUT | SDB161PVB 765-0645 | エン コ ー ダ ナ ッ ト 無 し | | | 06 |
| IC101 | X3505 A00 | IC | NJM2068M-D(Te2) | I | C OP AMP | | 02 |
| IC102 | X6896 A00 | IC | BA4558RF-E2 OPAMP | I | C OP AMP | | |
| IC103 | X6896 A00 | IC | BA4558RF-E2 OPAMP | I | C OP AMP | | |
| IC104 | X3505 A00 | IC | NJM2068M-D(Te2) | I | C OP AMP | | 02 |
| IC201 | X3505 A00 | IC | NJM2068M-D(Te2) | I | C OP AMP | | 02 |
| IC204 | X3505 A00 | IC | NJM2068M-D(Te2) | I | C OP AMP | | 02 |
| IC301 | X3505 A00 | IC | NJM2068M-D(Te2) | I | C OP AMP | | 02 |
| IC302 | X6896 A00 | IC | BA4558RF-E2 OPAMP | I | C OP AMP | | |
| IC303 | X3505 A00 | IC | NJM2068M-D(Te2) | I | C OP AMP | | 02 |
| IC401 | X3505 A00 | IC | NJM2068M-D(Te2) | I | C OP AMP | | 02 |
| IC403 | X3505 A00 | IC | NJM2068M-D(Te2) | I | C OP AMP | | 02 |
| IC501 | X3505 A00 | IC | NJM2068M-D(Te2) | I | C OP AMP | | 02 |
| -507 | X3505 A00 | IC | NJM2068M-D(Te2) | I | C OP AMP | | 02 |
| IC508 | XM560 A00 | IC | NJM2060M-TE2 | I | C OP AMP | | 02 |
| -512 | XM560 A00 | IC | NJM2060M-TE2 | I | C OP AMP | | 02 |
| IC513 | X5025 A00 | IC | NJM4580M-D(Te2) OP | I | C OP AMP | | 01 |
| IC514 | X5025 A00 | IC | NJM4580M-D(Te2) OP | I | C OP AMP | | 01 |
| IC515 | X3505 A00 | IC | NJM2068M-D(Te2) | I | C OP AMP | | 02 |
| IC516 | X5025 A00 | IC | NJM4580M-D(Te2) OP | I | C OP AMP | | 01 |
| IC517 | X5025 A00 | IC | NJM4580M-D(Te2) OP | I | C OP AMP | | 01 |
| IC601 | X3505 A00 | IC | NJM2068M-D(Te2) | I | C OP AMP | | 02 |
| IC602 | XP844 A00 | IC | NJM4556AL | I | C OP AMP | | 02 |
| IC603 | X5838 A00 | IC | LB1412M | I | C LED DRIVER | | 05 |
| IC604 | X5838 A00 | IC | LB1412M | I | C LED DRIVER | | 05 |
| IC605 | X3505 A00 | IC | NJM2068M-D(Te2) | I | C OP AMP | | 02 |
| IC606 | X3505 A00 | IC | NJM2068M-D(Te2) | I | C OP AMP | | 02 |
| IC607 | X6896 A00 | IC | BA4558RF-E2 OPAMP | I | C OP AMP | | |
| IC608 | X6896 A00 | IC | BA4558RF-E2 OPAMP | I | C OP AMP | | |
| LD101 | WA097600 | LED Yellow | 3-00 DIFFUSED | L E D | FCL(CH7/8) | | 01 |
| LD102 | V9790400 | LED Red | HFR203PJ-3-00 | L E D | PEAK(CH7/8) | | 01 |
| LD103 | WA097500 | LED Green | 3-00 DIFFUSED | L E D | SIGNAL(CH7/8) | | 01 |
| LD104 | WA097600 | LED Yellow | 3-00 DIFFUSED | L E D | CH ON(CH7/8) | | 01 |

*: New Parts

RANK: Japan only

STMAS

| REF NO. | PART NO. | DESCRIPTION | 部 品 名 | REMARKS | QTY | RANK |
|---------|----------|------------------------|--------------------|---------------|-----------------|------|
| LD201 | WA097600 | LED Yellow | 3-00 DIFFUSED | L E D | FCL(CH9/10) | 01 |
| LD202 | V9790400 | LED Red | HFR203PJ-3-00 | L E D | PEAK(CH9/10) | 01 |
| LD203 | WA097500 | LED Green | 3-00 DIFFUSED | L E D | SIGNAL(CH9/10) | 01 |
| LD204 | WA097600 | LED Yellow | 3-00 DIFFUSED | L E D | CH ON(CH9/10) | 01 |
| LD301 | V9790400 | LED Red | HFR203PJ-3-00 | L E D | PEAK(CH11/12) | 01 |
| LD302 | WA097500 | LED Green | 3-00 DIFFUSED | L E D | SIGNAL(CH11/12) | 01 |
| LD303 | WA097600 | LED Yellow | 3-00 DIFFUSED | L E D | CH ON(CH11/12) | 01 |
| LD401 | V9790400 | LED Red | HFR203PJ-3-00 | L E D | PEAK(CH13/14) | 01 |
| LD402 | WA097500 | LED Green | 3-00 DIFFUSED | L E D | SIGNAL(CH13/14) | 01 |
| LD403 | WA097600 | LED Yellow | 3-00 DIFFUSED | L E D | CH ON(CH13/14) | 01 |
| LD501 | V9790600 | LED Red | 1-00 TRANSPARENT | L E D | STAND-BY | 01 |
| LD502 | WA097600 | LED Yellow | 3-00 DIFFUSED | L E D | GEQ | 01 |
| LD601 | WF715500 | LED Level Meter | HE24RGVB | L E D レベルメーター | LED METER | |
| LD701 | V9854500 | LED Yellow | HFY803037P-50-0 | L E D | YSP | 01 |
| LD702 | WA097600 | LED Yellow | 3-00 DIFFUSED | L E D | EFFECT ON/OFF | 01 |
| LD703 | V9790400 | LED Red | HFR203PJ-3-00 | L E D | POWER SELECT | 01 |
| LD704 | V9790400 | LED Red | HFR203PJ-3-00 | L E D | LIMITER | 01 |
| LD705 | V9790400 | LED Red | HFR203PJ-3-00 | L E D | PHANTOM | 01 |
| LD706 | WA097500 | LED Green | 3-00 DIFFUSED | L E D | POWER | 01 |
| Q101 | WC529500 | Transistor | KTA1504S-Y,GR-RTK/ | ト ラ ン ジ ス タ | | |
| Q102 | WC529400 | Transistor | KTC3875S-Y,GR-RTK/ | ト ラ ン ジ ス タ | | |
| Q103 | WC529400 | Transistor | KTC3875S-Y,GR-RTK/ | ト ラ ン ジ ス タ | | |
| Q201 | WC529500 | Transistor | KTA1504S-Y,GR-RTK/ | ト ラ ン ジ ス タ | | |
| Q202 | WC529400 | Transistor | KTC3875S-Y,GR-RTK/ | ト ラ ン ジ ス タ | | |
| Q203 | WC529400 | Transistor | KTC3875S-Y,GR-RTK/ | ト ラ ン ジ ス タ | | |
| Q301 | WC529500 | Transistor | KTA1504S-Y,GR-RTK/ | ト ラ ン ジ ス タ | | |
| Q302 | WC529400 | Transistor | KTC3875S-Y,GR-RTK/ | ト ラ ン ジ ス タ | | |
| Q401 | WC529500 | Transistor | KTA1504S-Y,GR-RTK/ | ト ラ ン ジ ス タ | | |
| Q402 | WC529400 | Transistor | KTC3875S-Y,GR-RTK/ | ト ラ ン ジ ス タ | | |
| Q403 | WC529400 | Transistor | KTC3875S-Y,GR-RTK/ | ト ラ ン ジ ス タ | | |
| Q501 | VD303700 | Transistor | 2SC3326 A,B TE85R | ト ラ ン ジ ス タ | | 01 |
| -505 | VD303700 | Transistor | 2SC3326 A,B TE85R | ト ラ ン ジ ス タ | | 01 |
| Q701 | WC529400 | Transistor | KTC3875S-Y,GR-RTK/ | ト ラ ン ジ ス タ | | |
| Q702 | WC529500 | Transistor | KTA1504S-Y,GR-RTK/ | ト ラ ン ジ ス タ | | |
| Q703 | WC529500 | Transistor | KTA1504S-Y,GR-RTK/ | ト ラ ン ジ ス タ | | |
| Q704 | WC529400 | Transistor | KTC3875S-Y,GR-RTK/ | ト ラ ン ジ ス タ | | |
| Q705 | WC529400 | Transistor | KTC3875S-Y,GR-RTK/ | ト ラ ン ジ ス タ | | |
| Q706 | WC529500 | Transistor | KTA1504S-Y,GR-RTK/ | ト ラ ン ジ ス タ | | |
| -708 | WC529500 | Transistor | KTA1504S-Y,GR-RTK/ | ト ラ ン ジ ス タ | | |
| Q709 | WC529400 | Transistor | KTC3875S-Y,GR-RTK/ | ト ラ ン ジ ス タ | | |
| Q710 | WC529500 | Transistor | KTA1504S-Y,GR-RTK/ | ト ラ ン ジ ス タ | | |
| Q711 | WC529400 | Transistor | KTC3875S-Y,GR-RTK/ | ト ラ ン ジ ス タ | | |
| -713 | WC529400 | Transistor | KTC3875S-Y,GR-RTK/ | ト ラ ン ジ ス タ | | |
| Q714 | VV655400 | Digital Transistor | DTC114EKA | デジタルトランジスタ | | 01 |
| -717 | VV655400 | Digital Transistor | DTC114EKA | デジタルトランジスタ | | 01 |
| Q718 | WC529400 | Transistor | KTC3875S-Y,GR-RTK/ | ト ラ ン ジ ス タ | | |
| Q719 | WC529400 | Transistor | KTC3875S-Y,GR-RTK/ | ト ラ ン ジ ス タ | | |
| Q720 | VV655000 | Digital Transistor | DTA114EKA | デジタルトランジスタ | | 01 |
| Q721 | VV655000 | Digital Transistor | DTA114EKA | デジタルトランジスタ | | 01 |
| R101 | RD357100 | Carbon Resistor (chip) | 10K 1/16W J | チ ッ プ 抵 抗 | | 01 |
| R102 | RD355680 | Carbon Resistor (chip) | 680 1/16W J | チ ッ プ 抵 抗 | | 01 |
| R103 | RD356270 | Carbon Resistor (chip) | 2.7K 1/16W J | チ ッ プ 抵 抗 | | 01 |
| R104 | RD357100 | Carbon Resistor (chip) | 10K 1/16W J | チ ッ プ 抵 抗 | | 01 |
| R105 | RD355680 | Carbon Resistor (chip) | 680 1/16W J | チ ッ プ 抵 抗 | | 01 |
| R106 | RD356270 | Carbon Resistor (chip) | 2.7K 1/16W J | チ ッ プ 抵 抗 | | 01 |
| R107 | RD357100 | Carbon Resistor (chip) | 10K 1/16W J | チ ッ プ 抵 抗 | | 01 |
| -109 | RD357100 | Carbon Resistor (chip) | 10K 1/16W J | チ ッ プ 抵 抗 | | 01 |
| R110 | RD355680 | Carbon Resistor (chip) | 680 1/16W J | チ ッ プ 抵 抗 | | 01 |
| R111 | RD356270 | Carbon Resistor (chip) | 2.7K 1/16W J | チ ッ プ 抵 抗 | | 01 |
| R112 | RD356270 | Carbon Resistor (chip) | 2.7K 1/16W J | チ ッ プ 抵 抗 | | 01 |
| R113 | RD357100 | Carbon Resistor (chip) | 10K 1/16W J | チ ッ プ 抵 抗 | | 01 |
| R114 | RD355680 | Carbon Resistor (chip) | 680 1/16W J | チ ッ プ 抵 抗 | | 01 |
| R115 | RD356270 | Carbon Resistor (chip) | 2.7K 1/16W J | チ ッ プ 抵 抗 | | 01 |
| R116 | RD356270 | Carbon Resistor (chip) | 2.7K 1/16W J | チ ッ プ 抵 抗 | | 01 |
| R117 | RD354100 | Carbon Resistor (chip) | 10 1/16W J | チ ッ プ 抵 抗 | | 01 |
| R118 | RD354100 | Carbon Resistor (chip) | 10 1/16W J | チ ッ プ 抵 抗 | | 01 |
| R119 | RD357560 | Carbon Resistor (chip) | 56K 1/16W J | チ ッ プ 抵 抗 | | 01 |
| R120 | RD355470 | Carbon Resistor (chip) | 470 1/16W J | チ ッ プ 抵 抗 | | 01 |
| R121 | RD357560 | Carbon Resistor (chip) | 56K 1/16W J | チ ッ プ 抵 抗 | | 01 |
| R122 | RD357560 | Carbon Resistor (chip) | 56K 1/16W J | チ ッ プ 抵 抗 | | 01 |

*: New Parts

RANK: Japan only

STMAS

| REF NO. | PART NO. | DESCRIPTION | | 部 | 品 | 名 | REMARKS | QTY | RANK |
|---------|----------|------------------------|--------------|---|---|---|---------|-----|------|
| R123 | RD358470 | Carbon Resistor (chip) | 470K 1/16W J | チ | ッ | ブ | 抵抗 | | 01 |
| R124 | RD358470 | Carbon Resistor (chip) | 470K 1/16W J | チ | ッ | ブ | 抵抗 | | 01 |
| R125 | RD357330 | Carbon Resistor (chip) | 33K 1/16W J | チ | ッ | ブ | 抵抗 | | 01 |
| R126 | RD358220 | Carbon Resistor (chip) | 220K 1/16W J | チ | ッ | ブ | 抵抗 | | 01 |
| R127 | RD355820 | Carbon Resistor (chip) | 820 1/16W J | チ | ッ | ブ | 抵抗 | | 01 |
| R128 | RD355220 | Carbon Resistor (chip) | 220 1/16W J | チ | ッ | ブ | 抵抗 | | 01 |
| R129 | RD356100 | Carbon Resistor (chip) | 1.0K 1/16W J | チ | ッ | ブ | 抵抗 | | 01 |
| R130 | RD357680 | Carbon Resistor (chip) | 68K 1/16W J | チ | ッ | ブ | 抵抗 | | 01 |
| R131 | RD357120 | Carbon Resistor (chip) | 12K 1/16W J | チ | ッ | ブ | 抵抗 | | 01 |
| R132 | RD356330 | Carbon Resistor (chip) | 3.3K 1/16W J | チ | ッ | ブ | 抵抗 | | 01 |
| R133 | RD357330 | Carbon Resistor (chip) | 33K 1/16W J | チ | ッ | ブ | 抵抗 | | 01 |
| R134 | RD356330 | Carbon Resistor (chip) | 3.3K 1/16W J | チ | ッ | ブ | 抵抗 | | 01 |
| R135 | RD358100 | Carbon Resistor (chip) | 100K 1/16W J | チ | ッ | ブ | 抵抗 | | 01 |
| R136 | RD156180 | Carbon Resistor (chip) | 1.8K 1/4W J | チ | ッ | ブ | 抵抗 | | 01 |
| R137 | RD156220 | Carbon Resistor (chip) | 2.2K 1/4W J | チ | ッ | ブ | 抵抗 | | 01 |
| R138 | RD358220 | Carbon Resistor (chip) | 220K 1/16W J | チ | ッ | ブ | 抵抗 | | 01 |
| R139 | RD358220 | Carbon Resistor (chip) | 220K 1/16W J | チ | ッ | ブ | 抵抗 | | 01 |
| R140 | RD355220 | Carbon Resistor (chip) | 220 1/16W J | チ | ッ | ブ | 抵抗 | | 01 |
| R141 | RD355220 | Carbon Resistor (chip) | 220 1/16W J | チ | ッ | ブ | 抵抗 | | 01 |
| R142 | RD357360 | Carbon Resistor (chip) | 36K 1/16W J | チ | ッ | ブ | 抵抗 | | 01 |
| R143 | RD357360 | Carbon Resistor (chip) | 36K 1/16W J | チ | ッ | ブ | 抵抗 | | 01 |
| R144 | RD355220 | Carbon Resistor (chip) | 220 1/16W J | チ | ッ | ブ | 抵抗 | | 01 |
| R145 | RD355220 | Carbon Resistor (chip) | 220 1/16W J | チ | ッ | ブ | 抵抗 | | 01 |
| R146 | RD356680 | Carbon Resistor (chip) | 6.8K 1/16W J | チ | ッ | ブ | 抵抗 | | 01 |
| R147 | RD356680 | Carbon Resistor (chip) | 6.8K 1/16W J | チ | ッ | ブ | 抵抗 | | 01 |
| R148 | RD357150 | Carbon Resistor (chip) | 15K 1/16W J | チ | ッ | ブ | 抵抗 | | 01 |
| R149 | RD357150 | Carbon Resistor (chip) | 15K 1/16W J | チ | ッ | ブ | 抵抗 | | 01 |
| R150 | RD354100 | Carbon Resistor (chip) | 10 1/16W J | チ | ッ | ブ | 抵抗 | | 01 |
| R151 | RD354100 | Carbon Resistor (chip) | 10 1/16W J | チ | ッ | ブ | 抵抗 | | 01 |
| R152 | RD357270 | Carbon Resistor (chip) | 27K 1/16W J | チ | ッ | ブ | 抵抗 | | 01 |
| -157 | RD357270 | Carbon Resistor (chip) | 27K 1/16W J | チ | ッ | ブ | 抵抗 | | 01 |
| R158 | RD357180 | Carbon Resistor (chip) | 18K 1/16W J | チ | ッ | ブ | 抵抗 | | 01 |
| -161 | RD357180 | Carbon Resistor (chip) | 18K 1/16W J | チ | ッ | ブ | 抵抗 | | 01 |
| R201 | RD357100 | Carbon Resistor (chip) | 10K 1/16W J | チ | ッ | ブ | 抵抗 | | 01 |
| R202 | RD355680 | Carbon Resistor (chip) | 680 1/16W J | チ | ッ | ブ | 抵抗 | | 01 |
| R203 | RD356270 | Carbon Resistor (chip) | 2.7K 1/16W J | チ | ッ | ブ | 抵抗 | | 01 |
| R204 | RD357100 | Carbon Resistor (chip) | 10K 1/16W J | チ | ッ | ブ | 抵抗 | | 01 |
| R205 | RD355680 | Carbon Resistor (chip) | 680 1/16W J | チ | ッ | ブ | 抵抗 | | 01 |
| R206 | RD356270 | Carbon Resistor (chip) | 2.7K 1/16W J | チ | ッ | ブ | 抵抗 | | 01 |
| R207 | RD357100 | Carbon Resistor (chip) | 10K 1/16W J | チ | ッ | ブ | 抵抗 | | 01 |
| -209 | RD357100 | Carbon Resistor (chip) | 10K 1/16W J | チ | ッ | ブ | 抵抗 | | 01 |
| R210 | RD355680 | Carbon Resistor (chip) | 680 1/16W J | チ | ッ | ブ | 抵抗 | | 01 |
| R211 | RD356270 | Carbon Resistor (chip) | 2.7K 1/16W J | チ | ッ | ブ | 抵抗 | | 01 |
| R212 | RD356270 | Carbon Resistor (chip) | 2.7K 1/16W J | チ | ッ | ブ | 抵抗 | | 01 |
| R213 | RD357100 | Carbon Resistor (chip) | 10K 1/16W J | チ | ッ | ブ | 抵抗 | | 01 |
| R214 | RD355680 | Carbon Resistor (chip) | 680 1/16W J | チ | ッ | ブ | 抵抗 | | 01 |
| R215 | RD356270 | Carbon Resistor (chip) | 2.7K 1/16W J | チ | ッ | ブ | 抵抗 | | 01 |
| R216 | RD356270 | Carbon Resistor (chip) | 2.7K 1/16W J | チ | ッ | ブ | 抵抗 | | 01 |
| R217 | RD354100 | Carbon Resistor (chip) | 10 1/16W J | チ | ッ | ブ | 抵抗 | | 01 |
| R218 | RD354100 | Carbon Resistor (chip) | 10 1/16W J | チ | ッ | ブ | 抵抗 | | 01 |
| R219 | RD357560 | Carbon Resistor (chip) | 56K 1/16W J | チ | ッ | ブ | 抵抗 | | 01 |
| R220 | RD355470 | Carbon Resistor (chip) | 470 1/16W J | チ | ッ | ブ | 抵抗 | | 01 |
| R221 | RD357560 | Carbon Resistor (chip) | 56K 1/16W J | チ | ッ | ブ | 抵抗 | | 01 |
| R222 | RD357560 | Carbon Resistor (chip) | 56K 1/16W J | チ | ッ | ブ | 抵抗 | | 01 |
| R223 | RD358470 | Carbon Resistor (chip) | 470K 1/16W J | チ | ッ | ブ | 抵抗 | | 01 |
| R224 | RD358470 | Carbon Resistor (chip) | 470K 1/16W J | チ | ッ | ブ | 抵抗 | | 01 |
| R225 | RD357330 | Carbon Resistor (chip) | 33K 1/16W J | チ | ッ | ブ | 抵抗 | | 01 |
| R226 | RD358220 | Carbon Resistor (chip) | 220K 1/16W J | チ | ッ | ブ | 抵抗 | | 01 |
| R227 | RD355820 | Carbon Resistor (chip) | 820 1/16W J | チ | ッ | ブ | 抵抗 | | 01 |
| R228 | RD355220 | Carbon Resistor (chip) | 220 1/16W J | チ | ッ | ブ | 抵抗 | | 01 |
| R229 | RD356100 | Carbon Resistor (chip) | 1.0K 1/16W J | チ | ッ | ブ | 抵抗 | | 01 |
| R230 | RD357680 | Carbon Resistor (chip) | 68K 1/16W J | チ | ッ | ブ | 抵抗 | | 01 |
| R231 | RD357120 | Carbon Resistor (chip) | 12K 1/16W J | チ | ッ | ブ | 抵抗 | | 01 |
| R232 | RD356330 | Carbon Resistor (chip) | 3.3K 1/16W J | チ | ッ | ブ | 抵抗 | | 01 |
| R233 | RD357330 | Carbon Resistor (chip) | 33K 1/16W J | チ | ッ | ブ | 抵抗 | | 01 |
| R234 | RD356330 | Carbon Resistor (chip) | 3.3K 1/16W J | チ | ッ | ブ | 抵抗 | | 01 |
| R235 | RD358100 | Carbon Resistor (chip) | 100K 1/16W J | チ | ッ | ブ | 抵抗 | | 01 |
| R236 | RD156180 | Carbon Resistor (chip) | 1.8K 1/4W J | チ | ッ | ブ | 抵抗 | | 01 |
| R237 | RD156220 | Carbon Resistor (chip) | 2.2K 1/4W J | チ | ッ | ブ | 抵抗 | | 01 |
| R238 | RD358220 | Carbon Resistor (chip) | 220K 1/16W J | チ | ッ | ブ | 抵抗 | | 01 |

*: New Parts

RANK: Japan only

STMAS

| REF NO. | PART NO. | DESCRIPTION | | 部 | 品 | 名 | REMARKS | QTY | RANK |
|---------|----------|------------------------|--------------|---|---|---|---------|-----|------|
| R239 | RD358220 | Carbon Resistor (chip) | 220K 1/16W J | チ | ッ | ブ | | | 01 |
| R240 | RD355220 | Carbon Resistor (chip) | 220 1/16W J | チ | ッ | ブ | | | 01 |
| R241 | RD355220 | Carbon Resistor (chip) | 220 1/16W J | チ | ッ | ブ | | | 01 |
| R242 | RD357360 | Carbon Resistor (chip) | 36K 1/16W J | チ | ッ | ブ | | | 01 |
| R243 | RD357360 | Carbon Resistor (chip) | 36K 1/16W J | チ | ッ | ブ | | | 01 |
| R244 | RD355220 | Carbon Resistor (chip) | 220 1/16W J | チ | ッ | ブ | | | 01 |
| R245 | RD355220 | Carbon Resistor (chip) | 220 1/16W J | チ | ッ | ブ | | | 01 |
| R246 | RD356680 | Carbon Resistor (chip) | 6.8K 1/16W J | チ | ッ | ブ | | | 01 |
| R247 | RD356680 | Carbon Resistor (chip) | 6.8K 1/16W J | チ | ッ | ブ | | | 01 |
| R248 | RD357150 | Carbon Resistor (chip) | 15K 1/16W J | チ | ッ | ブ | | | 01 |
| R249 | RD357150 | Carbon Resistor (chip) | 15K 1/16W J | チ | ッ | ブ | | | 01 |
| R250 | RD354100 | Carbon Resistor (chip) | 10 1/16W J | チ | ッ | ブ | | | 01 |
| R251 | RD354100 | Carbon Resistor (chip) | 10 1/16W J | チ | ッ | ブ | | | 01 |
| R252 | RD357270 | Carbon Resistor (chip) | 27K 1/16W J | チ | ッ | ブ | | | 01 |
| -257 | RD357270 | Carbon Resistor (chip) | 27K 1/16W J | チ | ッ | ブ | | | 01 |
| R258 | RD357180 | Carbon Resistor (chip) | 18K 1/16W J | チ | ッ | ブ | | | 01 |
| -261 | RD357180 | Carbon Resistor (chip) | 18K 1/16W J | チ | ッ | ブ | | | 01 |
| R301 | RD357100 | Carbon Resistor (chip) | 10K 1/16W J | チ | ッ | ブ | | | 01 |
| R302 | RD355680 | Carbon Resistor (chip) | 680 1/16W J | チ | ッ | ブ | | | 01 |
| R303 | RD356270 | Carbon Resistor (chip) | 2.7K 1/16W J | チ | ッ | ブ | | | 01 |
| R304 | RD357100 | Carbon Resistor (chip) | 10K 1/16W J | チ | ッ | ブ | | | 01 |
| R305 | RD355680 | Carbon Resistor (chip) | 680 1/16W J | チ | ッ | ブ | | | 01 |
| R306 | RD356270 | Carbon Resistor (chip) | 2.7K 1/16W J | チ | ッ | ブ | | | 01 |
| R307 | RD357100 | Carbon Resistor (chip) | 10K 1/16W J | チ | ッ | ブ | | | 01 |
| -309 | RD357100 | Carbon Resistor (chip) | 10K 1/16W J | チ | ッ | ブ | | | 01 |
| R310 | RD355680 | Carbon Resistor (chip) | 680 1/16W J | チ | ッ | ブ | | | 01 |
| R311 | RD356270 | Carbon Resistor (chip) | 2.7K 1/16W J | チ | ッ | ブ | | | 01 |
| R312 | RD356270 | Carbon Resistor (chip) | 2.7K 1/16W J | チ | ッ | ブ | | | 01 |
| R313 | RD357100 | Carbon Resistor (chip) | 10K 1/16W J | チ | ッ | ブ | | | 01 |
| R314 | RD355680 | Carbon Resistor (chip) | 680 1/16W J | チ | ッ | ブ | | | 01 |
| R315 | RD356270 | Carbon Resistor (chip) | 2.7K 1/16W J | チ | ッ | ブ | | | 01 |
| R316 | RD356270 | Carbon Resistor (chip) | 2.7K 1/16W J | チ | ッ | ブ | | | 01 |
| R317 | RD354100 | Carbon Resistor (chip) | 10 1/16W J | チ | ッ | ブ | | | 01 |
| R318 | RD354100 | Carbon Resistor (chip) | 10 1/16W J | チ | ッ | ブ | | | 01 |
| R319 | RD357560 | Carbon Resistor (chip) | 56K 1/16W J | チ | ッ | ブ | | | 01 |
| R320 | RD357560 | Carbon Resistor (chip) | 56K 1/16W J | チ | ッ | ブ | | | 01 |
| R321 | RD357330 | Carbon Resistor (chip) | 33K 1/16W J | チ | ッ | ブ | | | 01 |
| R322 | RD358220 | Carbon Resistor (chip) | 220K 1/16W J | チ | ッ | ブ | | | 01 |
| R323 | RD355220 | Carbon Resistor (chip) | 220 1/16W J | チ | ッ | ブ | | | 01 |
| R324 | RD357120 | Carbon Resistor (chip) | 12K 1/16W J | チ | ッ | ブ | | | 01 |
| R325 | RD356330 | Carbon Resistor (chip) | 3.3K 1/16W J | チ | ッ | ブ | | | 01 |
| R326 | RD357330 | Carbon Resistor (chip) | 33K 1/16W J | チ | ッ | ブ | | | 01 |
| R327 | RD358100 | Carbon Resistor (chip) | 100K 1/16W J | チ | ッ | ブ | | | 01 |
| R328 | RD156220 | Carbon Resistor (chip) | 2.2K 1/4W J | チ | ッ | ブ | | | 01 |
| R329 | RD358220 | Carbon Resistor (chip) | 220K 1/16W J | チ | ッ | ブ | | | 01 |
| R330 | RD358220 | Carbon Resistor (chip) | 220K 1/16W J | チ | ッ | ブ | | | 01 |
| R331 | RD355220 | Carbon Resistor (chip) | 220 1/16W J | チ | ッ | ブ | | | 01 |
| R332 | RD355220 | Carbon Resistor (chip) | 220 1/16W J | チ | ッ | ブ | | | 01 |
| R333 | RD357360 | Carbon Resistor (chip) | 36K 1/16W J | チ | ッ | ブ | | | 01 |
| R334 | RD357360 | Carbon Resistor (chip) | 36K 1/16W J | チ | ッ | ブ | | | 01 |
| R335 | RD355220 | Carbon Resistor (chip) | 220 1/16W J | チ | ッ | ブ | | | 01 |
| R336 | RD355220 | Carbon Resistor (chip) | 220 1/16W J | チ | ッ | ブ | | | 01 |
| R337 | RD356680 | Carbon Resistor (chip) | 6.8K 1/16W J | チ | ッ | ブ | | | 01 |
| R338 | RD356680 | Carbon Resistor (chip) | 6.8K 1/16W J | チ | ッ | ブ | | | 01 |
| R339 | RD357150 | Carbon Resistor (chip) | 15K 1/16W J | チ | ッ | ブ | | | 01 |
| R340 | RD357150 | Carbon Resistor (chip) | 15K 1/16W J | チ | ッ | ブ | | | 01 |
| R341 | RD354100 | Carbon Resistor (chip) | 10 1/16W J | チ | ッ | ブ | | | 01 |
| R342 | RD354100 | Carbon Resistor (chip) | 10 1/16W J | チ | ッ | ブ | | | 01 |
| R343 | RD357180 | Carbon Resistor (chip) | 18K 1/16W J | チ | ッ | ブ | | | 01 |
| R344 | RD357180 | Carbon Resistor (chip) | 18K 1/16W J | チ | ッ | ブ | | | 01 |
| R345 | RD357270 | Carbon Resistor (chip) | 27K 1/16W J | チ | ッ | ブ | | | 01 |
| -350 | RD357270 | Carbon Resistor (chip) | 27K 1/16W J | チ | ッ | ブ | | | 01 |
| R351 | RD357180 | Carbon Resistor (chip) | 18K 1/16W J | チ | ッ | ブ | | | 01 |
| R352 | RD357180 | Carbon Resistor (chip) | 18K 1/16W J | チ | ッ | ブ | | | 01 |
| R401 | RD357100 | Carbon Resistor (chip) | 10K 1/16W J | チ | ッ | ブ | | | 01 |
| R402 | RD355680 | Carbon Resistor (chip) | 680 1/16W J | チ | ッ | ブ | | | 01 |
| R403 | RD356270 | Carbon Resistor (chip) | 2.7K 1/16W J | チ | ッ | ブ | | | 01 |
| R404 | RD357100 | Carbon Resistor (chip) | 10K 1/16W J | チ | ッ | ブ | | | 01 |
| R405 | RD355680 | Carbon Resistor (chip) | 680 1/16W J | チ | ッ | ブ | | | 01 |
| R406 | RD356270 | Carbon Resistor (chip) | 2.7K 1/16W J | チ | ッ | ブ | | | 01 |

*: New Parts

RANK: Japan only

STMAS

| REF NO. | PART NO. | DESCRIPTION | | 部 | 品 | 名 | REMARKS | QTY | RANK |
|---------|----------|------------------------|--------------|---|---|---|---------|-----|------|
| R407 | RD357100 | Carbon Resistor (chip) | 10K 1/16W J | チ | ッ | ブ | 抵抗 | | 01 |
| -409 | RD357100 | Carbon Resistor (chip) | 10K 1/16W J | チ | ッ | ブ | 抵抗 | | 01 |
| R410 | RD355680 | Carbon Resistor (chip) | 680 1/16W J | チ | ッ | ブ | 抵抗 | | 01 |
| R411 | RD356270 | Carbon Resistor (chip) | 2.7K 1/16W J | チ | ッ | ブ | 抵抗 | | 01 |
| R412 | RD356270 | Carbon Resistor (chip) | 2.7K 1/16W J | チ | ッ | ブ | 抵抗 | | 01 |
| R413 | RD357100 | Carbon Resistor (chip) | 10K 1/16W J | チ | ッ | ブ | 抵抗 | | 01 |
| R414 | RD355680 | Carbon Resistor (chip) | 680 1/16W J | チ | ッ | ブ | 抵抗 | | 01 |
| R415 | RD356270 | Carbon Resistor (chip) | 2.7K 1/16W J | チ | ッ | ブ | 抵抗 | | 01 |
| R416 | RD356270 | Carbon Resistor (chip) | 2.7K 1/16W J | チ | ッ | ブ | 抵抗 | | 01 |
| R417 | RD354100 | Carbon Resistor (chip) | 10 1/16W J | チ | ッ | ブ | 抵抗 | | 01 |
| R418 | RD354100 | Carbon Resistor (chip) | 10 1/16W J | チ | ッ | ブ | 抵抗 | | 01 |
| R419 | RD357560 | Carbon Resistor (chip) | 56K 1/16W J | チ | ッ | ブ | 抵抗 | | 01 |
| R420 | RD357560 | Carbon Resistor (chip) | 56K 1/16W J | チ | ッ | ブ | 抵抗 | | 01 |
| R421 | RD357330 | Carbon Resistor (chip) | 33K 1/16W J | チ | ッ | ブ | 抵抗 | | 01 |
| R422 | RD358220 | Carbon Resistor (chip) | 220K 1/16W J | チ | ッ | ブ | 抵抗 | | 01 |
| R423 | RD355220 | Carbon Resistor (chip) | 220 1/16W J | チ | ッ | ブ | 抵抗 | | 01 |
| R424 | RD357120 | Carbon Resistor (chip) | 12K 1/16W J | チ | ッ | ブ | 抵抗 | | 01 |
| R425 | RD356330 | Carbon Resistor (chip) | 3.3K 1/16W J | チ | ッ | ブ | 抵抗 | | 01 |
| R426 | RD357330 | Carbon Resistor (chip) | 33K 1/16W J | チ | ッ | ブ | 抵抗 | | 01 |
| R427 | RD358100 | Carbon Resistor (chip) | 100K 1/16W J | チ | ッ | ブ | 抵抗 | | 01 |
| R428 | RD156220 | Carbon Resistor (chip) | 2.2K 1/4W J | チ | ッ | ブ | 抵抗 | | 01 |
| R429 | RD358220 | Carbon Resistor (chip) | 220K 1/16W J | チ | ッ | ブ | 抵抗 | | 01 |
| R430 | RD358220 | Carbon Resistor (chip) | 220K 1/16W J | チ | ッ | ブ | 抵抗 | | 01 |
| R431 | RD355220 | Carbon Resistor (chip) | 220 1/16W J | チ | ッ | ブ | 抵抗 | | 01 |
| R432 | RD355220 | Carbon Resistor (chip) | 220 1/16W J | チ | ッ | ブ | 抵抗 | | 01 |
| R433 | RD357360 | Carbon Resistor (chip) | 36K 1/16W J | チ | ッ | ブ | 抵抗 | | 01 |
| R434 | RD357360 | Carbon Resistor (chip) | 36K 1/16W J | チ | ッ | ブ | 抵抗 | | 01 |
| R435 | RD355220 | Carbon Resistor (chip) | 220 1/16W J | チ | ッ | ブ | 抵抗 | | 01 |
| R436 | RD355220 | Carbon Resistor (chip) | 220 1/16W J | チ | ッ | ブ | 抵抗 | | 01 |
| R437 | RD356680 | Carbon Resistor (chip) | 6.8K 1/16W J | チ | ッ | ブ | 抵抗 | | 01 |
| R438 | RD356680 | Carbon Resistor (chip) | 6.8K 1/16W J | チ | ッ | ブ | 抵抗 | | 01 |
| R439 | RD357150 | Carbon Resistor (chip) | 15K 1/16W J | チ | ッ | ブ | 抵抗 | | 01 |
| R440 | RD357150 | Carbon Resistor (chip) | 15K 1/16W J | チ | ッ | ブ | 抵抗 | | 01 |
| R441 | RD354100 | Carbon Resistor (chip) | 10 1/16W J | チ | ッ | ブ | 抵抗 | | 01 |
| R442 | RD354100 | Carbon Resistor (chip) | 10 1/16W J | チ | ッ | ブ | 抵抗 | | 01 |
| R443 | RD357180 | Carbon Resistor (chip) | 18K 1/16W J | チ | ッ | ブ | 抵抗 | | 01 |
| R444 | RD357180 | Carbon Resistor (chip) | 18K 1/16W J | チ | ッ | ブ | 抵抗 | | 01 |
| R445 | RD357270 | Carbon Resistor (chip) | 27K 1/16W J | チ | ッ | ブ | 抵抗 | | 01 |
| -450 | RD357270 | Carbon Resistor (chip) | 27K 1/16W J | チ | ッ | ブ | 抵抗 | | 01 |
| R451 | RD357180 | Carbon Resistor (chip) | 18K 1/16W J | チ | ッ | ブ | 抵抗 | | 01 |
| R452 | RD357180 | Carbon Resistor (chip) | 18K 1/16W J | チ | ッ | ブ | 抵抗 | | 01 |
| R453 | RD357150 | Carbon Resistor (chip) | 15K 1/16W J | チ | ッ | ブ | 抵抗 | | 01 |
| R454 | RD356150 | Carbon Resistor (chip) | 1.5K 1/16W J | チ | ッ | ブ | 抵抗 | | 01 |
| R455 | RD155100 | Carbon Resistor (chip) | 100 1/4W J | チ | ッ | ブ | 抵抗 | | 01 |
| R501 | RD156270 | Carbon Resistor (chip) | 2.7K 1/4W J | チ | ッ | ブ | 抵抗 | | 01 |
| R502 | RD357100 | Carbon Resistor (chip) | 10K 1/16W J | チ | ッ | ブ | 抵抗 | | 01 |
| R503 | RD357220 | Carbon Resistor (chip) | 22K 1/16W J | チ | ッ | ブ | 抵抗 | | 01 |
| R504 | RD356100 | Carbon Resistor (chip) | 1.0K 1/16W J | チ | ッ | ブ | 抵抗 | | 01 |
| -508 | RD356100 | Carbon Resistor (chip) | 1.0K 1/16W J | チ | ッ | ブ | 抵抗 | | 01 |
| R509 | RD357180 | Carbon Resistor (chip) | 18K 1/16W J | チ | ッ | ブ | 抵抗 | | 01 |
| R510 | RD357180 | Carbon Resistor (chip) | 18K 1/16W J | チ | ッ | ブ | 抵抗 | | 01 |
| R511 | RD357360 | Carbon Resistor (chip) | 36K 1/16W J | チ | ッ | ブ | 抵抗 | | 01 |
| -513 | RD357360 | Carbon Resistor (chip) | 36K 1/16W J | チ | ッ | ブ | 抵抗 | | 01 |
| R514 | RD357180 | Carbon Resistor (chip) | 18K 1/16W J | チ | ッ | ブ | 抵抗 | | 01 |
| R515 | RD357180 | Carbon Resistor (chip) | 18K 1/16W J | チ | ッ | ブ | 抵抗 | | 01 |
| R516 | RD357360 | Carbon Resistor (chip) | 36K 1/16W J | チ | ッ | ブ | 抵抗 | | 01 |
| R517 | RD357360 | Carbon Resistor (chip) | 36K 1/16W J | チ | ッ | ブ | 抵抗 | | 01 |
| R518 | RD357180 | Carbon Resistor (chip) | 18K 1/16W J | チ | ッ | ブ | 抵抗 | | 01 |
| -522 | RD357180 | Carbon Resistor (chip) | 18K 1/16W J | チ | ッ | ブ | 抵抗 | | 01 |
| R523 | RD357360 | Carbon Resistor (chip) | 36K 1/16W J | チ | ッ | ブ | 抵抗 | | 01 |
| -526 | RD357360 | Carbon Resistor (chip) | 36K 1/16W J | チ | ッ | ブ | 抵抗 | | 01 |
| R527 | RD357180 | Carbon Resistor (chip) | 18K 1/16W J | チ | ッ | ブ | 抵抗 | | 01 |
| -531 | RD357180 | Carbon Resistor (chip) | 18K 1/16W J | チ | ッ | ブ | 抵抗 | | 01 |
| R532 | RD357360 | Carbon Resistor (chip) | 36K 1/16W J | チ | ッ | ブ | 抵抗 | | 01 |
| -536 | RD357360 | Carbon Resistor (chip) | 36K 1/16W J | チ | ッ | ブ | 抵抗 | | 01 |
| R537 | RD354100 | Carbon Resistor (chip) | 10 1/16W J | チ | ッ | ブ | 抵抗 | | 01 |
| R538 | RD356330 | Carbon Resistor (chip) | 3.3K 1/16W J | チ | ッ | ブ | 抵抗 | | 01 |
| R539 | RD356330 | Carbon Resistor (chip) | 3.3K 1/16W J | チ | ッ | ブ | 抵抗 | | 01 |
| R540 | RD355560 | Carbon Resistor (chip) | 560 1/16W J | チ | ッ | ブ | 抵抗 | | 01 |
| -553 | RD355560 | Carbon Resistor (chip) | 560 1/16W J | チ | ッ | ブ | 抵抗 | | 01 |

*: New Parts

RANK: Japan only

STMAS

| REF NO. | PART NO. | DESCRIPTION | | 部 | 品 | 名 | REMARKS | QTY | RANK |
|---------|----------|-------------------------|--------------|---|---|---|---------|-----|------|
| R554 | RD357470 | Carbon Resistor (chip) | 47K 1/16W J | チ | ッ | ブ | 抵抗 | | 01 |
| R555 | RD355560 | Carbon Resistor (chip) | 560 1/16W J | チ | ッ | ブ | 抵抗 | | 01 |
| -558 | RD355560 | Carbon Resistor (chip) | 560 1/16W J | チ | ッ | ブ | 抵抗 | | 01 |
| R559 | RD357470 | Carbon Resistor (chip) | 47K 1/16W J | チ | ッ | ブ | 抵抗 | | 01 |
| -577 | RD357470 | Carbon Resistor (chip) | 47K 1/16W J | チ | ッ | ブ | 抵抗 | | 01 |
| R578 | RD356330 | Carbon Resistor (chip) | 3.3K 1/16W J | チ | ッ | ブ | 抵抗 | | 01 |
| R579 | RD356330 | Carbon Resistor (chip) | 3.3K 1/16W J | チ | ッ | ブ | 抵抗 | | 01 |
| R580 | RD358100 | Carbon Resistor (chip) | 100K 1/16W J | チ | ッ | ブ | 抵抗 | | 01 |
| R581 | RD358100 | Carbon Resistor (chip) | 100K 1/16W J | チ | ッ | ブ | 抵抗 | | 01 |
| R582 | RD156270 | Carbon Resistor (chip) | 2.7K 1/4W J | チ | ッ | ブ | 抵抗 | | 01 |
| R583 | RD357180 | Carbon Resistor (chip) | 18K 1/16W J | チ | ッ | ブ | 抵抗 | | 01 |
| R584 | RD357180 | Carbon Resistor (chip) | 18K 1/16W J | チ | ッ | ブ | 抵抗 | | 01 |
| R585 | RD357330 | Carbon Resistor (chip) | 33K 1/16W J | チ | ッ | ブ | 抵抗 | | 01 |
| -590 | RD357330 | Carbon Resistor (chip) | 33K 1/16W J | チ | ッ | ブ | 抵抗 | | 01 |
| R591 | RD355220 | Carbon Resistor (chip) | 220 1/16W J | チ | ッ | ブ | 抵抗 | | 01 |
| -596 | RD355220 | Carbon Resistor (chip) | 220 1/16W J | チ | ッ | ブ | 抵抗 | | 01 |
| R597 | RD357270 | Carbon Resistor (chip) | 27K 1/16W J | チ | ッ | ブ | 抵抗 | | 01 |
| R598 | RD357360 | Carbon Resistor (chip) | 36K 1/16W J | チ | ッ | ブ | 抵抗 | | 01 |
| -603 | RD357360 | Carbon Resistor (chip) | 36K 1/16W J | チ | ッ | ブ | 抵抗 | | 01 |
| R604 | RD357270 | Carbon Resistor (chip) | 27K 1/16W J | チ | ッ | ブ | 抵抗 | | 01 |
| R605 | RD355220 | Carbon Resistor (chip) | 220 1/16W J | チ | ッ | ブ | 抵抗 | | 01 |
| -611 | RD355220 | Carbon Resistor (chip) | 220 1/16W J | チ | ッ | ブ | 抵抗 | | 01 |
| R612 | RD356220 | Carbon Resistor (chip) | 2.2K 1/16W J | チ | ッ | ブ | 抵抗 | | 01 |
| R613 | RD356220 | Carbon Resistor (chip) | 2.2K 1/16W J | チ | ッ | ブ | 抵抗 | | 01 |
| R614 | RD356430 | Carbon Resistor (chip) | 4.3K 1/16W J | チ | ッ | ブ | 抵抗 | | 01 |
| R615 | RD356430 | Carbon Resistor (chip) | 4.3K 1/16W J | チ | ッ | ブ | 抵抗 | | 01 |
| R616 | RD356220 | Carbon Resistor (chip) | 2.2K 1/16W J | チ | ッ | ブ | 抵抗 | | 01 |
| R617 | RD356220 | Carbon Resistor (chip) | 2.2K 1/16W J | チ | ッ | ブ | 抵抗 | | 01 |
| R618 | RD357180 | Carbon Resistor (chip) | 18K 1/16W J | チ | ッ | ブ | 抵抗 | | 01 |
| R619 | RD357100 | Carbon Resistor (chip) | 10K 1/16W J | チ | ッ | ブ | 抵抗 | | 01 |
| -626 | RD357100 | Carbon Resistor (chip) | 10K 1/16W J | チ | ッ | ブ | 抵抗 | | 01 |
| R627 | RD358100 | Carbon Resistor (chip) | 100K 1/16W J | チ | ッ | ブ | 抵抗 | | 01 |
| R628 | RD358100 | Carbon Resistor (chip) | 100K 1/16W J | チ | ッ | ブ | 抵抗 | | 01 |
| R629 | RD357100 | Carbon Resistor (chip) | 10K 1/16W J | チ | ッ | ブ | 抵抗 | | 01 |
| R630 | RD358100 | Carbon Resistor (chip) | 100K 1/16W J | チ | ッ | ブ | 抵抗 | | 01 |
| -634 | RD358100 | Carbon Resistor (chip) | 100K 1/16W J | チ | ッ | ブ | 抵抗 | | 01 |
| R635 | RD357150 | Carbon Resistor (chip) | 15K 1/16W J | チ | ッ | ブ | 抵抗 | | 01 |
| R636 | RD357100 | Carbon Resistor (chip) | 10K 1/16W J | チ | ッ | ブ | 抵抗 | | 01 |
| -640 | RD357100 | Carbon Resistor (chip) | 10K 1/16W J | チ | ッ | ブ | 抵抗 | | 01 |
| R641 | RD156270 | Carbon Resistor (chip) | 2.7K 1/4W J | チ | ッ | ブ | 抵抗 | | 01 |
| R642 | RD357360 | Carbon Resistor (chip) | 36K 1/16W J | チ | ッ | ブ | 抵抗 | | 01 |
| R643 | RD357360 | Carbon Resistor (chip) | 36K 1/16W J | チ | ッ | ブ | 抵抗 | | 01 |
| R701 | RD358100 | Carbon Resistor (chip) | 100K 1/16W J | チ | ッ | ブ | 抵抗 | | 01 |
| R702 | RD357680 | Carbon Resistor (chip) | 68K 1/16W J | チ | ッ | ブ | 抵抗 | | 01 |
| R703 | RD356820 | Carbon Resistor (chip) | 8.2K 1/16W J | チ | ッ | ブ | 抵抗 | | 01 |
| R704 | RD356470 | Carbon Resistor (chip) | 4.7K 1/16W J | チ | ッ | ブ | 抵抗 | | 01 |
| R705 | RD358100 | Carbon Resistor (chip) | 100K 1/16W J | チ | ッ | ブ | 抵抗 | | 01 |
| R706 | RD357680 | Carbon Resistor (chip) | 68K 1/16W J | チ | ッ | ブ | 抵抗 | | 01 |
| R707 | RD357180 | Carbon Resistor (chip) | 18K 1/16W J | チ | ッ | ブ | 抵抗 | | 01 |
| R708 | RD357180 | Carbon Resistor (chip) | 18K 1/16W J | チ | ッ | ブ | 抵抗 | | 01 |
| R709 | RD357330 | Carbon Resistor (chip) | 33K 1/16W J | チ | ッ | ブ | 抵抗 | | 01 |
| R710 | RD156150 | Carbon Resistor (chip) | 1.5K 1/4W J | チ | ッ | ブ | 抵抗 | | 01 |
| R711 | RD356470 | Carbon Resistor (chip) | 4.7K 1/16W J | チ | ッ | ブ | 抵抗 | | 01 |
| R712 | RD156150 | Carbon Resistor (chip) | 1.5K 1/4W J | チ | ッ | ブ | 抵抗 | | 01 |
| -715 | RD156150 | Carbon Resistor (chip) | 1.5K 1/4W J | チ | ッ | ブ | 抵抗 | | 01 |
| R716 | RD356910 | Carbon Resistor (chip) | 9.1K 1/16W J | チ | ッ | ブ | 抵抗 | | 01 |
| R717 | RD356910 | Carbon Resistor (chip) | 9.1K 1/16W J | チ | ッ | ブ | 抵抗 | | 01 |
| R718 | RD358100 | Carbon Resistor (chip) | 100K 1/16W J | チ | ッ | ブ | 抵抗 | | 01 |
| -721 | RD358100 | Carbon Resistor (chip) | 100K 1/16W J | チ | ッ | ブ | 抵抗 | | 01 |
| R722 | RD155220 | Carbon Resistor (chip) | 220 1/4W J | チ | ッ | ブ | 抵抗 | | 01 |
| -725 | RD155220 | Carbon Resistor (chip) | 220 1/4W J | チ | ッ | ブ | 抵抗 | | 01 |
| R726 | RD358220 | Carbon Resistor (chip) | 220K 1/16W J | チ | ッ | ブ | 抵抗 | | 01 |
| R727 | RD358220 | Carbon Resistor (chip) | 220K 1/16W J | チ | ッ | ブ | 抵抗 | | 01 |
| R728 | HV754100 | Flame Proof C. Resistor | 10 1/4W J | 不 | 燃 | 化 | カーボン抵抗 | | 01 |
| R729 | RD156150 | Carbon Resistor (chip) | 1.5K 1/4W J | チ | ッ | ブ | 抵抗 | | 01 |
| -732 | RD156150 | Carbon Resistor (chip) | 1.5K 1/4W J | チ | ッ | ブ | 抵抗 | | 01 |
| R733 | RF356390 | Carbon Resistor (chip) | 3.9K 1/16W D | チ | ッ | ブ | 抵抗 | | 01 |
| R734 | RF356390 | Carbon Resistor (chip) | 3.9K 1/16W D | チ | ッ | ブ | 抵抗 | | 01 |
| R735 | RD356470 | Carbon Resistor (chip) | 4.7K 1/16W J | チ | ッ | ブ | 抵抗 | | 01 |
| R736 | HV754100 | Flame Proof C. Resistor | 10 1/4W J | 不 | 燃 | 化 | カーボン抵抗 | | 01 |

*: New Parts

RANK: Japan only

STMAS

| REF NO. | PART NO. | DESCRIPTION | | 部 | 品 | 名 | REMARKS | QTY | RANK |
|---------|----------|------------------------|--------------|---|---|---|---------|-----|------|
| R737 | RF357820 | Carbon Resistor (chip) | 82K 1/16W D | チ | ッ | ブ | 抵抗 | | 01 |
| R738 | RF357820 | Carbon Resistor (chip) | 82K 1/16W D | チ | ッ | ブ | 抵抗 | | 01 |
| R739 | RD354180 | Carbon Resistor (chip) | 18 1/16W J | チ | ッ | ブ | 抵抗 | | 01 |
| R740 | RD354180 | Carbon Resistor (chip) | 18 1/16W J | チ | ッ | ブ | 抵抗 | | 01 |
| R741 | RD156270 | Carbon Resistor (chip) | 2.7K 1/4W J | チ | ッ | ブ | 抵抗 | | 01 |
| R742 | RD156150 | Carbon Resistor (chip) | 1.5K 1/4W J | チ | ッ | ブ | 抵抗 | | 01 |
| R743 | RD357330 | Carbon Resistor (chip) | 33K 1/16W J | チ | ッ | ブ | 抵抗 | | 01 |
| R744 | RD357680 | Carbon Resistor (chip) | 68K 1/16W J | チ | ッ | ブ | 抵抗 | | 01 |
| R745 | RD358100 | Carbon Resistor (chip) | 100K 1/16W J | チ | ッ | ブ | 抵抗 | | 01 |
| R746 | RD356470 | Carbon Resistor (chip) | 4.7K 1/16W J | チ | ッ | ブ | 抵抗 | | 01 |
| R747 | RD356820 | Carbon Resistor (chip) | 8.2K 1/16W J | チ | ッ | ブ | 抵抗 | | 01 |
| R748 | RD358100 | Carbon Resistor (chip) | 100K 1/16W J | チ | ッ | ブ | 抵抗 | | 01 |
| R749 | RD357680 | Carbon Resistor (chip) | 68K 1/16W J | チ | ッ | ブ | 抵抗 | | 01 |
| R750 | RD356560 | Carbon Resistor (chip) | 5.6K 1/16W J | チ | ッ | ブ | 抵抗 | | 01 |
| R751 | RD357150 | Carbon Resistor (chip) | 15K 1/16W J | チ | ッ | ブ | 抵抗 | | 01 |
| R752 | RD356560 | Carbon Resistor (chip) | 5.6K 1/16W J | チ | ッ | ブ | 抵抗 | | 01 |
| R753 | RD357150 | Carbon Resistor (chip) | 15K 1/16W J | チ | ッ | ブ | 抵抗 | | 01 |
| R754 | RD357100 | Carbon Resistor (chip) | 10K 1/16W J | チ | ッ | ブ | 抵抗 | | 01 |
| R755 | RD357100 | Carbon Resistor (chip) | 10K 1/16W J | チ | ッ | ブ | 抵抗 | | 01 |
| R756 | RD357360 | Carbon Resistor (chip) | 36K 1/16W J | チ | ッ | ブ | 抵抗 | | 01 |
| R757 | RD357360 | Carbon Resistor (chip) | 36K 1/16W J | チ | ッ | ブ | 抵抗 | | 01 |
| R758 | RD356100 | Carbon Resistor (chip) | 1.0K 1/16W J | チ | ッ | ブ | 抵抗 | | 01 |
| R759 | RD354680 | Carbon Resistor (chip) | 68 1/16W J | チ | ッ | ブ | 抵抗 | | 01 |
| R760 | RD354680 | Carbon Resistor (chip) | 68 1/16W J | チ | ッ | ブ | 抵抗 | | 01 |
| R761 | RD357180 | Carbon Resistor (chip) | 18K 1/16W J | チ | ッ | ブ | 抵抗 | | 01 |
| R762 | RD357180 | Carbon Resistor (chip) | 18K 1/16W J | チ | ッ | ブ | 抵抗 | | 01 |
| R763 | RD356680 | Carbon Resistor (chip) | 6.8K 1/16W J | チ | ッ | ブ | 抵抗 | | 01 |
| R764 | RD357560 | Carbon Resistor (chip) | 56K 1/16W J | チ | ッ | ブ | 抵抗 | | 01 |
| R765 | RD357560 | Carbon Resistor (chip) | 56K 1/16W J | チ | ッ | ブ | 抵抗 | | 01 |
| R766 | RD156150 | Carbon Resistor (chip) | 1.5K 1/4W J | チ | ッ | ブ | 抵抗 | | 01 |
| R767 | RD156150 | Carbon Resistor (chip) | 1.5K 1/4W J | チ | ッ | ブ | 抵抗 | | 01 |
| R768 | RD357360 | Carbon Resistor (chip) | 36K 1/16W J | チ | ッ | ブ | 抵抗 | | 01 |
| R769 | RD357360 | Carbon Resistor (chip) | 36K 1/16W J | チ | ッ | ブ | 抵抗 | | 01 |
| R770 | RD357120 | Carbon Resistor (chip) | 12K 1/16W J | チ | ッ | ブ | 抵抗 | | 01 |
| -772 | RD357120 | Carbon Resistor (chip) | 12K 1/16W J | チ | ッ | ブ | 抵抗 | | 01 |
| R773 | RD357560 | Carbon Resistor (chip) | 56K 1/16W J | チ | ッ | ブ | 抵抗 | | 01 |
| R774 | RD357120 | Carbon Resistor (chip) | 12K 1/16W J | チ | ッ | ブ | 抵抗 | | 01 |
| R775 | RD357560 | Carbon Resistor (chip) | 56K 1/16W J | チ | ッ | ブ | 抵抗 | | 01 |
| R776 | RD354680 | Carbon Resistor (chip) | 68 1/16W J | チ | ッ | ブ | 抵抗 | | 01 |
| R777 | RD354680 | Carbon Resistor (chip) | 68 1/16W J | チ | ッ | ブ | 抵抗 | | 01 |
| R778 | RD357510 | Carbon Resistor (chip) | 51K 1/16W J | チ | ッ | ブ | 抵抗 | | 01 |
| R779 | RD357150 | Carbon Resistor (chip) | 15K 1/16W J | チ | ッ | ブ | 抵抗 | | 01 |
| R780 | RD357220 | Carbon Resistor (chip) | 22K 1/16W J | チ | ッ | ブ | 抵抗 | | 01 |
| R781 | RD357510 | Carbon Resistor (chip) | 51K 1/16W J | チ | ッ | ブ | 抵抗 | | 01 |
| R782 | RD357150 | Carbon Resistor (chip) | 15K 1/16W J | チ | ッ | ブ | 抵抗 | | 01 |
| R783 | RD357220 | Carbon Resistor (chip) | 22K 1/16W J | チ | ッ | ブ | 抵抗 | | 01 |
| R784 | RD355330 | Carbon Resistor (chip) | 330 1/16W J | チ | ッ | ブ | 抵抗 | | 01 |
| R785 | RD357470 | Carbon Resistor (chip) | 47K 1/16W J | チ | ッ | ブ | 抵抗 | | 01 |
| R786 | RD355330 | Carbon Resistor (chip) | 330 1/16W J | チ | ッ | ブ | 抵抗 | | 01 |
| R787 | RD357470 | Carbon Resistor (chip) | 47K 1/16W J | チ | ッ | ブ | 抵抗 | | 01 |
| R788 | RD357270 | Carbon Resistor (chip) | 27K 1/16W J | チ | ッ | ブ | 抵抗 | | 01 |
| R789 | RD357270 | Carbon Resistor (chip) | 27K 1/16W J | チ | ッ | ブ | 抵抗 | | 01 |
| R790 | RD358390 | Carbon Resistor (chip) | 390K 1/16W J | チ | ッ | ブ | 抵抗 | | 01 |
| -793 | RD358390 | Carbon Resistor (chip) | 390K 1/16W J | チ | ッ | ブ | 抵抗 | | 01 |
| R794 | RD357220 | Carbon Resistor (chip) | 22K 1/16W J | チ | ッ | ブ | 抵抗 | | 01 |
| R795 | RD357820 | Carbon Resistor (chip) | 82K 1/16W J | チ | ッ | ブ | 抵抗 | | 01 |
| R796 | RD357220 | Carbon Resistor (chip) | 22K 1/16W J | チ | ッ | ブ | 抵抗 | | 01 |
| R797 | RD357820 | Carbon Resistor (chip) | 82K 1/16W J | チ | ッ | ブ | 抵抗 | | 01 |
| R798 | RD355220 | Carbon Resistor (chip) | 220 1/16W J | チ | ッ | ブ | 抵抗 | | 01 |
| R799 | RD355220 | Carbon Resistor (chip) | 220 1/16W J | チ | ッ | ブ | 抵抗 | | 01 |
| R800 | RD357390 | Carbon Resistor (chip) | 39K 1/16W J | チ | ッ | ブ | 抵抗 | | 01 |
| R801 | RD357390 | Carbon Resistor (chip) | 39K 1/16W J | チ | ッ | ブ | 抵抗 | | 01 |
| R802 | RD156270 | Carbon Resistor (chip) | 2.7K 1/4W J | チ | ッ | ブ | 抵抗 | | 01 |
| R803 | RD355220 | Carbon Resistor (chip) | 220 1/16W J | チ | ッ | ブ | 抵抗 | | 01 |
| R804 | RD355220 | Carbon Resistor (chip) | 220 1/16W J | チ | ッ | ブ | 抵抗 | | 01 |
| R805 | RD357360 | Carbon Resistor (chip) | 36K 1/16W J | チ | ッ | ブ | 抵抗 | | 01 |
| R806 | RD357360 | Carbon Resistor (chip) | 36K 1/16W J | チ | ッ | ブ | 抵抗 | | 01 |
| R807 | RD355220 | Carbon Resistor (chip) | 220 1/16W J | チ | ッ | ブ | 抵抗 | | 01 |
| R808 | RD355220 | Carbon Resistor (chip) | 220 1/16W J | チ | ッ | ブ | 抵抗 | | 01 |
| R809 | RD356680 | Carbon Resistor (chip) | 6.8K 1/16W J | チ | ッ | ブ | 抵抗 | | 01 |

*: New Parts

RANK: Japan only

STMAS

| REF NO. | PART NO. | DESCRIPTION | | 部 品 名 | REMARKS | QTY | RANK |
|---------|----------|--------------------------|---------------------|-------------------|--------------------|-----|------|
| R810 | RD356680 | Carbon Resistor (chip) | 6.8K 1/16W J | チ ッ プ 抵 抗 | | | 01 |
| R811 | RD357150 | Carbon Resistor (chip) | 15K 1/16W J | チ ッ プ 抵 抗 | | | 01 |
| R812 | RD357150 | Carbon Resistor (chip) | 15K 1/16W J | チ ッ プ 抵 抗 | | | 01 |
| R813 | RD156270 | Carbon Resistor (chip) | 2.7K 1/4W J | チ ッ プ 抵 抗 | | | |
| R814 | RD358220 | Carbon Resistor (chip) | 220K 1/16W J | チ ッ プ 抵 抗 | | | 01 |
| R815 | RD358220 | Carbon Resistor (chip) | 220K 1/16W J | チ ッ プ 抵 抗 | | | 01 |
| R816 | RD357270 | Carbon Resistor (chip) | 27K 1/16W J | チ ッ プ 抵 抗 | | | 01 |
| -819 | RD357270 | Carbon Resistor (chip) | 27K 1/16W J | チ ッ プ 抵 抗 | | | 01 |
| R820 | RD357180 | Carbon Resistor (chip) | 18K 1/16W J | チ ッ プ 抵 抗 | | | 01 |
| -823 | RD357180 | Carbon Resistor (chip) | 18K 1/16W J | チ ッ プ 抵 抗 | | | 01 |
| R824 | RD357220 | Carbon Resistor (chip) | 22K 1/16W J | チ ッ プ 抵 抗 | | | 01 |
| R825 | RD357220 | Carbon Resistor (chip) | 22K 1/16W J | チ ッ プ 抵 抗 | | | 01 |
| RJ001 | RD350000 | Carbon Resistor (chip) | 0 1/16W J | チ ッ プ 抵 抗 | | | 01 |
| -015 | RD350000 | Carbon Resistor (chip) | 0 1/16W J | チ ッ プ 抵 抗 | | | 01 |
| RJ017 | RD350000 | Carbon Resistor (chip) | 0 1/16W J | チ ッ プ 抵 抗 | | | 01 |
| -019 | RD350000 | Carbon Resistor (chip) | 0 1/16W J | チ ッ プ 抵 抗 | | | 01 |
| SW101 | V9683900 | Push Switch | PS-42E85L(3.3X3.3) | ブ ッ シ ュ S W | CH ON/OFF(CH7/8) | | 01 |
| SW102 | V9683600 | Push Switch | PS-22E85L52 | ブ ッ シ ュ S W | PRE(CH7/8) | | 01 |
| SW103 | V9683600 | Push Switch | PS-22E85L52 | ブ ッ シ ュ S W | PFL(CH7/8) | | 01 |
| SW201 | V9683900 | Push Switch | PS-42E85L(3.3X3.3) | ブ ッ シ ュ S W | CH ON/OFF(CH9/10) | | 01 |
| SW202 | V9683600 | Push Switch | PS-22E85L52 | ブ ッ シ ュ S W | PRE(CH9/10) | | 01 |
| SW203 | V9683600 | Push Switch | PS-22E85L52 | ブ ッ シ ュ S W | PFL(CH9/10) | | 01 |
| SW301 | V9683900 | Push Switch | PS-42E85L(3.3X3.3) | ブ ッ シ ュ S W | CH ON/OFF(CH11/12) | | 01 |
| SW302 | V9683600 | Push Switch | PS-22E85L52 | ブ ッ シ ュ S W | PRE(CH11/12) | | 01 |
| SW303 | V9683600 | Push Switch | PS-22E85L52 | ブ ッ シ ュ S W | PFL(CH11/12) | | 01 |
| SW401 | V9683900 | Push Switch | PS-42E85L(3.3X3.3) | ブ ッ シ ュ S W | CH ON/OFF(CH13/14) | | 01 |
| SW402 | V9683600 | Push Switch | PS-22E85L52 | ブ ッ シ ュ S W | PRE(CH13/14) | | 01 |
| SW403 | V9683600 | Push Switch | PS-22E85L52 | ブ ッ シ ュ S W | PFL(CH13/14) | | 01 |
| SW501 | V9683600 | Push Switch | PS-22E85L52 | ブ ッ シ ュ S W | STAND-BY | | 01 |
| SW502 | V9683900 | Push Switch | PS-42E85L(3.3X3.3) | ブ ッ シ ュ S W | GEQ ON | | 01 |
| SW503 | V9683600 | Push Switch | PS-22E85L52 | ブ ッ シ ュ S W | PFL(ST) | | 01 |
| SW504 | V9683600 | Push Switch | PS-22E85L52 | ブ ッ シ ュ S W | AFL(ST) | | 01 |
| SW505 | V9683600 | Push Switch | PS-22E85L52 | ブ ッ シ ュ S W | AFL(AUX1) | | 01 |
| SW506 | V9683600 | Push Switch | PS-22E85L52 | ブ ッ シ ュ S W | AFL(AUX2) | | 01 |
| SW601 | V9683600 | Push Switch | PS-22E85L52 | ブ ッ シ ュ S W | METER SELECT | | 01 |
| SW602 | V8058000 | Slide Switch | 1-P242BP_-JA6 | ス ラ イ ド S W | PHANTOM | | 03 |
| SW603 | WA387900 | Push Switch | PS-22E85NL(3.3X3.3) | ブ ッ シ ュ S W | EFFECT ON/OFF | | 01 |
| SW604 | V9683600 | Push Switch | PS-22E85L52 | ブ ッ シ ュ S W | PFL(EFFECT RTN) | | 01 |
| SW605 | V8059400 | Slide Switch | 1-P243OH_-PA6 | ス ラ イ ド S W | LIMITER | | 03 |
| SW606 | V9683900 | Push Switch | PS-42E85L(3.3X3.3) | ブ ッ シ ュ S W | YSP | | 01 |
| SW607 | V8059400 | Slide Switch | 1-P243OH_-PA6 | ス ラ イ ド S W | POWER SELECT | | 03 |
| VR101 | V9791200 | Rotary Variable Resistor | XV012313Y 1B50K | 2 連 ロ ー タ リ ー V R | LOW(CH7/8) | | 04 |
| VR102 | V9791200 | Rotary Variable Resistor | XV012313Y 1B50K | 2 連 ロ ー タ リ ー V R | MID(CH7/8) | | 04 |
| VR103 | V9791200 | Rotary Variable Resistor | XV012313Y 1B50K | 2 連 ロ ー タ リ ー V R | HIGH(CH7/8) | | 04 |
| VR104 | WA507600 | Slide Variable Resistor | 6011DY6009 | 二 連 ス ラ イ ド V R | FADER(CH7/8) | | 05 |
| VR105 | V9886100 | Rotary Variable Resistor | XV012313Y 15A15C20 | 2 連 ロ ー タ リ ー V R | PAN/BAL(CH7/8) | | 04 |
| * VR106 | WF704200 | Rotary Variable Resistor | B 20.0K XV012313 | 2 連 ロ ー タ リ ー V R | AUX1(CH7/8) | | |
| * VR107 | WF704200 | Rotary Variable Resistor | B 20.0K XV012313 | 2 連 ロ ー タ リ ー V R | AUX2(CH7/8) | | |
| * VR108 | WF704200 | Rotary Variable Resistor | B 20.0K XV012313 | 2 連 ロ ー タ リ ー V R | EFFECT1(CH7/8) | | |
| VR201 | V9791200 | Rotary Variable Resistor | XV012313Y 1B50K | 2 連 ロ ー タ リ ー V R | LOW(CH9/10) | | 04 |
| VR202 | V9791200 | Rotary Variable Resistor | XV012313Y 1B50K | 2 連 ロ ー タ リ ー V R | MID(CH9/10) | | 04 |
| VR203 | V9791200 | Rotary Variable Resistor | XV012313Y 1B50K | 2 連 ロ ー タ リ ー V R | HIGH(CH9/10) | | 04 |
| VR204 | WA507600 | Slide Variable Resistor | 6011DY6009 | 二 連 ス ラ イ ド V R | FADER(CH9/10) | | 05 |
| VR205 | V9886100 | Rotary Variable Resistor | XV012313Y 15A15C20 | 2 連 ロ ー タ リ ー V R | PAN/BAL(CH9/10) | | 04 |
| * VR206 | WF704200 | Rotary Variable Resistor | B 20.0K XV012313 | 2 連 ロ ー タ リ ー V R | AUX1(CH9/10) | | |
| * VR207 | WF704200 | Rotary Variable Resistor | B 20.0K XV012313 | 2 連 ロ ー タ リ ー V R | AUX2(CH9/10) | | |
| * VR208 | WF704200 | Rotary Variable Resistor | B 20.0K XV012313 | 2 連 ロ ー タ リ ー V R | EFFECT1(CH9/10) | | |
| VR301 | V9791200 | Rotary Variable Resistor | XV012313Y 1B50K | 2 連 ロ ー タ リ ー V R | LOW(CH11/12) | | 04 |
| VR302 | V9791200 | Rotary Variable Resistor | XV012313Y 1B50K | 2 連 ロ ー タ リ ー V R | MID(CH11/12) | | 04 |
| VR303 | V9791200 | Rotary Variable Resistor | XV012313Y 1B50K | 2 連 ロ ー タ リ ー V R | HIGH(CH11/12) | | 04 |
| VR304 | WA507600 | Slide Variable Resistor | 6011DY6009 | 二 連 ス ラ イ ド V R | FADER(CH11/12) | | 05 |
| VR305 | V9886100 | Rotary Variable Resistor | XV012313Y 15A15C20 | 2 連 ロ ー タ リ ー V R | PAN/BAL(CH11/12) | | 04 |
| * VR306 | WF704200 | Rotary Variable Resistor | B 20.0K XV012313 | 2 連 ロ ー タ リ ー V R | AUX1(CH11/12) | | |
| * VR307 | WF704200 | Rotary Variable Resistor | B 20.0K XV012313 | 2 連 ロ ー タ リ ー V R | AUX2(CH11/12) | | |
| * VR308 | WF704200 | Rotary Variable Resistor | B 20.0K XV012313 | 2 連 ロ ー タ リ ー V R | EFFECT1(CH11/12) | | |
| VR401 | V9791200 | Rotary Variable Resistor | XV012313Y 1B50K | 2 連 ロ ー タ リ ー V R | LOW(CH13/14) | | 04 |
| VR402 | V9791200 | Rotary Variable Resistor | XV012313Y 1B50K | 2 連 ロ ー タ リ ー V R | MID(CH13/14) | | 04 |
| VR403 | V9791200 | Rotary Variable Resistor | XV012313Y 1B50K | 2 連 ロ ー タ リ ー V R | HIGH(CH13/14) | | 04 |
| VR404 | WA507600 | Slide Variable Resistor | 6011DY6009 | 二 連 ス ラ イ ド V R | FADER(CH13/14) | | 05 |
| VR405 | V9886100 | Rotary Variable Resistor | XV012313Y 15A15C20 | 2 連 ロ ー タ リ ー V R | PAN/BAL(CH13/14) | | 04 |

*: New Parts

RANK: Japan only

STMAS & FAN

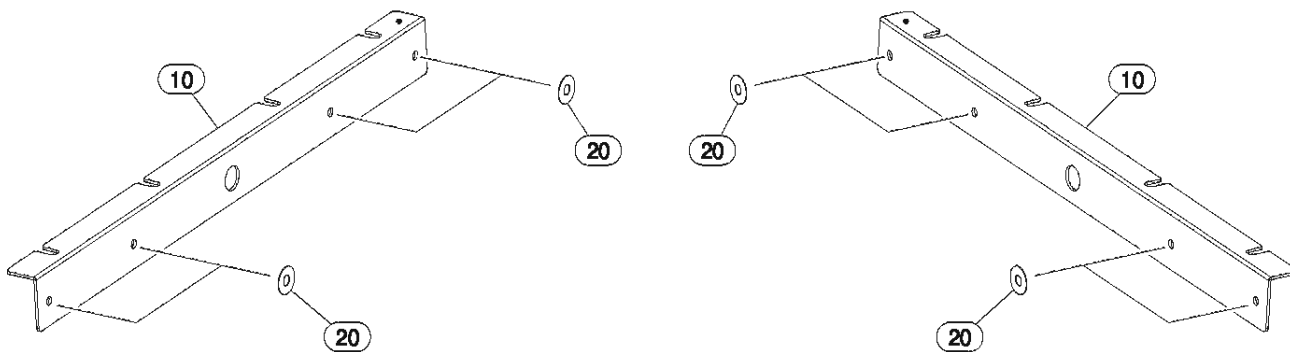
| REF NO. | PART NO. | DESCRIPTION | | 部 品 名 | REMARKS | QTY | RANK |
|---------|----------|--------------------------|--------------------|-------------|------------------------|-----|------|
| * VR406 | WF704200 | Rotary Variable Resistor | B 20.0K XV012313 | 2 連 ロータリ-VR | AUX1(CH13/14) | | |
| * VR407 | WF704200 | Rotary Variable Resistor | B 20.0K XV012313 | 2 連 ロータリ-VR | AUX2(CH13/14) | | |
| * VR408 | WF704200 | Rotary Variable Resistor | B 20.0K XV012313 | 2 連 ロータリ-VR | EFFECT1(CH13/14) | | |
| VR501 | WA076400 | Slide Variable Resistor | RS20H123D | 二連スライドVR | GRAPHIC EQUALIZER(63) | | 03 |
| VR502 | WA076400 | Slide Variable Resistor | RS20H123D | 二連スライドVR | GRAPHIC EQUALIZER(125) | | 03 |
| VR503 | WA076400 | Slide Variable Resistor | RS20H123D | 二連スライドVR | GRAPHIC EQUALIZER(250) | | 03 |
| VR504 | WA076400 | Slide Variable Resistor | RS20H123D | 二連スライドVR | GRAPHIC EQUALIZER(500) | | 03 |
| VR505 | WA076400 | Slide Variable Resistor | RS20H123D | 二連スライドVR | GRAPHIC EQUALIZER(1K) | | 03 |
| VR506 | WA076400 | Slide Variable Resistor | RS20H123D | 二連スライドVR | GRAPHIC EQUALIZER(2K) | | 03 |
| VR507 | WA076400 | Slide Variable Resistor | RS20H123D | 二連スライドVR | GRAPHIC EQUALIZER(4K) | | 03 |
| VR508 | WA076400 | Slide Variable Resistor | RS20H123D | 二連スライドVR | GRAPHIC EQUALIZER(8K) | | 03 |
| VR509 | WA076400 | Slide Variable Resistor | RS20H123D | 二連スライドVR | GRAPHIC EQUALIZER(16K) | | 03 |
| * VR510 | WF704200 | Rotary Variable Resistor | B 20.0K XV012313 | 2 連 ロータリ-VR | ST SUB OUT | | |
| VR511 | WA507600 | Slide Variable Resistor | 6011DY6009 | 二連スライドVR | ST MASTER FADER | | 05 |
| VR512 | WA507500 | Slide Variable Resistor | 1SY6008 | スライドVR | AUX1 FADER | | 04 |
| VR513 | WA507500 | Slide Variable Resistor | 1SY6008 | スライドVR | AUX2 FADER | | 04 |
| VR601 | V8265100 | Rotary Variable Resistor | A 20K XV012313 | 2 連 ロータリ-VR | PHONES | | 04 |
| VR602 | WA507600 | Slide Variable Resistor | 6011DY6009 | 二連スライドVR | EFFECT RTN FADER | | 05 |
| * VR603 | WF704200 | Rotary Variable Resistor | B 20.0K XV012313 | 2 連 ロータリ-VR | AUX1 | | |
| * VR604 | WF704200 | Rotary Variable Resistor | B 20.0K XV012313 | 2 連 ロータリ-VR | AUX2 | | |
| VR605 | V8264800 | Rotary Variable Resistor | B 10K XV09213YNP | ロータリ-VR | PARAMETER | | 03 |
| ZD101 | VU171800 | Zener Diode | UDZS4.7BTE-17 4.7V | ツェナーダイオード | | | 01 |
| ZD201 | VU171800 | Zener Diode | UDZS4.7BTE-17 4.7V | ツェナーダイオード | | | 01 |
| ZD301 | VU171800 | Zener Diode | UDZS4.7BTE-17 4.7V | ツェナーダイオード | | | 01 |
| ZD401 | VU171800 | Zener Diode | UDZS4.7BTE-17 4.7V | ツェナーダイオード | | | 01 |
| | WC521600 | Fan | CD85NJ200010 | D C ファン | | 2 | 06 |
| | V3122900 | Ferrite Core | K1 NFT-13BK2 | データラインフィルタ | | | 06 |
| | WD176200 | AC Cord | J 3x0.75 | 電源コード | J | | 06 |
| | WC249500 | AC Cord | UC SJT 18/3 | 電源コード | U | | 05 |
| | WC249600 | AC Cord | E H05VV-F 3x1.0 | 電源コード | H,A | | 05 |
| | WD296400 | AC Cord | 1 VCTF O.75x3 | 電源コード | O | | 06 |
| | WC249700 | AC Cord | B H05VV-F 3x1.0 | 電源コード | B | | 06 |

△
△
△
△
△

*: New Parts

RANK: Japan only

■ RK5014 RACK MOUNT KIT (ラックマウントキット)



| REF NO. | PART NO. | DESCRIPTION | | 部 品 名 | REMARKS | QTY | RANK |
|---------|----------|-----------------------|-------|-----------------|-----------|-----|------|
| | | RACK MOUNT KIT | | ラックマウントキット | RK5014 | | |
| * 10 | -- | Rack Bracket Assembly | | ラック金具 A s s ' y | (WH03390) | 2 | |
| * 20 | WG121700 | Rack Bracket | | ラック金具 塗装上り | | | |
| | WG913600 | Rack Bracket Washer | 20 20 | ラック金具ワッシャー | | 4 | |
| | | | | | | | |
| | | | | | | | |
| | | | | | | | |
| | | | | | | | |

*: New Parts

RANK: Japan only

POWERED MIXER

EMX5014C

CIRCUIT DIAGRAM

■ CONTENTS (目次)

| | |
|---------------------------------------|----|
| IC & DIODE OUTSIDE FIGURE (外形図) | 2 |
| BLOCK DIAGRAM (ブロックダイアグラム) | 3 |
| OVERALL CIRCUIT DIAGRAM (総回路図) | |
| INJK 1/2 | 4 |
| INJK 2/2 | 5 |
| MASJK & CNT01 | 6 |
| IN6 1/2 | 7 |
| IN6 2/2 | 8 |
| STMAS 1/4 | 9 |
| STMAS 2/4 | 10 |
| STMAS 3/4 | 11 |
| STMAS 4/4 | 12 |
| DSP | 13 |
| PA | 14 |
| PS | 15 |
| OUT & INLET | 16 |


■ Capacitor (コンデンサー)


| | | |
|--------|----------------------------------|-----------------|
| ⌘ | : Electrolytic Capacitor | (ケミカルコンデンサー) |
| 規格認定コン | : Capacitor | (規格認定コン) |
| (セ) | : Ceramic Capacitor | (セラミックコンデンサー) |
| (KL) | : Electrolytic Capacitor KL type | (マイラーコンデンサー) |
| (フ) | : Film Capacitor | (フィルムコンデンサー) |
| (マイカ) | : Mica Capacitor | (マイラーコンデンサー) |
| (マ) | : Mylar Capacitor | (マイラーコンデンサー) |
| (PP) | : Polypropylene Capacitor | (ポリプロピレンコンデンサー) |

■ Resistor (抵抗)

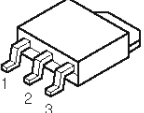
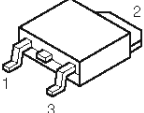
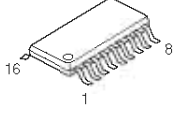
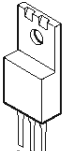
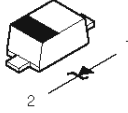
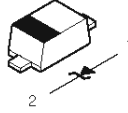
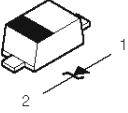
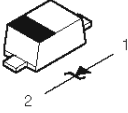
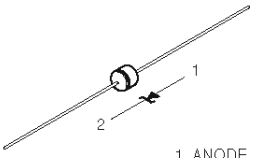
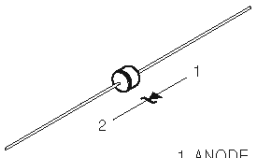
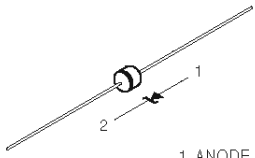
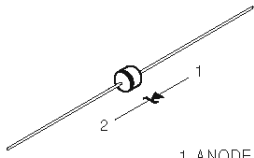
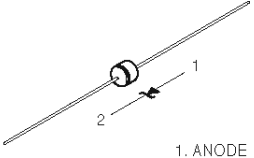
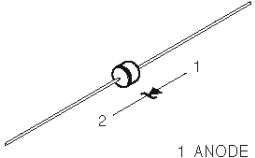
| | | |
|-----|-----------------------------|-------------|
| (フ) | : Flame Proof C. Resistor | (不燃化カーボン抵抗) |
| (D) | : Metal Film Resistor | (金属被膜抵抗) |
| (F) | : Metal Film Resistor | (金属被膜抵抗) |
| 酸金 | : Metal Oxide Film Resistor | (酸化金属被膜抵抗) |

■ WARNING (注意)

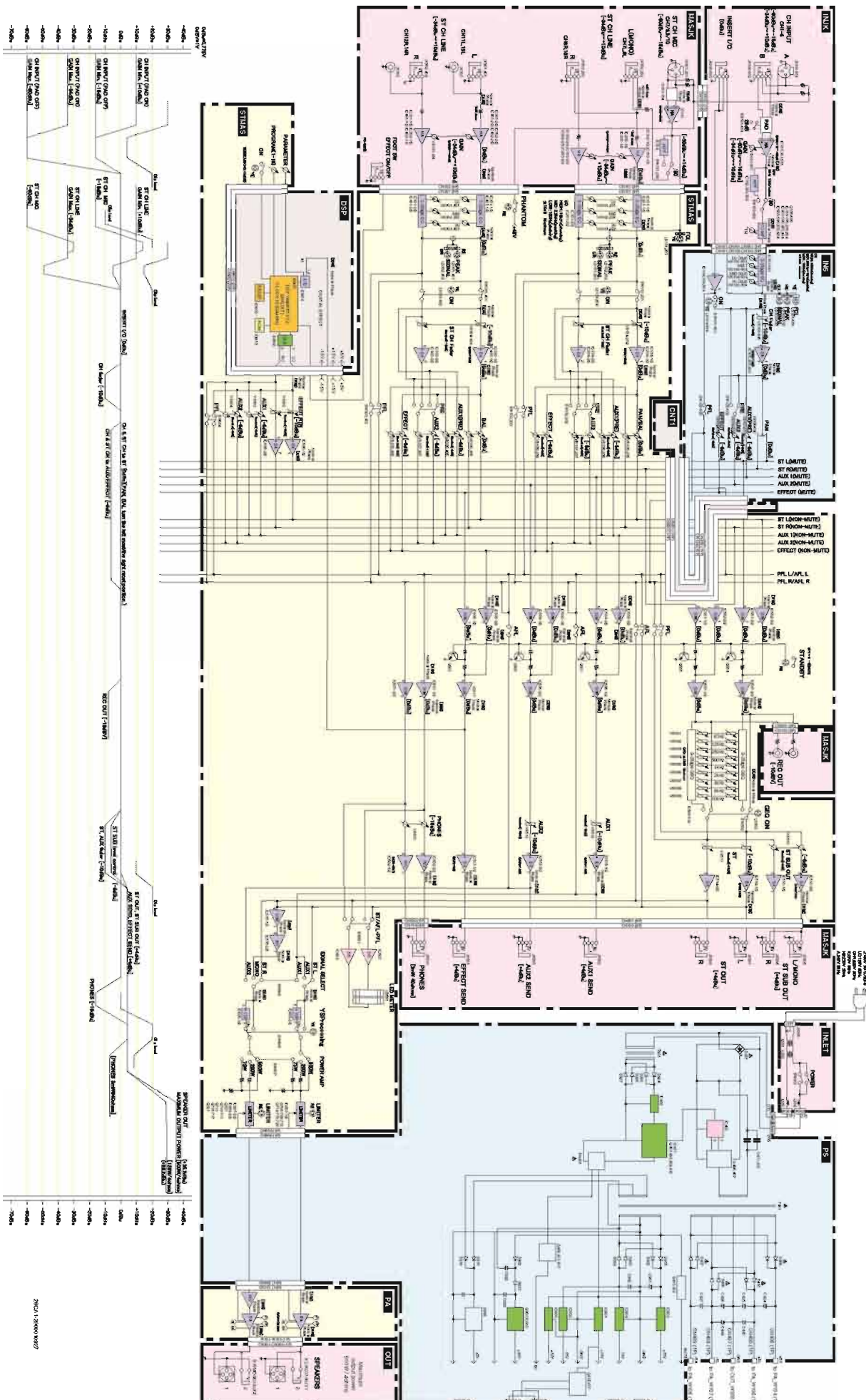
Components having special characteristics are marked  and must be replaced with parts having specification equal to those originally installed.

 印の部品は、安全を維持するために重要な部品です。交換する場合は、安全のために必ず指定の部品をご使用ください。

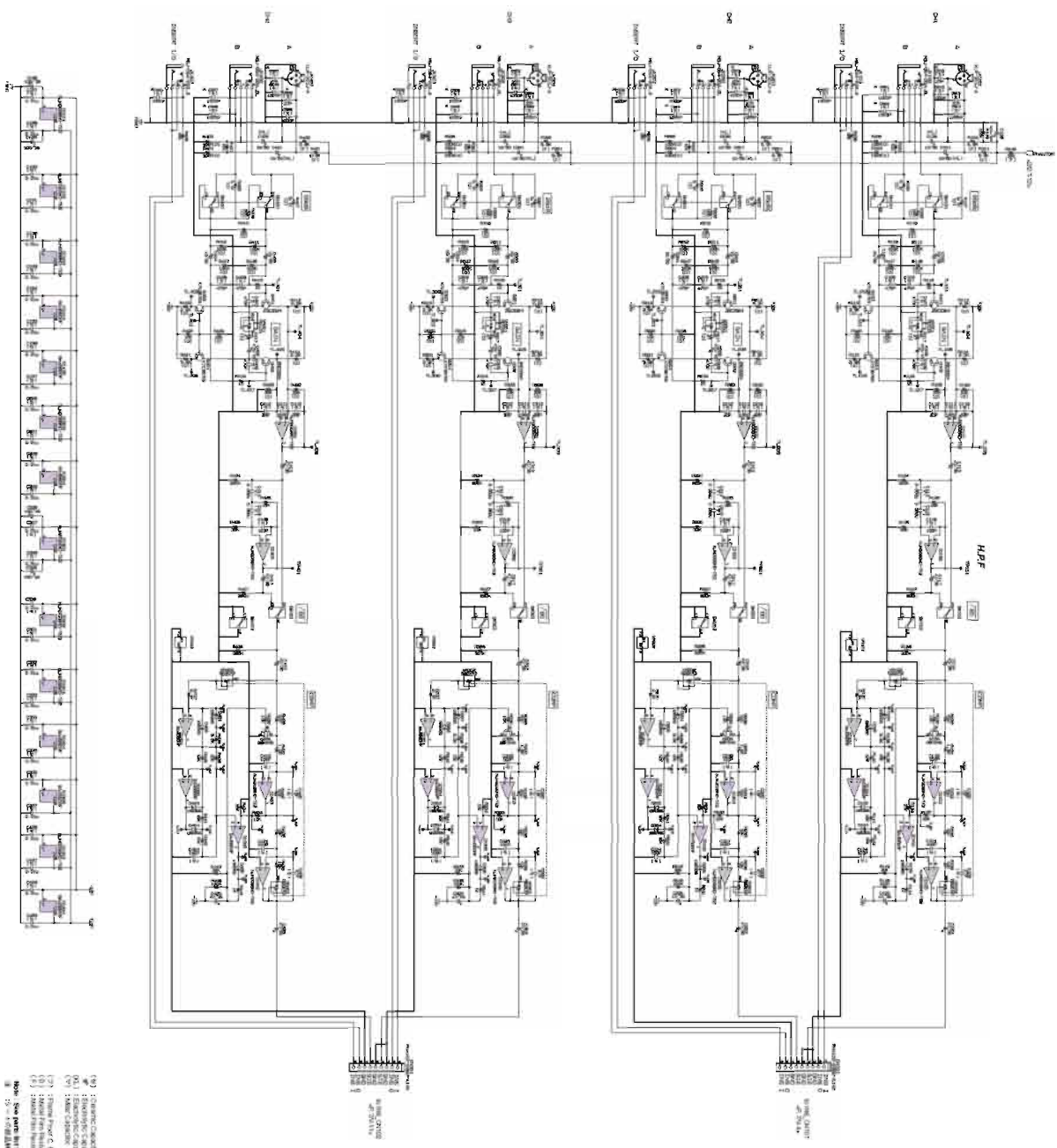
■ IC & DIODE OUTSIDE FIGURE (外形図)

| | | | |
|--|--|--|---|
| <p>• RH5RZ25CA-T1 (X3679A00) REGULATOR +2.5V DSP:ICM05</p>  <p>1 GND 2 V_{in} 3 V_{out}</p> | <p>• μPC2933AT-E1 (X0638A00) REGULATOR +3.3V DSP:ICM06</p>  <p>1 V_{in} 2 GND 3 V_{out}</p> | <p>• SG3525A (X2383A00) REGULATOR +3.3V PS:IC401</p>  | <p>• NJM78M15FA (XJ603A00) REGULATOR +15V PS:IC403</p>  <p>1 OUTPUT 2 COMMON 3 INPUT</p> |
| <p>• UDZS4.7B (VU171800) ZENER DIODE IN6: ZD101,ZD201,ZD301,ZD401, ZD501,ZD601 STMAS: ZD101,ZD201,ZD301,ZD401</p>  <p>1 ANODE 2 CATHODE</p> | <p>• UDZS12B (VU172800) ZENER DIODE PA: D0101</p>  <p>1 ANODE 2 CATHODE</p> | <p>• UDZS3.9B (VU171600) ZENER DIODE PA: D0107</p>  <p>1 ANODE 2 CATHODE</p> | <p>• UDZS5.6B (VU172000) ZENER DIODE PA: D0136,D0137</p>  <p>1 ANODE 2 CATHODE</p> |
| <p>• MTZJ15B (VG440800) ZENER DIODE PS:D428</p>  <p>1 ANODE 2 CATHODE</p> | <p>• MTZJ27B (VG442900) ZENER DIODE PS:ZD901,ZD904</p>  <p>1 ANODE 2 CATHODE</p> | <p>• MTZJ33B (VG443700) ZENER DIODE PS:ZD902</p>  <p>1 ANODE 2 CATHODE</p> | <p>• MTZJ16B (VG441100) ZENER DIODE PS:ZD903</p>  <p>1 ANODE 2 CATHODE</p> |
| <p>• MTZJ8.2B (VG438900) ZENER DIODE PS:ZD905</p>  <p>1. ANODE 2. CATHODE</p> | <p>• MTZJ12B (VG440200) ZENER DIODE PS:ZD906</p>  <p>1 ANODE 2 CATHODE</p> | | |

■ BLOCK DIAGRAM (ブロックダイアグラム)



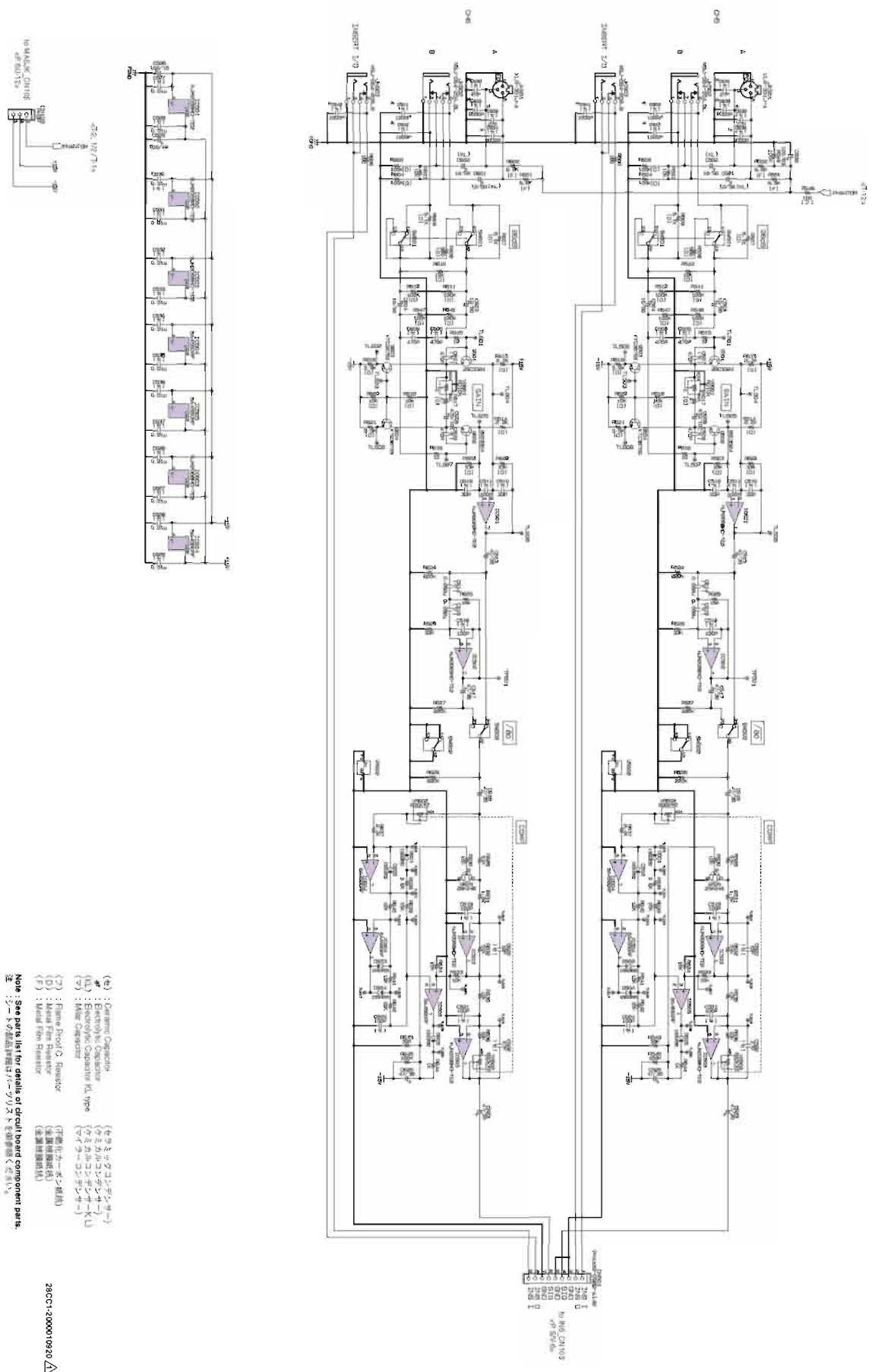
INJK CIRCUIT DIAGRAM 1/2



- (R) : RESISTOR
- (C) : CAPACITOR
- (Q) : SEMICONDUCTOR
- (U) : IC
- (D) : DIODE
- (S) : SWITCH
- (P) : POTENTIOMETER
- (V) : VARIABLE CAPACITOR
- (F) : FUSE
- (L) : INDUCTOR
- (T) : TRANSFORMER
- (M) : MOTOR
- (A) : ALARM BELL
- (B) : BATTERY
- (G) : GROUND
- (N) : NOT
- (E) : AND
- (O) : OR
- (X) : EXCLUSIVE OR
- (Y) : NAND
- (Z) : NOR
- (*) : OTHER

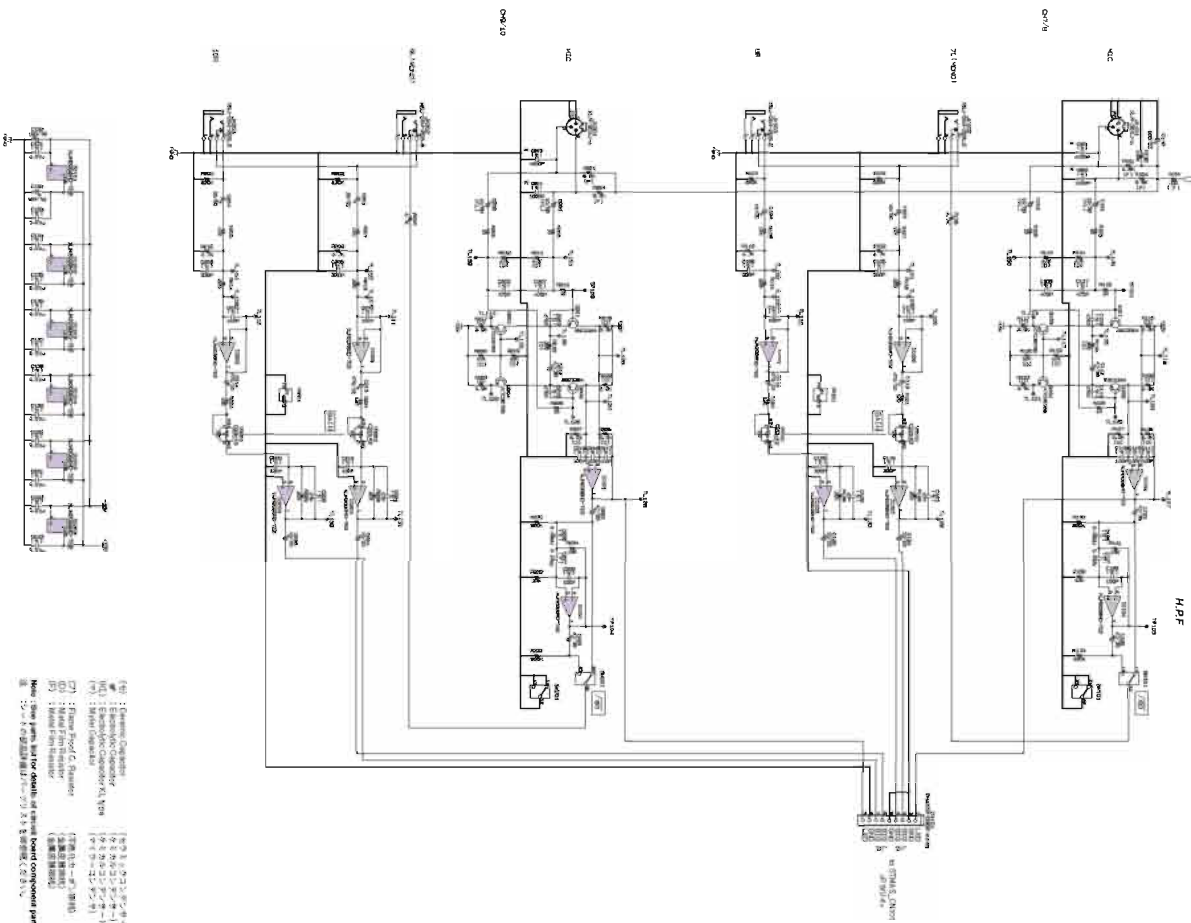
RECI ENGINEERING

INJK CIRCUIT DIAGRAM 2/2

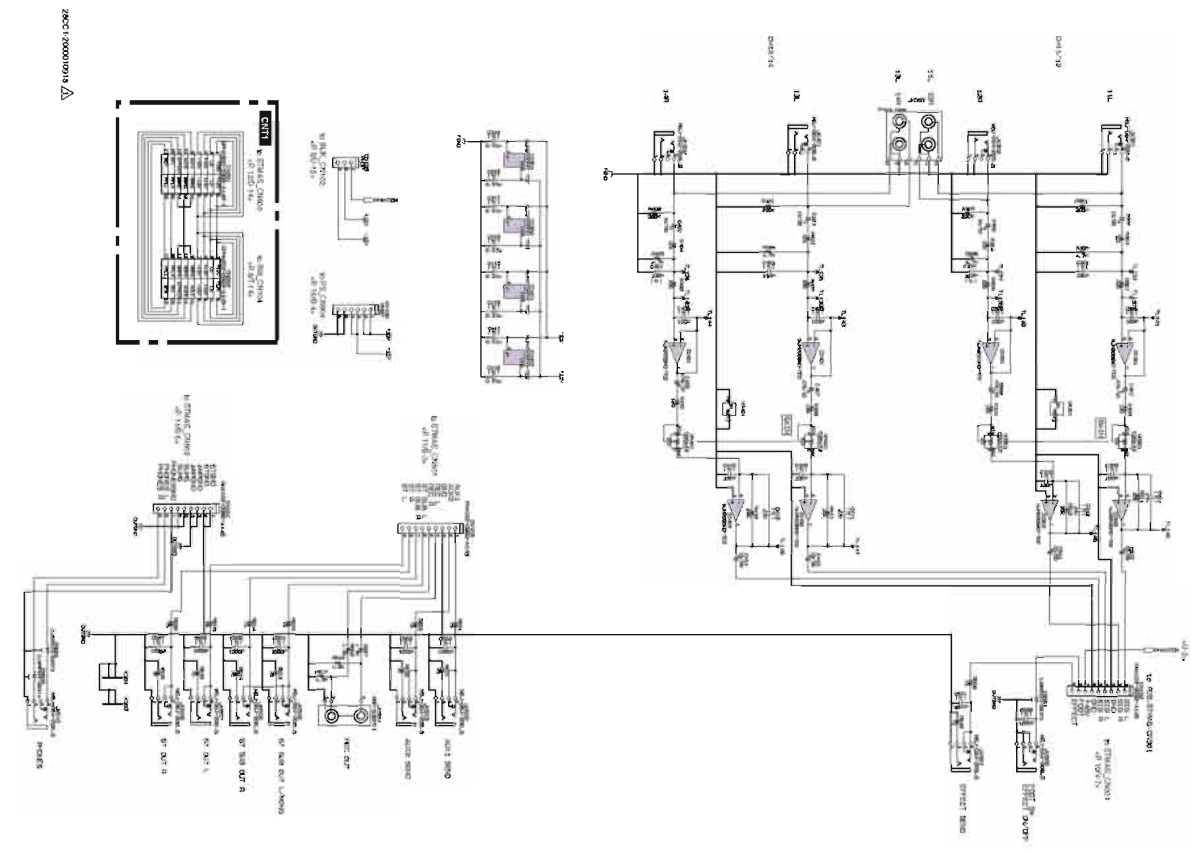


MASJK & CNT01 CIRCUIT DIAGRAM

13530K

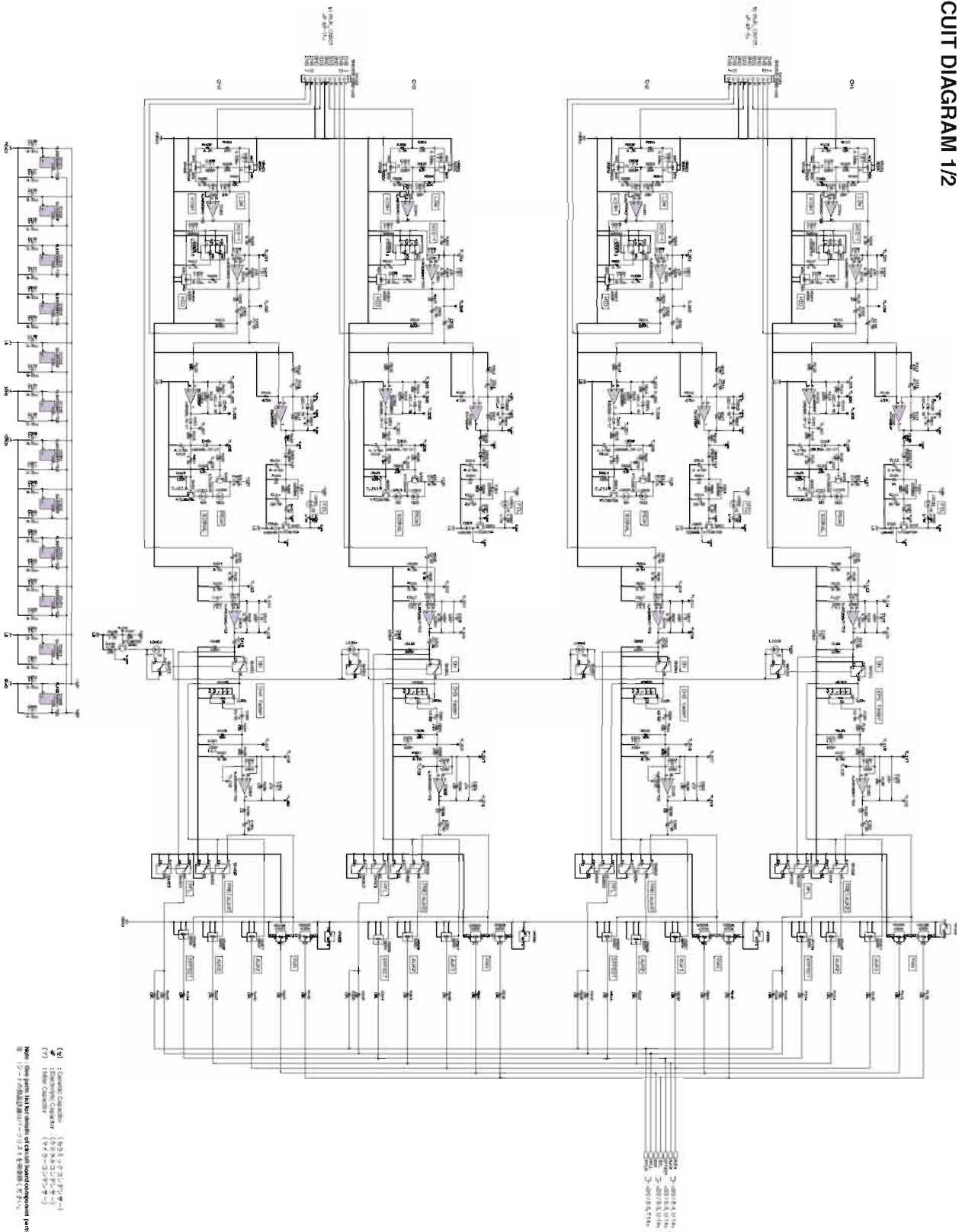


- (R) : General Relays
- (D) : Diode
- (C) : Capacitor
- (U) : Microcontroller
- (M) : Motor
- (S) : Switch
- (F) : Fuse
- (V) : Variable Resistor
- (P) : Photo Coupler
- (N) : Relay
- (L) : LED
- (I) : Inductor
- (O) : Other



200V 2000VA/10A
 200V 2000VA/10A

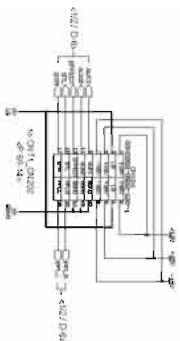
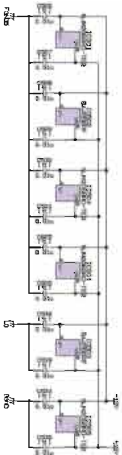
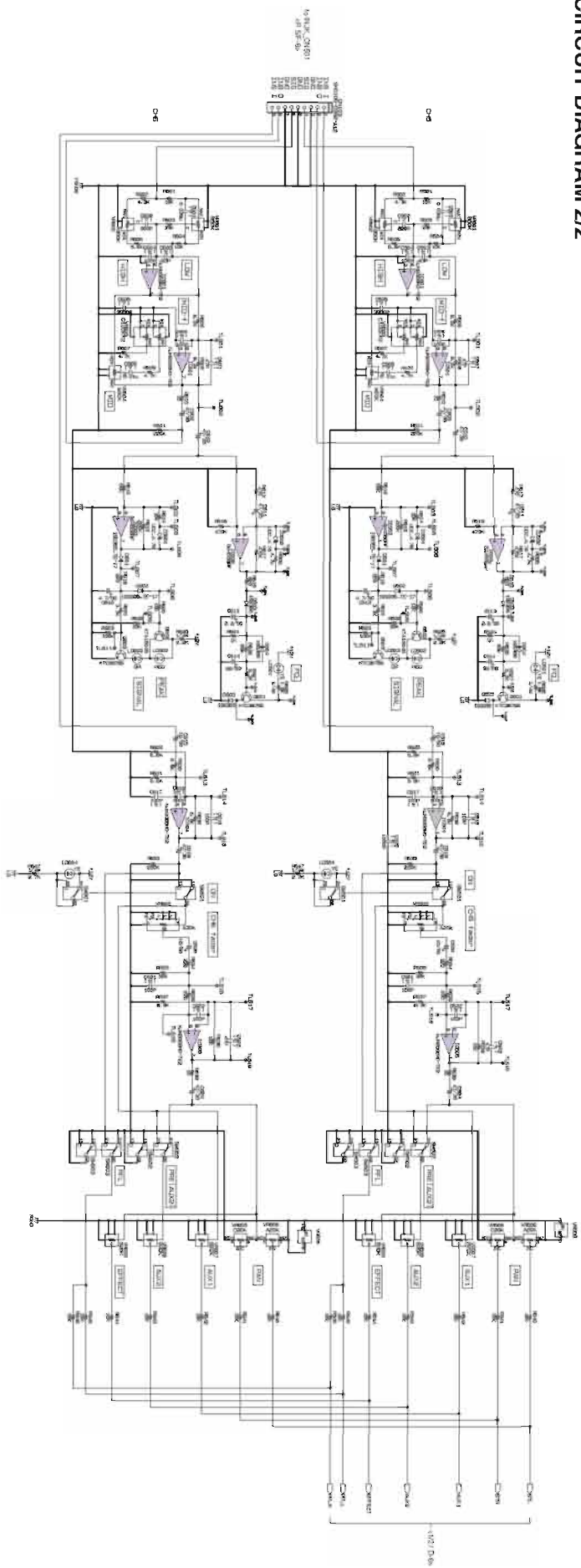
IN6 CIRCUIT DIAGRAM 1/2



(*) : Component Standard
 (○) : Interchangeable Component
 (◇) : Same Component
 Note: Same parts are the results of different layout component parts.
 注: コーシの異なる部品は同一部品である。

2021.03.09(2021.03.09)

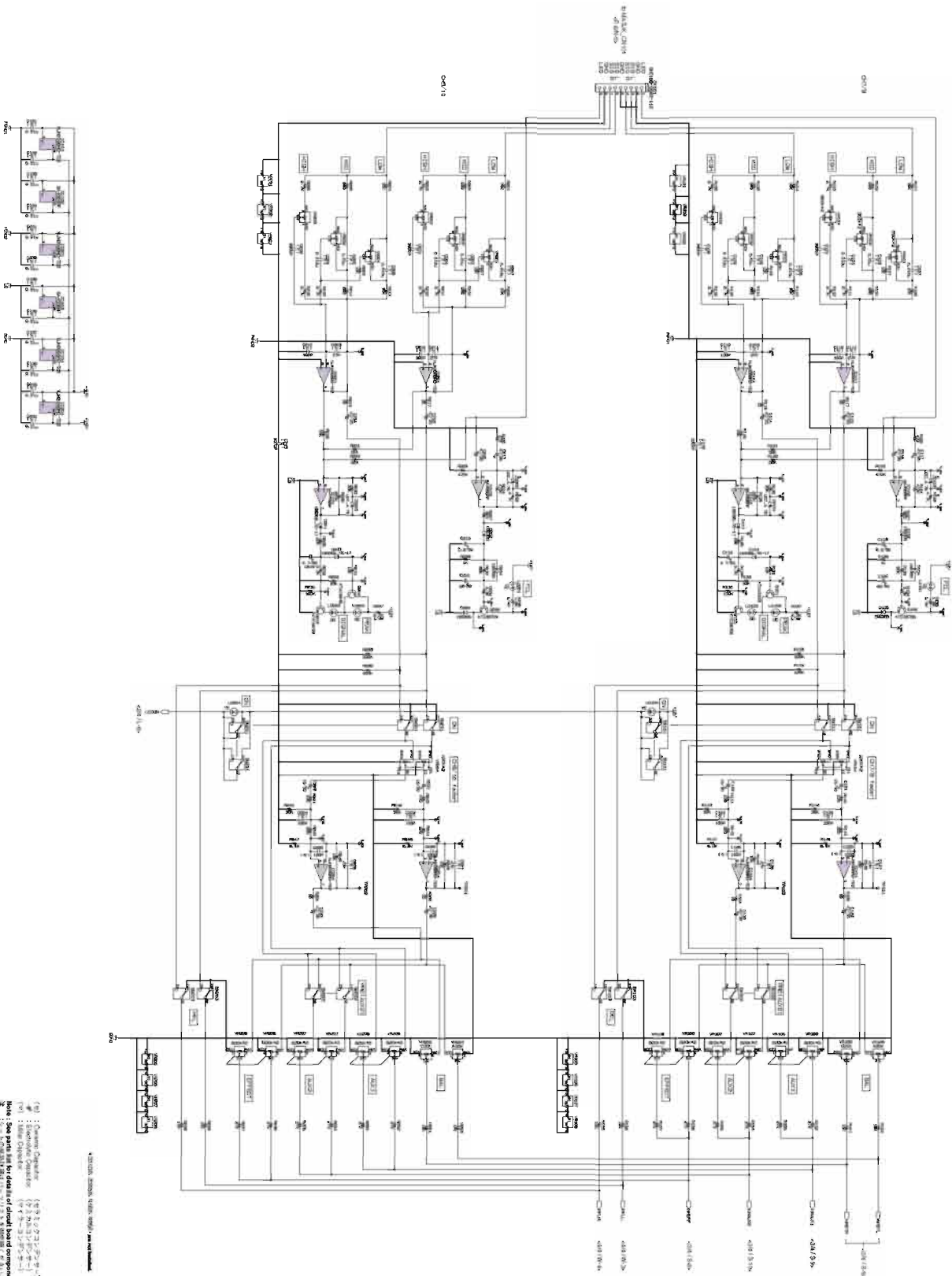
IN6 CIRCUIT DIAGRAM 2/2



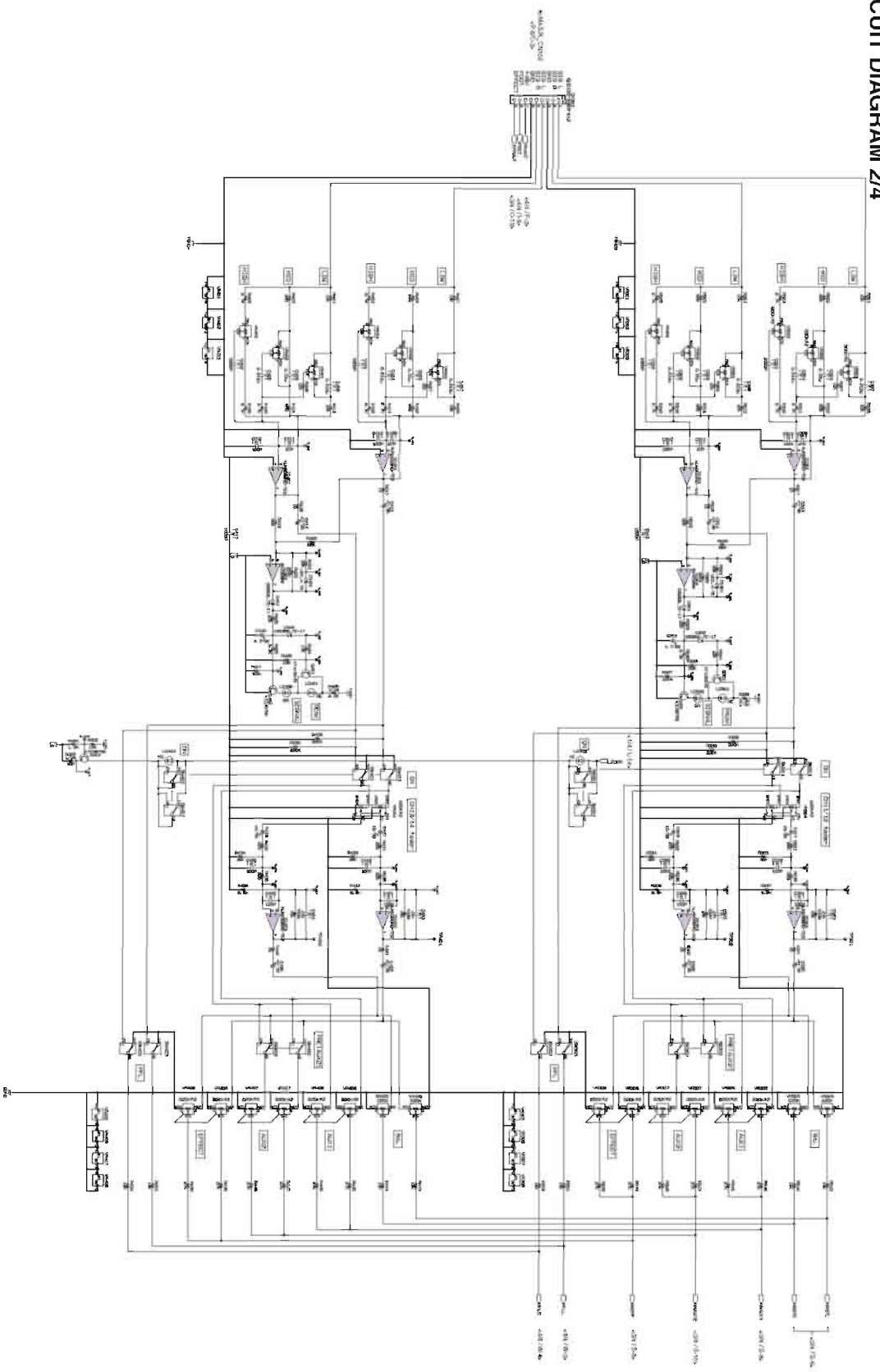
(*) : Ceramic Capacitor
 (○) : Electrolytic Capacitor
 (△) : Metal Capacitor
 Note : See parts list for details of circuit board component parts.
 注 : シームの部品仕様書にてパーツの部品番号(△を除く)

28C0120001091B △

■ STMAS CIRCUIT DIAGRAM 1/4



■ STMAS CIRCUIT DIAGRAM 2/4

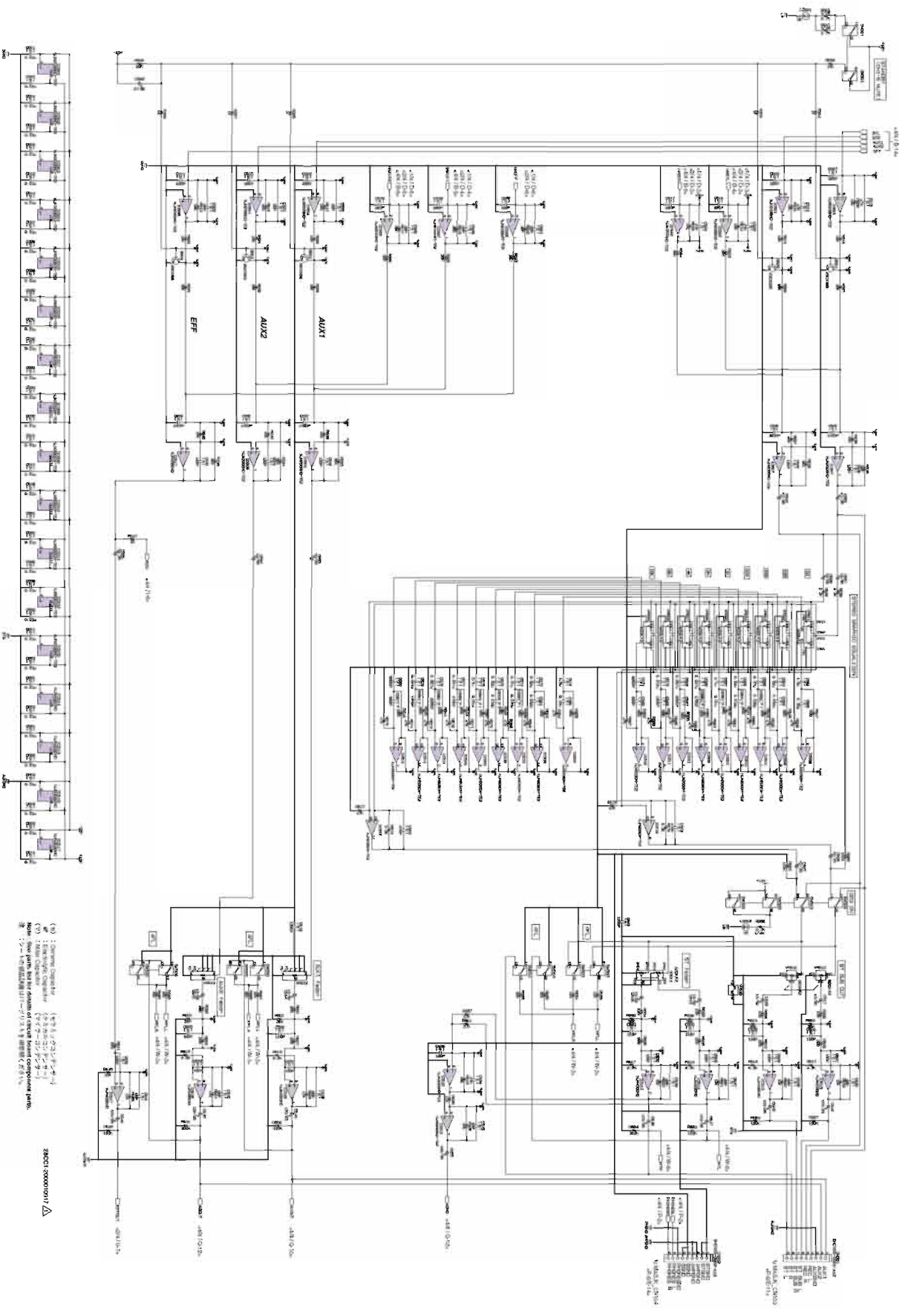


(A) : Driver A
 (B) : Driver B
 (C) : Driver C
 (D) : Driver D

Note: See parts list for details of detail board component parts.
 注: シームの部品リストを参照してください。

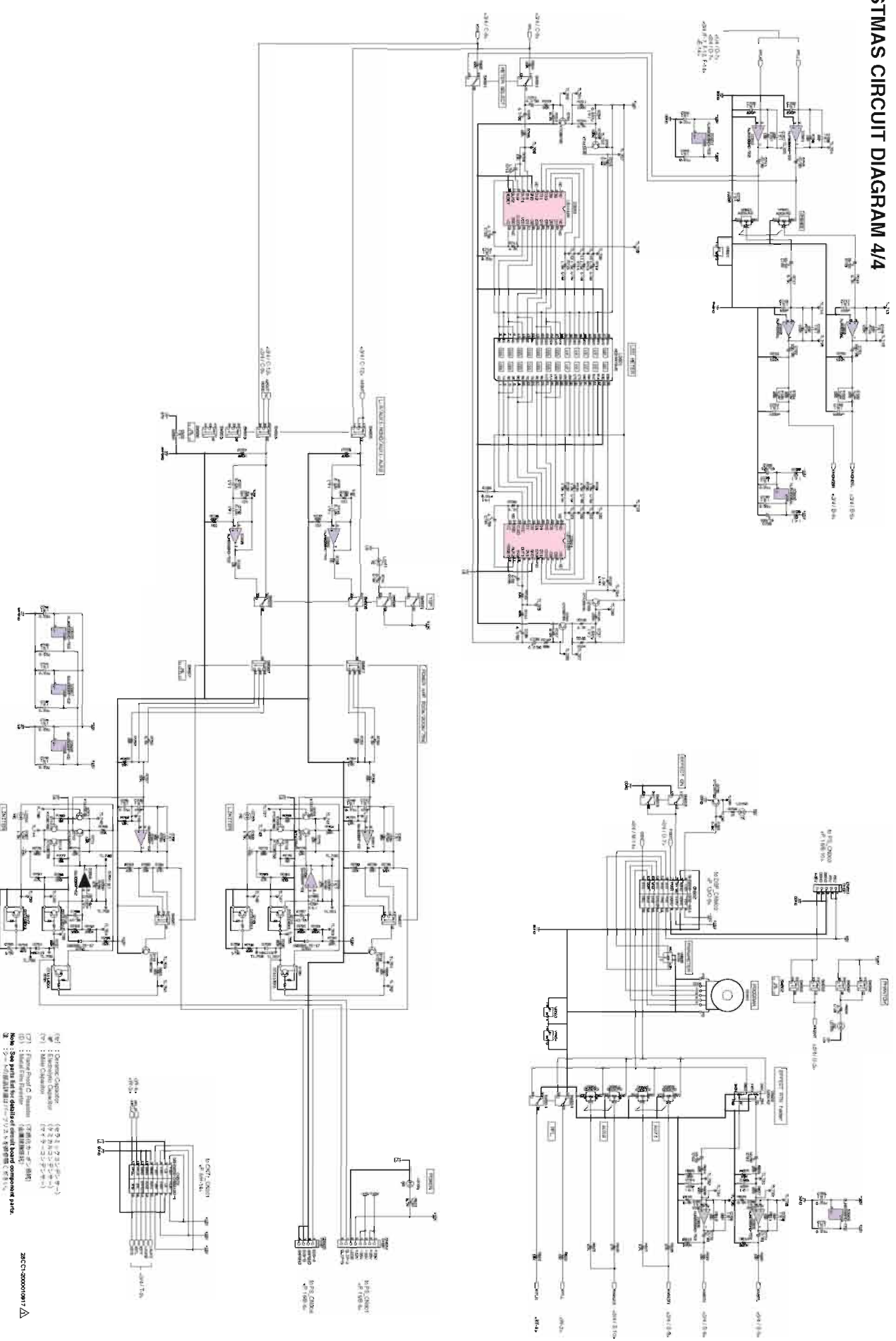
ZBCI 00000917

■ STMAS CIRCUIT DIAGRAM 3/4



(1) : 2SC1000, 2SC1001, 2SC1002, 2SC1003, 2SC1004, 2SC1005, 2SC1006, 2SC1007, 2SC1008, 2SC1009, 2SC1010, 2SC1011, 2SC1012, 2SC1013, 2SC1014, 2SC1015, 2SC1016, 2SC1017, 2SC1018, 2SC1019, 2SC1020.
 (2) : 1N4001, 1N4002, 1N4003, 1N4004, 1N4005, 1N4006, 1N4007, 1N4008, 1N4009, 1N4010, 1N4011, 1N4012, 1N4013, 1N4014, 1N4015, 1N4016, 1N4017, 1N4018, 1N4019, 1N4020.
 (3) : 1000µF, 220µF, 100µF, 47µF, 22µF, 10µF, 1µF, 0.1µF, 0.01µF, 0.001µF, 0.0001µF, 0.00001µF, 0.000001µF.

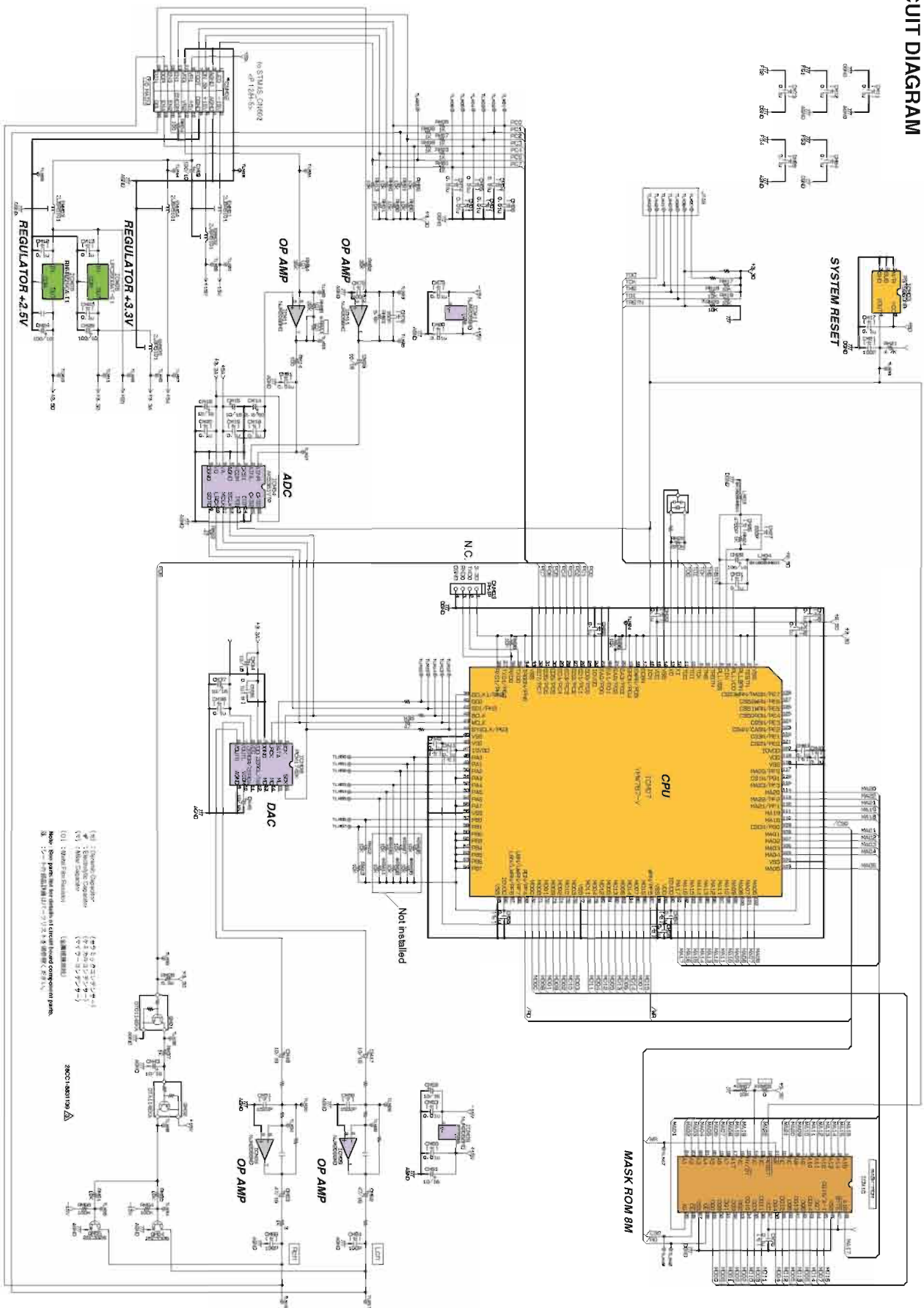
■ STMAS CIRCUIT DIAGRAM 4/4



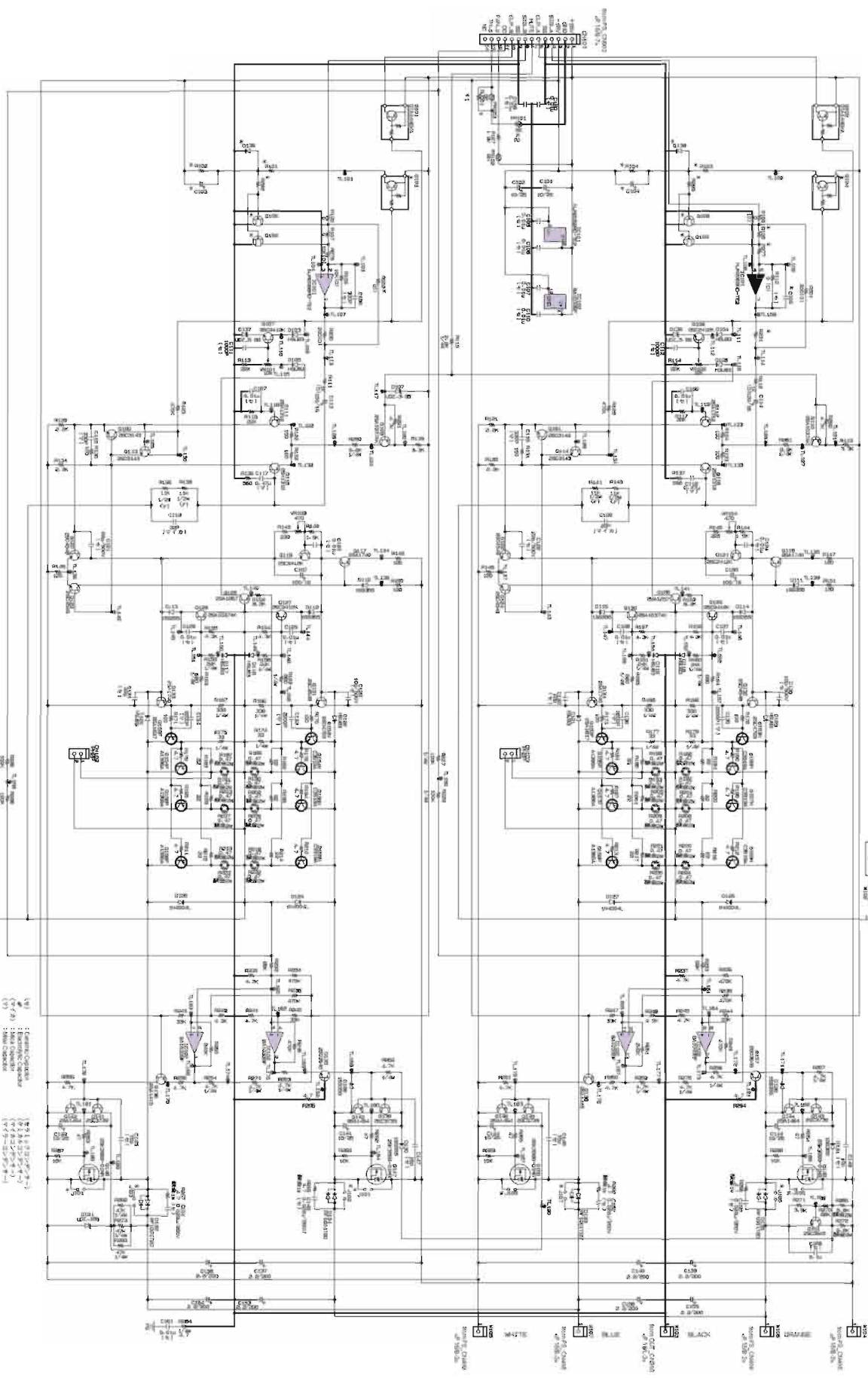
- (R) : Ceramic Capacitor (例: 100nF, 10nF, 10μF)
- (E) : Electrolytic Capacitor (例: 100μF, 10μF, 1μF)
- (V) : Film Capacitor (例: 0.1μF, 1μF, 10μF)
- (C) : Power Supply Connector (例: 2.54mm Pitch)
- (S) : Sensor/Actuator Connector (例: 2.54mm Pitch)
- (I) : IC (例: IC1, IC2, IC3, IC4, IC5, IC6, IC7, IC8, IC9, IC10, IC11, IC12, IC13, IC14, IC15, IC16, IC17, IC18, IC19, IC20, IC21, IC22, IC23, IC24, IC25, IC26, IC27, IC28, IC29, IC30, IC31, IC32, IC33, IC34, IC35, IC36, IC37, IC38, IC39, IC40, IC41, IC42, IC43, IC44, IC45, IC46, IC47, IC48, IC49, IC50, IC51, IC52, IC53, IC54, IC55, IC56, IC57, IC58, IC59, IC60, IC61, IC62, IC63, IC64, IC65, IC66, IC67, IC68, IC69, IC70, IC71, IC72, IC73, IC74, IC75, IC76, IC77, IC78, IC79, IC80, IC81, IC82, IC83, IC84, IC85, IC86, IC87, IC88, IC89, IC90, IC91, IC92, IC93, IC94, IC95, IC96, IC97, IC98, IC99, IC100)

2023/08/09/17/△

■ DSP CIRCUIT DIAGRAM



PA CIRCUIT DIAGRAM



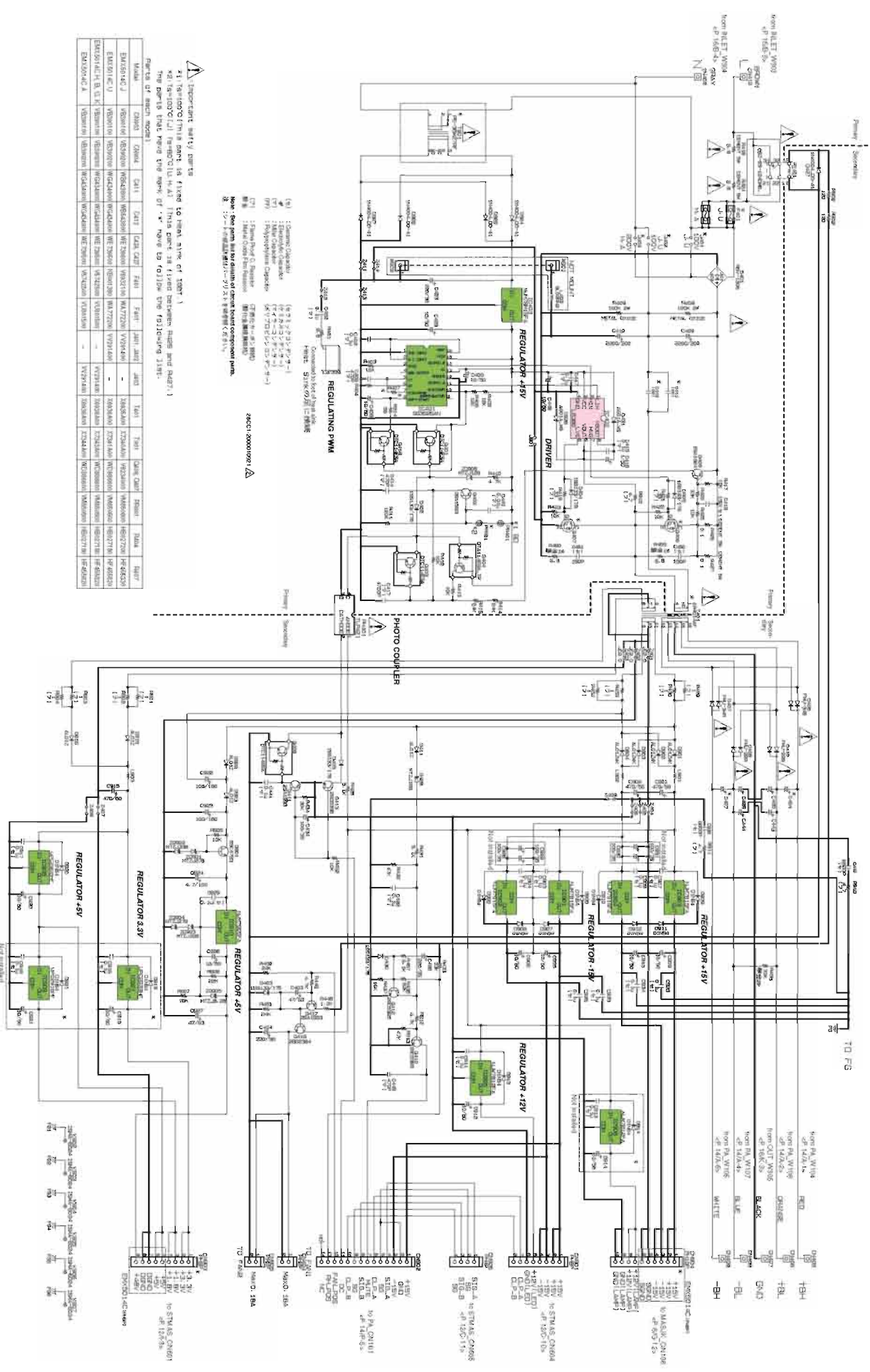
NOTE: PARTS LISTED IN THIS PART ARE LISTED TO FACILITATE REPAIR. PARTS LISTED IN THIS PART ARE LISTED TO FACILITATE REPAIR. PARTS LISTED IN THIS PART ARE LISTED TO FACILITATE REPAIR.

ACT1 YELLOW

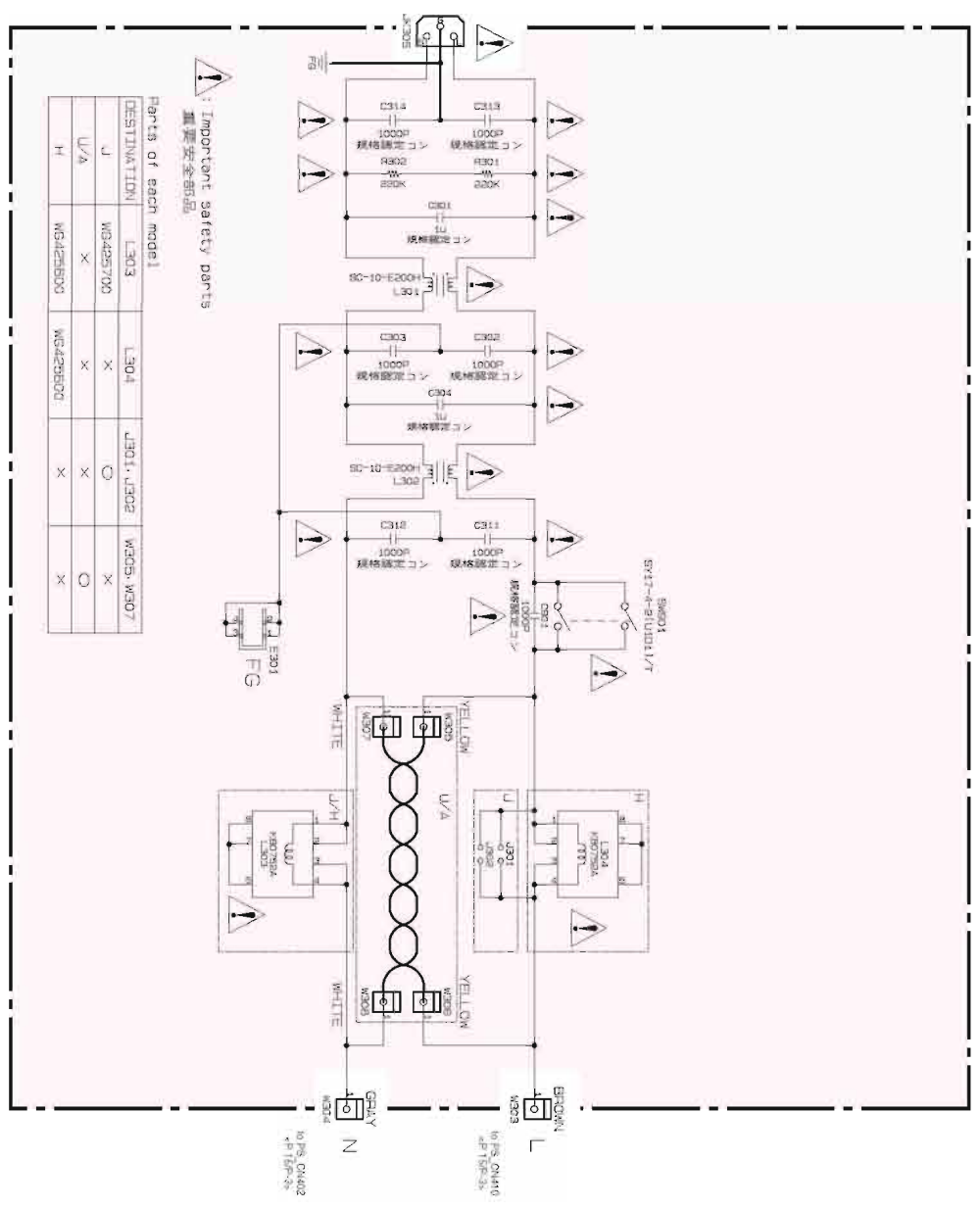
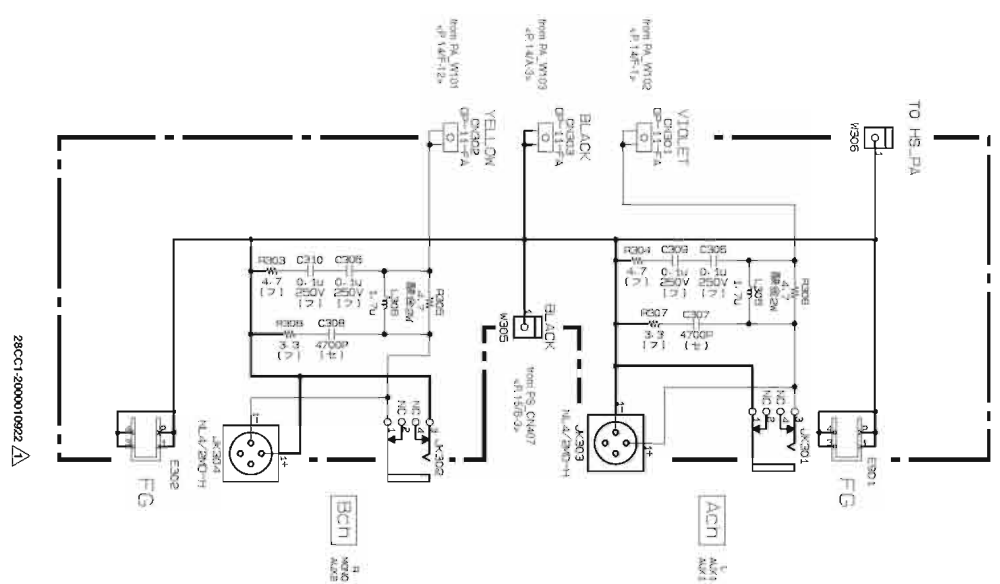
- (V) : Variable Component
- (*) : Standard Component
- (R) : Resistor
- (C) : Capacitor
- (D) : Diode
- (T) : Transistor
- (IC) : Integrated Circuit
- (S) : Switch
- (K) : Relay
- (M) : Motor
- (L) : Inductor
- (P) : Potentiometer
- (V) : Variable Component
- (*) : Standard Component
- (R) : Resistor
- (C) : Capacitor
- (D) : Diode
- (T) : Transistor
- (IC) : Integrated Circuit
- (S) : Switch
- (K) : Relay
- (M) : Motor
- (L) : Inductor
- (P) : Potentiometer

2021.09.09

PS CIRCUIT DIAGRAM



■ OUT & INLET CIRCUIT DIAGRAM



重要安全部品
重要安全部品

Parts of each model

| DESTINATION | L303 | L304 | J301, J302 | W303, W307 |
|-------------|----------|----------|------------|------------|
| J | WG425700 | X | ○ | X |
| U/A | X | X | X | ○ |
| H | WG425800 | WG426000 | X | X |

(ア) : 電解コンデンサ : Capacitor
 (キ) : セラミックコンデンサ : Ceramic Capacitor
 (ク) : フィルムコンデンサ : Film Capacitor
 (ケ) : プラスチックコンデンサ : Plastic Capacitor
 (コ) : 誘電体コンデンサ : Dielectric Capacitor
 (カ) : 電解抵抗 : Electrolytic Resistor
 (キ) : セラミック抵抗 : Ceramic Resistor
 (ク) : フィルム抵抗 : Film Resistor
 (ケ) : プラスチック抵抗 : Plastic Resistor
 (コ) : 誘電体抵抗 : Dielectric Resistor
 (カ) : 金属抵抗 : Metal Resistor
 (キ) : 酸化金属抵抗 : Oxidized Metal Resistor
 (ク) : プラスチック抵抗 : Plastic Resistor
 (ケ) : 酸化金属抵抗 : Oxidized Metal Resistor
 (コ) : プラスチック抵抗 : Plastic Resistor

Note : See parts list for details of circuit board component parts.
注 : シームの取付位置は「パーツリスト」を参照してください。

28CC1-2000010923